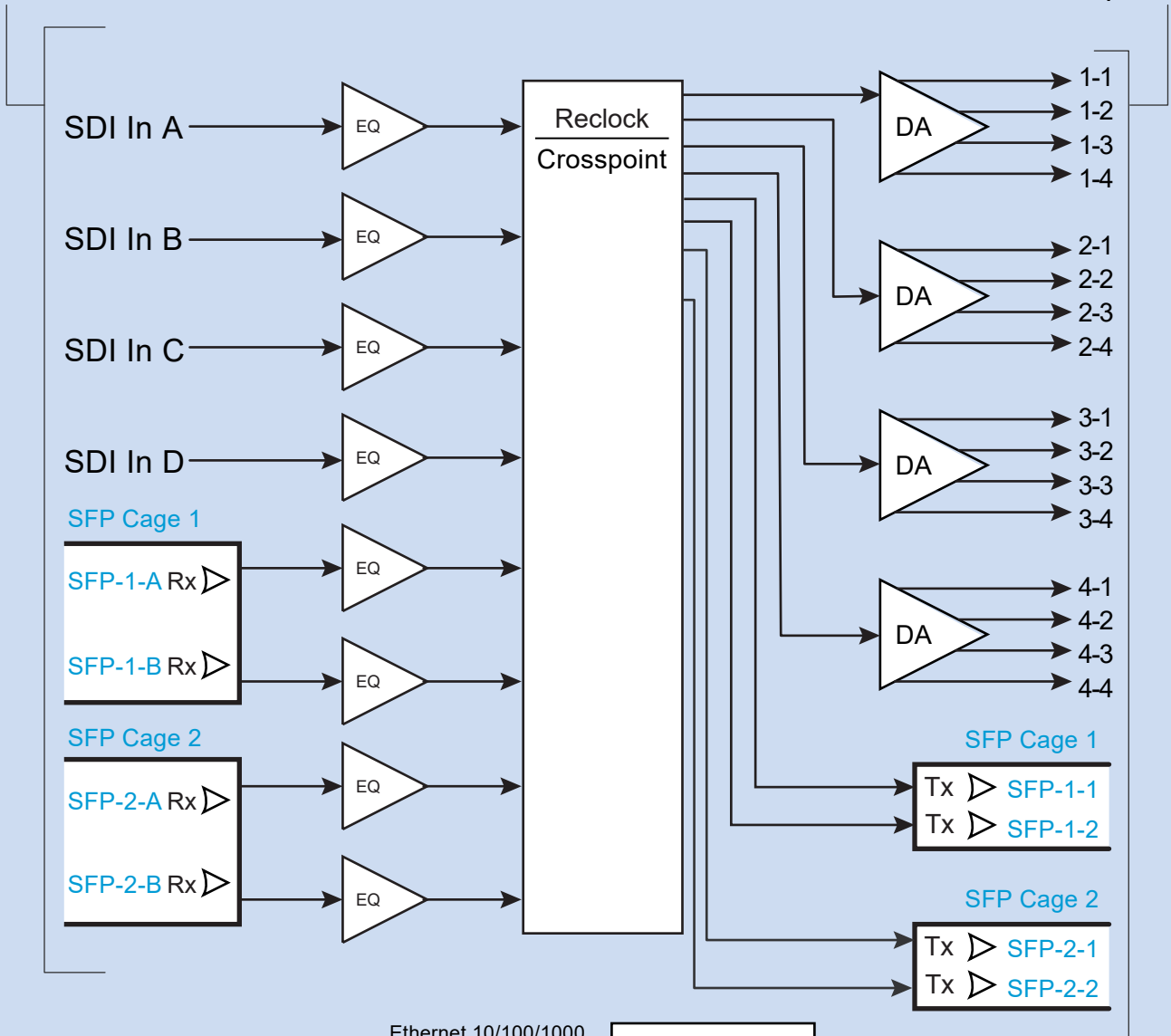


12G/6G/3G/HD/SD-SDI
Input

12G/6G/3G/HD/SD-SDI
Reclocked DA Outputs



this color denotes option

SFP I/O is available only with option -DA-SFP. SFP cages 1 and 2 can be used as Rx or Tx which is determined by SFP type fitment. See text for available SFP types and additional info.