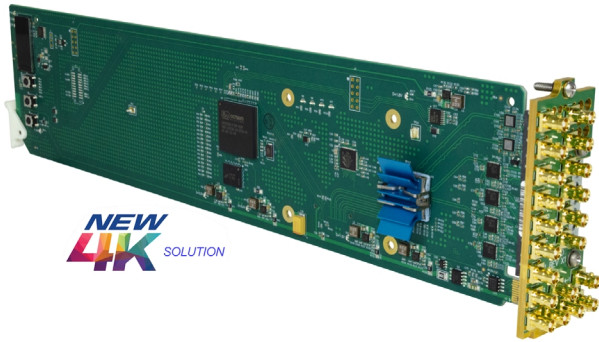


**9915DA-1x16-12G • 12G/6G/3G/HD/SD-SDI 1x16 Reclocking Distribution Amplifier**



The Cobalt® **9915DA-1x16-12G** 12G/6G/3G/HD/SD-SDI 1x16 Reclocking Distribution Amplifier supports an input channel which is distributed to 16 DA outputs. The 9915DA-1x16-12G also, as an option, can support an SFP-based fiber input and fiber DA outputs.

As demand for 4K continues to rise, distribution of 12G-SDI signals within a rackspace becomes increasingly important. The 9915DA-1x16-12G allows for copper runs of up to 45 meters, reaching most equipment within a rack room or truck.

Up to 10 of the 9915DA-1x16-12G cards can be installed in a frame to provide 10 channels of input, with distribution to up to 160 outputs. Full user DashBoard™ or Remote Control Panel remote control allows full status and control access locally or across a standard Ethernet network.

**FEATURES**

Full support of 12G/6G/3G/HD/SD-SDI and ASI/DVB

Supports all popular formats: 480i, 576i, 720p, 1080i, 1080pSF, 1080p

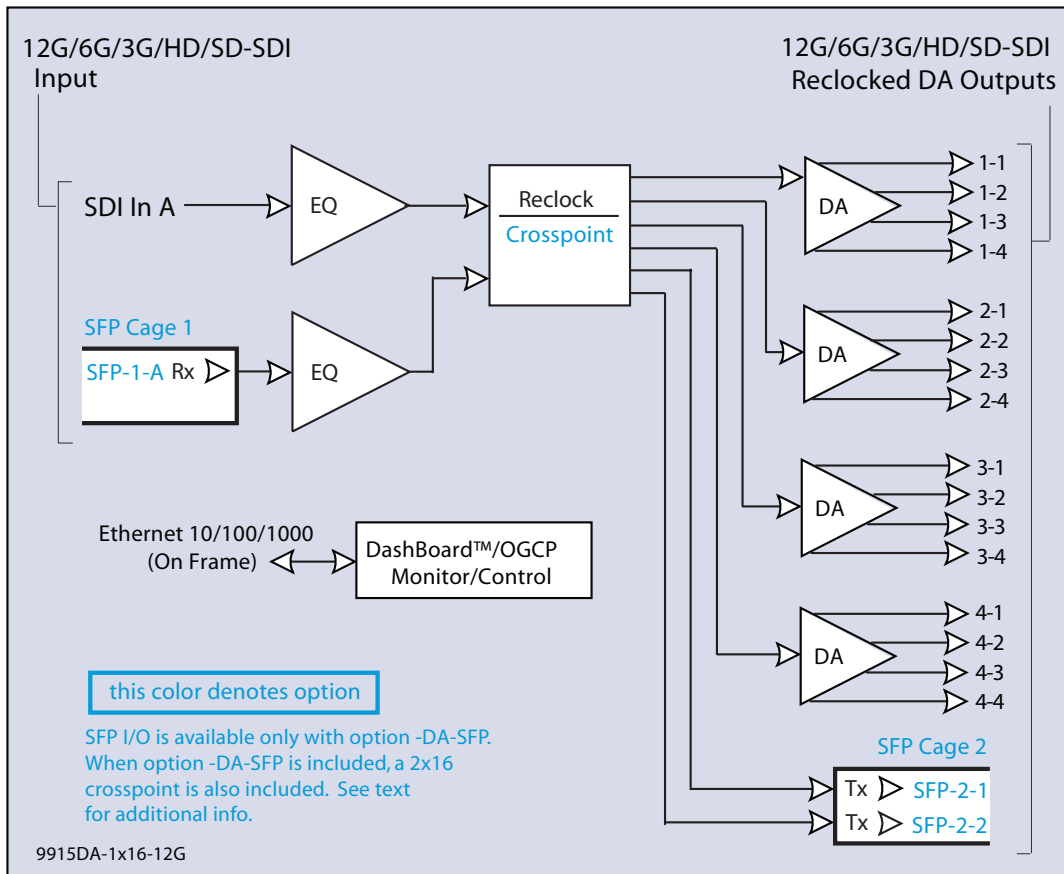
Input data rate auto-detection for all industry-standard data rates

One-card solution for distribution of 8K/4K content over 12G-SDI interfaces

Card display and DashBoard status input lock indicators

Hot-swappable

Five year warranty



# 9915DA-1x16-12G • 12G/6G/3G/HD/SD-SDI 1x16 Reclocking Distribution Amplifier

## OPTIONS

**-DA-SFP** Adds daughter card to support two externally-accessible SFP cages to the 9915DA-1x16-12G card

**Note:** When option -DA-SFP is included, a second input (fiber OE) is in turn added to the card. As such, this exposes a full 2x16 crosspoint that allows both the coax and fiber inputs to be independently and simultaneously routed to various card outputs.

**-SFP-OE-12G** SFP Optical UHD Single Receiver

**-SFP-EO** SFP Optical Single Transmitter

**-SFP-EO-CWDM** SFP Optical Single CWDM Transmitter (see Ordering Info for wavelengths and corresponding ordering codes)

**-SFP-EO-12G** SFP Optical UHD Single Transmitter

**-SFP-2EO** SFP Optical Dual Transmitter

**-SFP-2EO-CWDM** SFP Optical Dual CWDM Transmitter (see Ordering Info for wavelengths and corresponding ordering codes)

**-SFP-2EO-12G** SFP Optical UHD Dual Transmitter

**-SFP-H-TO-S** SFP HDMI-to-HD/SD-SDI Receiver

**-SFP-OE** SFP Optical Single Receiver

**-SFP-S-TO-H** SFP HD/SD-SDI-to-HDMI Transmitter

## SPECIFICATIONS

**Note:** All specifications are preliminary and subject to change. Inputs/outputs are a function of rear I/O module used.

### Power

< 10 Watts

### 12G / 6G / 3G / 1.5G / 270M Serial Digital Interface Input/Output

(1) 75Ω HDBNC Connector Input (max). (16) 75Ω HDBNC Connectors Output (max).  
SDI Formats Supported: SMPTE ST2082-1,10, 424M, 292M, SMPTE 259M-C. All inputs/outputs 12G compliant and SDQS/2SI quad 3G compliant.

### Coaxial Receive Performance (Cable Length; Belden 4694)

50m/70m/150m/180m (12G/6G/3G/HD)

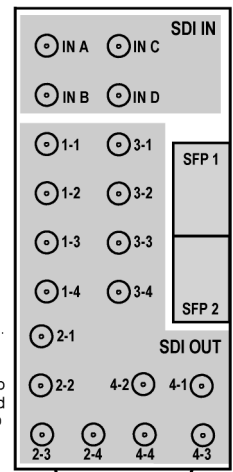
### Fiber Transmit Output (typ. with optional fiber Tx SFP)

LC connector Fiber Wavelength, Tx: 1310 nm  
Tx Power: -5.0 dBm (min)

### Fiber Receive Input (typ. with optional fiber Rx SFP)

LC connector  
Receive Sensitivity: -23 dBm; 1260 to 1620 nm

**Note:** On 9915DA-1x16-12G model, SFP cage 1 supports only Rx (OE) type SFPs. SFP cage 2 supports only Tx (EO) type SFPs. (See Ordering Information.)



### Notes:

1. (Applicable only where -SFP option are offered.) **SFP 1** and **SFP 2** details show SFP receptacle cage locations. SFP receptacle cage is included factory-installed on rear module (Plug-in SFP modules are available with respective options).

2. All four **SDI IN A** thru **SDI IN D** are functional only when mated to quad input card models. Dual and single card models omit **SDI IN D** as NC, and progressively omit **SDI IN C** and **SDI IN B** as NC.

**RM20-9915-A-HDBNC**

## ORDERING INFORMATION

**9915DA-1x16-12G** 12G/6G/3G/HD/SD-SDI 1x16 Reclocking Distribution Amplifier

### Rear Modules:

**RM20-9915-A-HDBNC** 20-Slot Frame Rear I/O Module (Standard Width) (1) 12G/6G/3G/HD/SD-SDI Input (IN B thru IN D NC), (16) 12G/6G/3G/HD/SD-SDI Outputs (all coaxial connectors HD-BNC)

**Note:** SFP modules, when inserted into rear module SFP receptacles, can dimensionally extend past the right "boundary" of the rear module. In rare cases, this can present interference issues if a rear module to the right of SFP rear module also has adjacent large-footprint connectors that can extend across the rear module boundary. Plan frame buildout accordingly in these cases.

## 9915DA-1x16-12G • 12G/6G/3G/HD/SD-SDI 1x16 Reclocking Distribution Amplifier

### ORDERING INFORMATION – cont.

#### Options (Hardware-based):

**-DA-SFP** Adds daughter card to support two externally-accessible SFP cages to the 9915DA-1x16-XPT-12G card

**Note:** When option **-DA-SFP** is included, a second input (fiber OE) is in turn added to the card. As such, this exposes a full 2x16 crosspoint that allows both the coax and fiber inputs to be independently and simultaneously routed to various card outputs.

**-SFP-OE-12G** 12G/6G/3G/HD/SD-SDI UHD Single Receiver SFP Module; 1260 nm - 1620 nm; type LC connector

**-SFP-EO-12G** 12G/6G/3G/HD/SD-SDI UHD Single Transmitter SFP Module; 1310 nm; type LC connector

**-SFP-2EO-12G** 12G/6G/3G/HD/SD-SDI UHD Dual Transmitter SFP Module; 1310 nm; type LC connector

**-SFP-OE** 3G/HD/SD-SDI Single Receiver SFP Module; 1260 nm - 1620 nm; type LC connector

**-SFP-EO** 3G/HD/SD-SDI Single Transmitter SFP Module; 1310 nm; type LC connector

**-SFP-2EO** 3G/HD/SD-SDI Dual Transmitter SFP Module; 1310 nm; type LC connectors

**-SFP-H-T0-S** HDMI-to-HD/SD-SDI Receiver SFP Module

**-SFP-S-T0-H** SFP HD/SD-SDI-to-HDMI Transmitter SFP Module

**-SFP-EO-CWDM-WX** Single CWDM Transmitter SFP Module; type LC connector

**-SFP-2EO-CWDM-WX** Dual CWDM Transmitter SFP Module; type LC connectors

Use fiber wavelength codes below for CWDM SFPs when ordering. Available wavelengths (in nm) are as follows: 1270, 1290, 1310, 1330, 1350, 1370, 1390, 1410, 1430, 1450, 1470, 1490, 1510, 1530, 1550, 1570, 1590, 1610. In "WX" places in part number, substitute code for wavelengths in each place as listed below:

-27: 1270nm	-29: 1290nm	-31: 1310nm
-33: 1330nm	-35: 1350nm	-37: 1370nm
-39: 1390nm	-41: 1410nm	-43: 1430nm
-45: 1450nm	-47: 1470nm	-49: 1490nm
-51: 1510nm	-53: 1530nm	-55: 1550nm
-57: 1570nm	-59: 1590nm	-61: 1610nm

(Example: -SFP-EO-CWDM-27 has 1270 nm Tx wavelength)