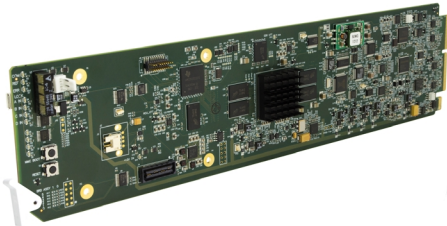


9923-DSK-LG • 3G/HD/SD-SDI Downstream Keyer with Dual Key/Fill Paths and Logo Insertion



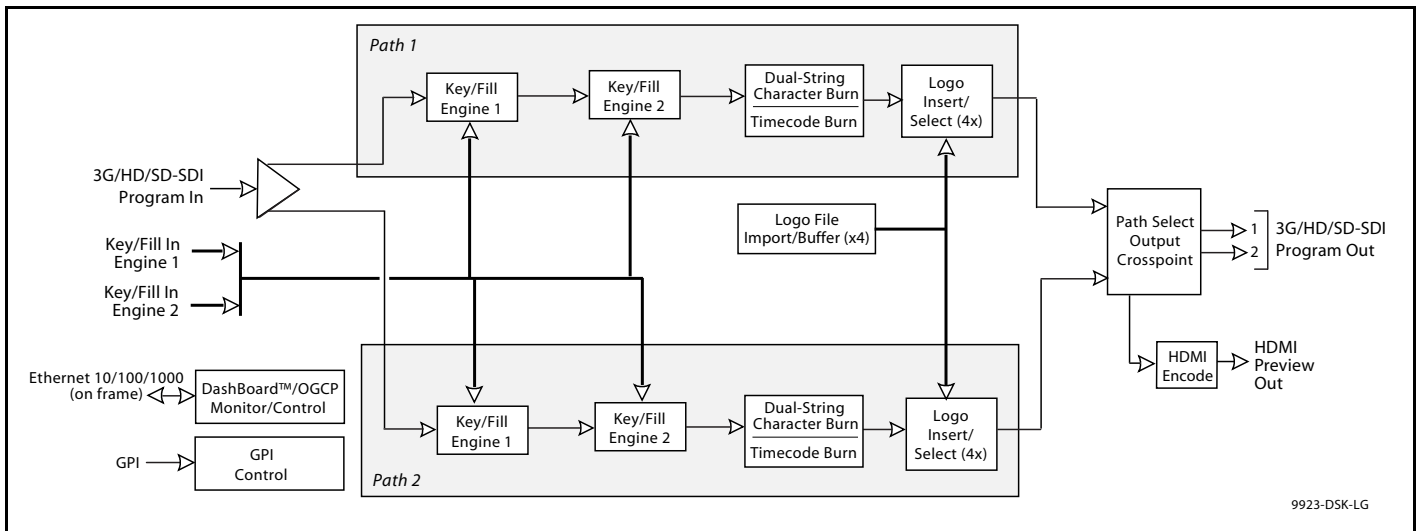
The Cobalt® 9923-DSK-LG 3G/HD/SD-SDI Downstream Keyer with Dual Key/Fill Paths and Logo Insertion card provides flexible SDI downstream keying and logo insertion. The single program video input can be directed to either or both of two key/fill/logo insertion paths, allowing changing from one key/fill/insertion scheme to another in an instant. The openGear® form factor card can also store up to four logo graphic files which can be flexibly inserted into either key/fill path. Two key/fill paths can be outputted simultaneously, with each path using uniquely different key/fill and logo insertions as desired. For each path, two discrete character burn strings and timecode can be inserted on output video.

The 9923-DSK-LG is a perfect solution for flexible multi-market program branding and keyed character generator crawl insertion.

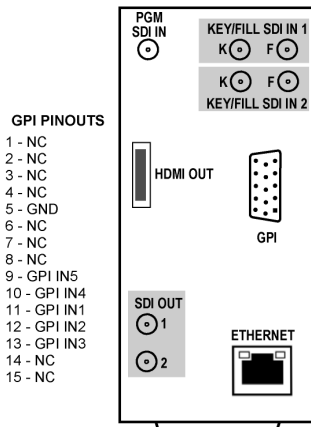
FEATURES

- Dual independent key/fill engines and two processing paths allow changing from one key/fill/insertion scheme to another in an instant.
- On-card memory stores logo/ID bug graphic files, with independent logo insertion on each key/fill path
- Supports 3G/HD/SD-SDI inputs as program and key/fill
- Convenient HDMI Preview Output allows preview of path 1 or path 2 outputs

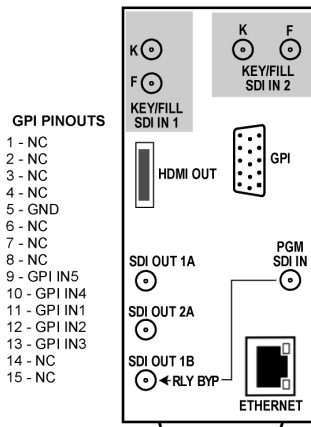
- Per-path dual independent burn-in text string and timecode insertion
- Remote control/monitoring via Dashboard™ remote control and GPI
- High-density openGear form factor – up to 10 cards per 20-slot frame
- Five year warranty



9923-DSK-LG



RM20-9923-DSK-LG-C-DIN
RM20-9923-DSK-LG-C-HDBNC



RM20-9923-DSK-LG-E-DIN
RM20-9923-DSK-LG-E-HDBNC



9923-DSK-LG • 3G/HD/SD-SDI Downstream Keyer with Dual Key/Fill Paths and Logo Insertion

SPECIFICATIONS

Power

< 18 Watts

Video Input/Outputs

Video Inputs: (1) 3G/HD/SD-SDI Program Video SDI In; (2) 3G/HD/SD-SDI Key/Fill pair SDI In; all 75Ω

SDI Outputs: (2) 3G/HD/SD-SDI Program Video + Key/Fill SDI Out; 75Ω

HDMI Output: (1) HDMI output/preview (video only)

Formats Supported: SMPTE 259M, SMPTE 292M, SMPTE 424M

Receive Cable Length: 3G/HD/SD: 120/180/320 m (Belden 1694A)

Return Loss: >15 dB up to 1.485 GHz; >10 dB up to 2.970 GHz

Alignment Jitter: 3G/HD/SD: < 0.3/0.2/0.2 UI

Audio Output

16-ch embedded

ORDERING INFORMATION

9923-DSK-LG 3G/HD/SD-SDI Downstream Keyer with Dual Key/Fill Paths and Logo Insertion

RM20-9923-DSK-LG-C-DIN 20-Slot Frame Rear I/O Module (Standard Width) (1) 3G/HD/SD-SDI Program Video Input, (4) 3G/HD/SD-SDI Key/Fill Video Inputs (2 key/fill pairs), (2) 3G/HD/SD-SDI Program Video Outputs (user selectable as path 1 or path 2 key/fill program outputs), (1) HDMI/DVI Preview Output, (1) GPIO Port (HD-15), Ethernet Port (all coaxial connectors DIN1.0/2.3)

RM20-9923-DSK-LG-C-HDBNC 20-Slot Frame Rear I/O Module (Standard Width) (1) 3G/HD/SD-SDI Program Video Input, (4) 3G/HD/SD-SDI Key/Fill Video Inputs (2 key/fill pairs), (2) 3G/HD/SD-SDI Program Video Outputs (user selectable as path 1 or path 2 key/fill program outputs), (1) HDMI/DVI Preview Output, (1) GPIO Port (HD-15), Ethernet Port (all coaxial connectors HD-BNC)

RM20-9923-DSK-LG-E-DIN 20-Slot Frame Rear I/O Module (Standard Width) (1) 3G/HD/SD-SDI Program Video Input (relay protected), (4) 3G/HD/SD-SDI Key/Fill Video Inputs (2 key/fill pairs), (3) 3G/HD/SD-SDI Program Video Outputs (user selectable as path 1 or path 2 key/fill program outputs; 1 with relay bypass protect), (1) HDMI/DVI Preview Output, (1) GPIO Port (HD-15), Ethernet Port (all coaxial connectors DIN1.0/2.3)

RM20-9923-DSK-LG-E-HDBNC 20-Slot Frame Rear I/O Module (Standard Width) (1) 3G/HD/SD-SDI Program Video Input (relay protected), (4) 3G/HD/SD-SDI Key/Fill Video Inputs (2 key/fill pairs), (3) 3G/HD/SD-SDI Program Video Outputs (user selectable as path 1 or path 2 key/fill program outputs; 1 with relay bypass protect), (1) HDMI/DVI Preview Output, (1) GPIO Port (HD-15), Ethernet Port (all coaxial connectors HD-BNC)