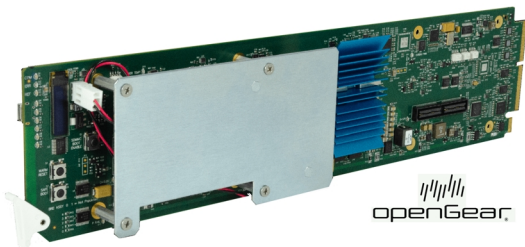


9927-2StoH • 3G/HD/SD Dual-Channel openGear® SDI-To-HDMI Converter with Per-Channel Frame Sync



The **9927-2StoH 3G/HD/SD Dual-Channel openGear® SDI-To-HDMI Converter** with Per-Channel Frame Sync provides two independent paths of true 3G and HD conversions from SMPTE 424M, 292M, or 259M SDI to HDMI. Each path is equipped with frame sync as well as full input and output audio crosspoints and optional per-path color correction. Input and output SDI and HDMI crosspoints allow program sourcing and distribution across either of the two SDI inputs and two HDMI outputs.

In existing openGear® installations, the dual-channel capacity of 9927-2StoH can save space and lend to installation integrity over using throwdown devices. Preset save/load allows saving custom card settings while allowing instant revert to factory settings. Layered presets allow invoking changes related only to a specific area of concern (audio routing, for example) while not changing any other processing settings or aspects. Full user DashBoard™ or Remote Control Panel remote control allows full status and control access locally or across a standard Ethernet network.

FEATURES

Supports all popular formats: 480i, 576i, 720p, 1080i, 1080p

Two independent SDI-to-HDMI processing paths on a single openGear® cards neatly integrates high capacity in openGear® environments

Each path equipped with frame sync with configurable manual or LOS-detect insertion of frozen frame or selectable-color flat-field. Optional per-path color correction.

Full input and output audio crosspoints, including independent flex mix, stereo downmixers, and audio delay functions

Remote control/monitoring via DashBoard™ software or OGCP-9000 Remote Control Panel

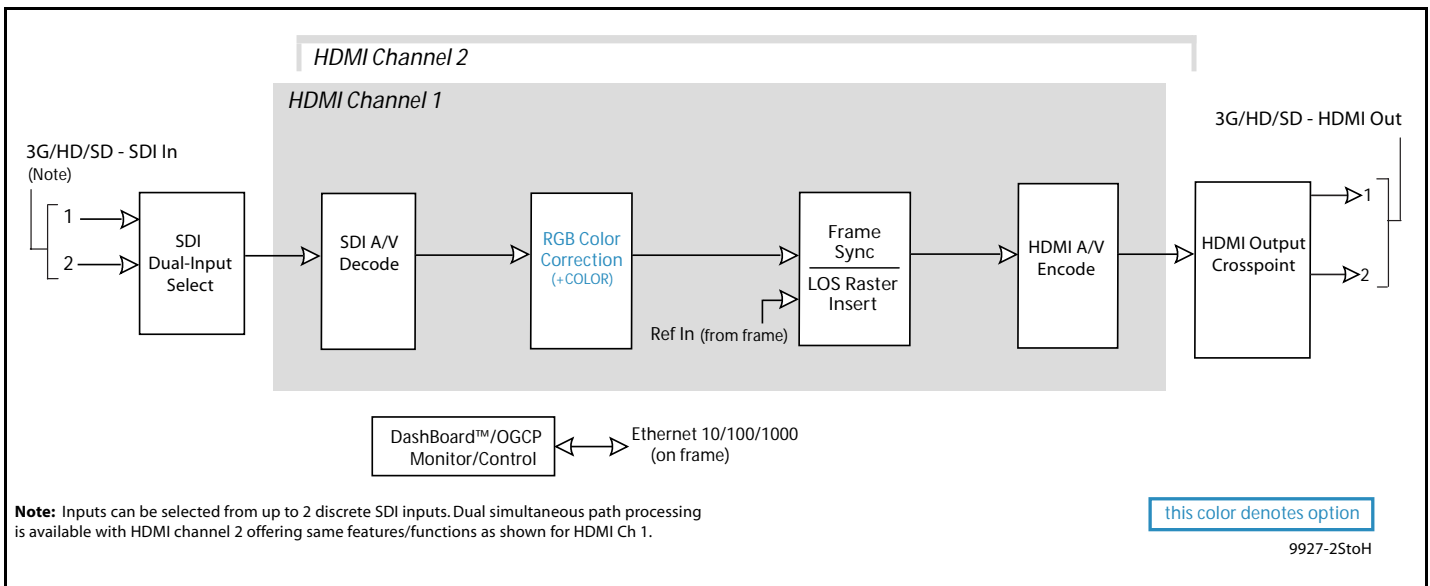
Hot-swappable

Make 9927-2StoH into a standalone unit by using 9927-2StoH with our **BBG-1300-FR** 1RU Enclosure for openGear® Cards standalone enclosure

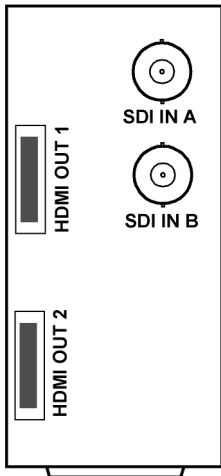
Five year warranty

OPTIONS

Color Correction (+COLOR) – Provides full RGB color corrector (offset, gain, gamma) with extended YCbCr proc controls with white hard clip, white soft clip, black hard clip, and saturation clip.



9927-2StoH • 3G/HD/SD Dual-Channel openGear® SDI-To-HDMI Converter with Per-Channel Frame Sync



RM20-9927-B-HDBNC

Note: Due to the alignment of the 9927-2StoH card and this rear module, the combination of the card and rear module will consume the adjacent even frame slot in addition to the odd slot occupied by the card.

Note: Mates to card in **odd** slot.

SPECIFICATIONS

Note: All specifications are preliminary and subject to change.

Power

37 Watts

Standards Supported

SMPTE 259M, 292M, 424M
(10-bit video processing)

3G/HD/SD-SDI Inputs

(2) 75Ω inputs

HDMI Outputs

(2) HDMI 2.0; Type A (standard) connectors

Frame Sync Audio/Video Delay

Max offset: 20 frames
Latency (min): 1 frame

User Audio Delay Offset from Video

Bulk delay control: -33 msec to +3000 msec.
Per-channel delay controls: -800 msec to +800 msec

Frame Reference Input

(2) reference from frame bus. SMPTE 170M/318M "Black Burst", SMPTE 274M/296M "Tri-Level"

Note: Per-path frame reference offers independent per-path controls (such as video delay offset). However, all paths must be locked to the same selected reference selection (e.g., frame REF 2 used for each path).

ORDERING INFORMATION

9927-2StoH 3G/HD/SD Dual-Channel openGear® SDI-To-HDMI Converter with Per-Channel Frame Sync

Rear Modules:

RM20-9927-B 20-Slot Frame Rear I/O Module (Standard-Width) (2) 3G/HD/SD/SD-SDI Inputs, (2) HDMI 2.0 Outputs (Type A (standard) connectors), (All coaxial connectors BNC.) (**Note:** Mates to card in odd frame slot.)

Options:

Note: Options denoted as "+" are **software-based** options which are available on new product when ordered or can be customer field-installed as a software upload upgrade. Unless otherwise noted, software options are per-card based. Options which are **per-path** based are identified as such.

+COLOR Color Correction Option (**per-path** based)