

**9930ADC-AES75-RG • 75-Ohm (Unbalanced) 4-Channel Analog-To-2-Pair AES Audio Converter with Remote Gain Control**



The **9930ADC-AES75-RG 75-Ohm (Unbalanced) 4-Channel Analog-To-2-Pair AES Audio Converter with Remote Gain Control** is a broadcast-quality Analog-To-Digital Converter (ADC) that converts four professional-level balanced analog audio inputs to a pair of AES-3id outputs. Each AES output is available over a 2x1 distribution amplifier.

The 9930ADC-AES75-RG supports audio sampling frequencies from 32kHz to 96kHz using AES (DARS) reference, video black reference, or 48kHz internal reference (the AES sampling rate is determined by the reference selected). The 9930ADC-AES75-RG supports full 24 dBu input levels for outputs up to 0 dBFS digital.

A built-in DSP allows mono-mix and L/R-only outputs. Input sensitivity trim for both pairs of analog inputs allows the input ADC to be tailored to professional as well as consumer levels, thereby maximizing ADC performance for any input level.

The space-saving design and very low power consumption of the 9930ADC-AES75-RG provides for high density installation.

**FEATURES**

- High-density design accommodates two analog input pairs

---

- 2x1 DA outputs provided for each AES output

---

- Full remote control of operating mode and input sensitivity control

---

- Convenient input sensitivity trim optimizes ADC performance for various input levels. Control available via DIP or remote control

---

- Multiple DSP modes - stereo/pass-thru, mono mix, L/R only outputs

- Supports audio sampling frequencies from 32 kHz to 96 kHz

---

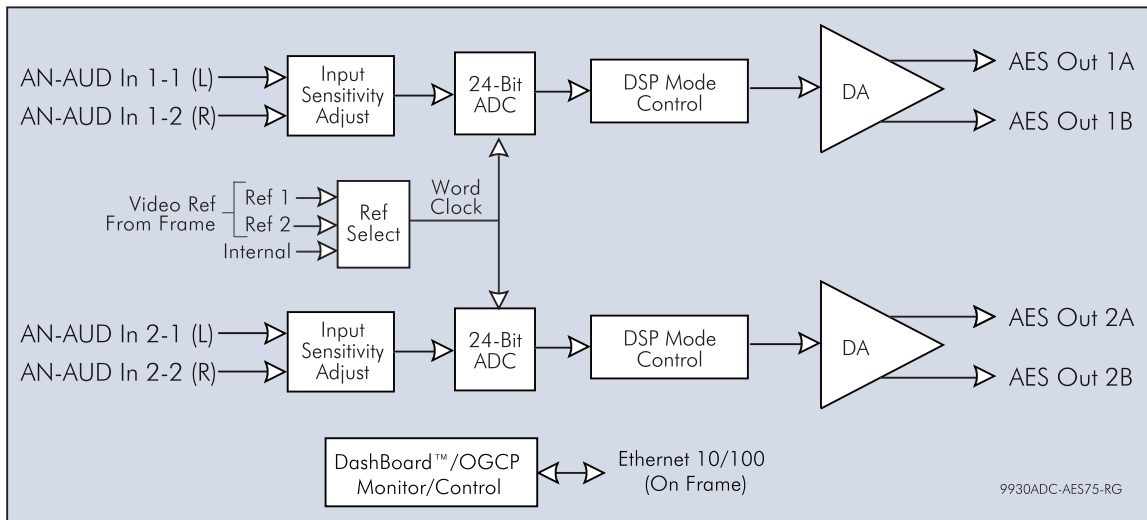
- Selectable card switch control or DashBoard™ remote control (usable with DashBoard™ and Cobalt OGCP-9000 remote control panels)

---

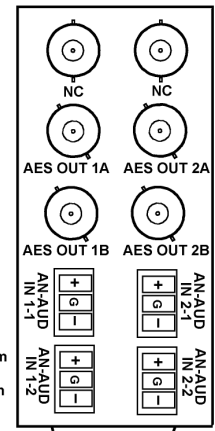
- Hot-swappable

---

- Five year warranty



9930ADC-AES75-RG



Note: • -1 and -2 analog audio inputs correlate to stereo designations L and R, respectively.  
 • + G - orientation on connectors varies from that on other Cobalt products. Make certain connections are as shown here.

RM20-9930ADC75-B



# 9930ADC-AES75-RG • 75-Ohm (Unbalanced) 4-Channel Analog-To-2-Pair AES Audio Converter with Remote Gain Control

## SPECIFICATIONS

Note: Inputs/outputs are a function in some cases of rear I/O module used.

### Power

< 3.8 Watts

### Analog Audio Inputs

Number of Inputs: (4; 2 stereo pairs), balanced  
 Impedance: >20 k $\Omega$   
 Nominal Input Level: +4 dB  
 Connector Type: WECO® 3-pin removable

### Reference Input

Signal (from frame): REF 1, REF 2 supplying AES3-id, DARS, or Video Black ref  
 Internal Reference: 48 kHz

### Performance

Quantization: 24-bit  
 Frequency Response:  $\pm 0.5$  dB (20 Hz to 20 kHz)  
 Jitter: <5 ns  
 S/N: -114 dB unweighted  
 S/N (at -20 dBFS): -118 dB ("A" weighted)  
 THD+N: <-110 dB (0.002%)  
 Separation: >100 dB

### AES Outputs

Number of Outputs: (4; two 1x2 DA), unbalanced AES-3id BNC (available as stereo, pass-thru, mono-mixed, or L/R only)  
 Impedance: 75  $\Omega$   
 Return Loss: -25 dB  
 Sample Freq. Range: 32 kHz to 69 kHz (per ref received)  
 Rise/Fall Times: 30 ns  
 Output Level: 1.0 V<sub>p-p</sub>  $\pm 10\%$

## ORDERING INFORMATION

**9930ADC-AES75-RG** 75-Ohm (Unbalanced) 4-Channel Analog-To-2-Pair AES Audio Converter with Remote Gain Control

**RM20-9930ADC75-B** 20-Slot Frame Rear I/O Module (Standard Width) (4) Balanced Analog Audio In, (4) AES Audio Out BNCs (two 2x1 DA)