

9930DAC-AES75-RG • 75-Ohm (Unbalanced) 2-Pair AES-To-4-Channel Analog Audio Converter with Remote Gain Control



The **9930DAC-AES75-RG 75-Ohm (Unbalanced) 2-Pair AES-To-4-Channel Analog Audio Converter with Remote Gain Control** is a broadcast-quality AES Digital-To-Analog Converter (DAC) that provides four professional-level balanced analog audio outputs. It also provides a 2x1 reclocked distribution amplifier for each AES input channel.

The 9930DAC-AES75-RG supports audio sampling frequencies from 32kHz to 96kHz. Cable equalization and reclocking techniques enable the 9930DAC-AES75-RG to recover the incoming digital audio signal reliably.

A built-in DSP allows mono-mix and L/R-only outputs. The DSP attenuation function allows overall gain (stereo ganged) trim (offset) via DashBoard™ remote control.

The space-saving design and very low power consumption of the 9930DAC-AES75-RG provides for high density installation.

FEATURES

High-density design accommodates two AES inputs, allowing up to four analog outputs

Also provides 2x1 reclocked DA outputs for each AES input

Full remote control of operating mode and gain control

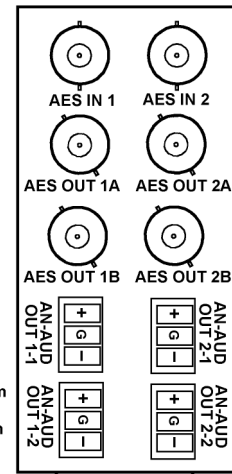
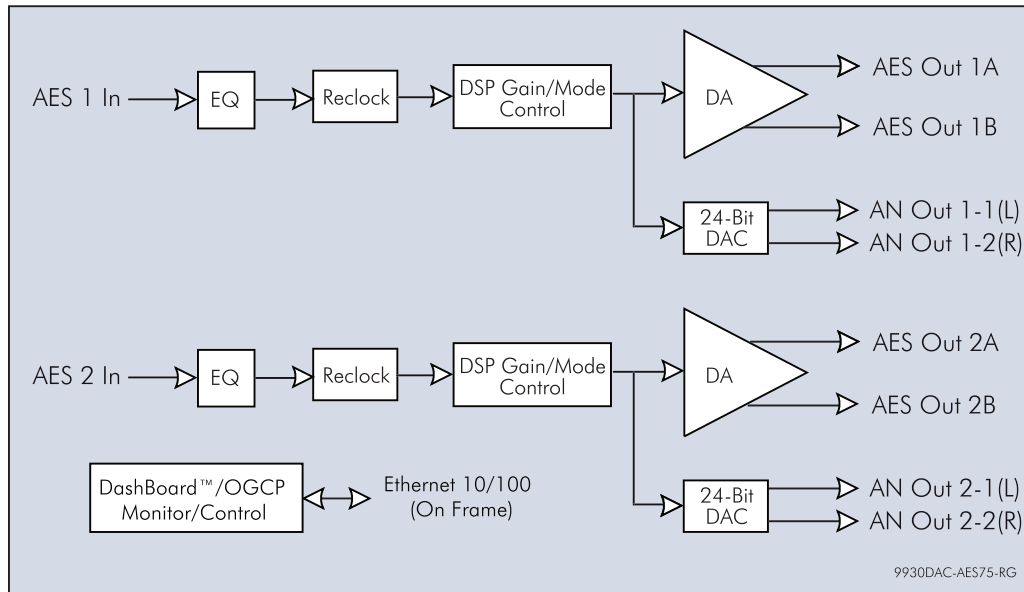
Multiple DSP modes - stereo/pass-thru, mono mix, L/R only outputs

Supports audio sampling frequencies from 32 kHz to 96 kHz

Convenient DSP gain trim via DIP or remote control

Selectable card switch control or DashBoard™ remote control (usable with DashBoard™ and Cobalt OGCP-9000 remote control panels)

Five year warranty



Note: • -1 and -2 analog audio outputs correlate to stereo designations L and R, respectively.
 • + G - orientation on connectors varies from that on other Cobalt products. Make certain connections are as shown here.

RM20-9930DAC75-B



9930DAC-AES75-RG • 75-Ohm (Unbalanced) 2-Pair AES-To-4-Channel Analog Audio Converter with Remote Gain Control

SPECIFICATIONS

Note: Inputs/outputs are a function in some cases of rear I/O module used.

Power

< 7.5 Watts

AES Input

Number of Inputs: (2), unbalanced AES-3id BNC

Impedance: 75 Ω

Input Level: 0.2 - 7 Vp-p

Performance

Sampling Rates: 32 kHz to 96 kHz

Resolution: 24-bit

Jitter: < 5 ns

Analog Output

Number of Outputs: (4) max (two stereo pairs). Available as stereo, mono-mixed, or L/R only.

Connector Type: WECO® removable 3-pin modular

Impedance: 60 Ω balanced

Maximum Output Level: +24 dBu

Frequency Response: ± 0.2 dB, 20 Hz to 20 kHz

Noise (unweighted): -86 dBu, 20 Hz to 20 kHz

THD+N: < 0.02%

Stereo Separation: >90 dB (20 Hz to 20 kHz)

ORDERING INFORMATION

9930DAC-AES75-RG 75-Ohm (Unbalanced) 2-Pair AES-To-4-Channel Analog Audio Converter with Remote Gain Control

RM20-9930DAC75-B 20-Slot Frame Rear I/O Module (Standard Width) (2) AES Audio In BNCs, (4) Reclocked AES Audio Out BNCs, (4) Balanced Analog Audio Out