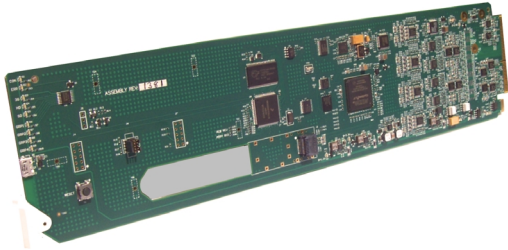


# 9933-EMDE-ADDA • 3G/HD/SD-SDI 16-Channel AES / 8-Channel Analog Audio Embedder / De-Embedder



The Cobalt® **9933-EMDE-ADDA 3G/HD/SD-SDI 16-Channel AES / 8-Channel Analog Audio Embedder / De-Embedder** offers full-flexibility AES and analog audio embedding/de-embedding in a basic, economical, high-efficiency openGear® card.

The 9933-EMDE-ADDA provides full 16-channel embed / de-embed between AES, 8-channel analog audio, and all four groups of embedded audio. Audio embed adaptive SRC allows asynchronous 48 kHz AES audio to automatically sync with program video 48 kHz timing for glitch-free embedding. Individual, per-pair SRC auto-detects and disables SRC when a Dolby pair is detected on an input pair. Analog embed/de-embed conforms with professional balanced audio at 0 dBFS to pro 24 dBu levels using full 24-bit conversion.

Full audio crosspoint allows per-channel gain and routing controls, as well as built-in tone generators.

Full user DashBoard™ or Remote Control Panel remote control allows full status and control access locally or across a standard Ethernet network.

## FEATURES

16-channel AES support and 8-channel analog audio support in one card. Individual per-pair embedding or de-embedding. Provides four-group SDI embed/de-embed and cross-conversions between analog and AES discrete audio.

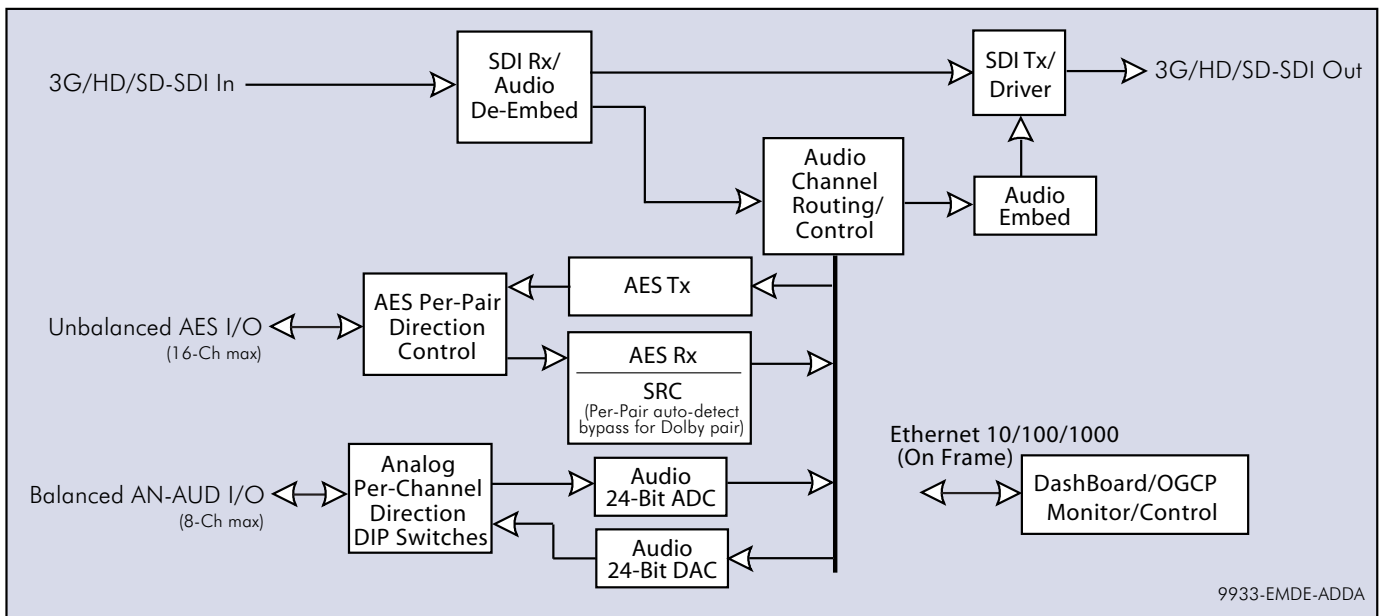
DashBoard™ status display, audio meters, tone generators. GUI audio meters provide ready assessment of content presence and line-up.

Audio embed adaptive SRC allows asynchronous 48 kHz AES audio to automatically sync with video 48 kHz timing for glitch-free embedding. Individual, per-pair SRC auto-detects and disables SRC when a Dolby pair is detected on an input pair.

Low-power/high-density design – less than 18 Watts per card

Remote control/monitoring via DashBoard™ software or OGCP-9000 remote control panels

Five year warranty



# 9933-EMDE-ADDA • 3G/HD/SD-SDI 16-Channel AES / 8-Channel Analog Audio Embedder / De-Embedder

## SPECIFICATIONS

Note: Inputs/outputs are a function in some cases of rear I/O module used.

### Power

<18 Watts

### SDI Inputs/Outputs

(1) 75Ω BNC input

(1) 75Ω BNC output

SDI Receive Cable Length (1694A): 120m/180m/360m (3G/HD/SD)

SDI Return Loss: >15 dB up to 1.485 GHz; >10 dB up to 2.970 GHz

Note: SDI Return loss and receive cable length are affected by rear I/O module used. Specifications represent typical performance.

Alignment Jitter: 3G/HD/SD: < 0.3/0.2/0.2 UI

Timing Jitter: 3G/HD/SD: < 2.0/1.0/0.2 UI

SDI Formats Supported: SMPTE 259M, SMPTE 292M, SMPTE 424M

### Audio Conversion Format

48 kHz sampling, 24-bit. Auto-SRC bypass for Dolby inputs. Analog audio I/O conforms to +24 dBu <=> 0 dBFS.

### Analog Audio Specifications

Input Impedance: >10 kΩ

Reference Level: -20 dBFS

Nominal Level: +4 dBu

Input Clip Level: +24 dBu (0 dBFS)

Freq. Response: ±0.2 dB (20 Hz to 20 kHz)

SNR: 115 dB (A weighted)

THD+N: -96 dB (20 Hz to 10 kHz)

Crosstalk: -106 dB (20 Hz to 20 kHz)

Output Impedance: < 50 Ω

Max. Output Level: +24 dBu (0 dBFS)

### Discrete Audio Input/Output

(8) Unbalanced AES (AES-3id; 75Ω) with per-pair port direction controls

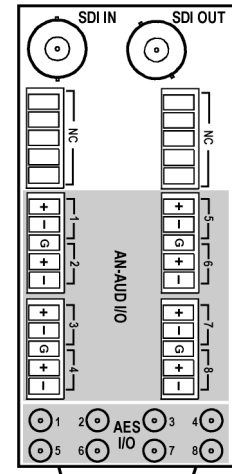
(8) Balanced Analog Audio with per-channel port direction switches

## ORDERING INFORMATION

**9933-EMDE-ADDA** 3G/HD/SD-SDI 16-Channel AES / 8-Channel Analog Audio Embedder / De-Embedder

**RM20-9933EMDE-B-DIN** 20-Slot Frame Rear I/O Module (Standard Width) (1) 3G/HD/SD-SDI Input BNC, (1) 3G/HD/SD-SDI Output BNC, (2) COMM I/O, (8) Balanced Analog Audio I/O, 8 Unbalanced AES I/O (coaxial; DIN 1.0/2.3)

**RM20-9933EMDE-B-HDBNC** 20-Slot Frame Rear I/O Module (Standard Width) (1) 3G/HD/SD-SDI Input BNC, (1) 3G/HD/SD-SDI Output BNC, (8) Balanced Analog Audio I/O, 8 Unbalanced AES I/O (coaxial; HD-BNC)



**RM20-9933EMDE-B-DIN**  
**RM20-9933EMDE-B-HDBNC**