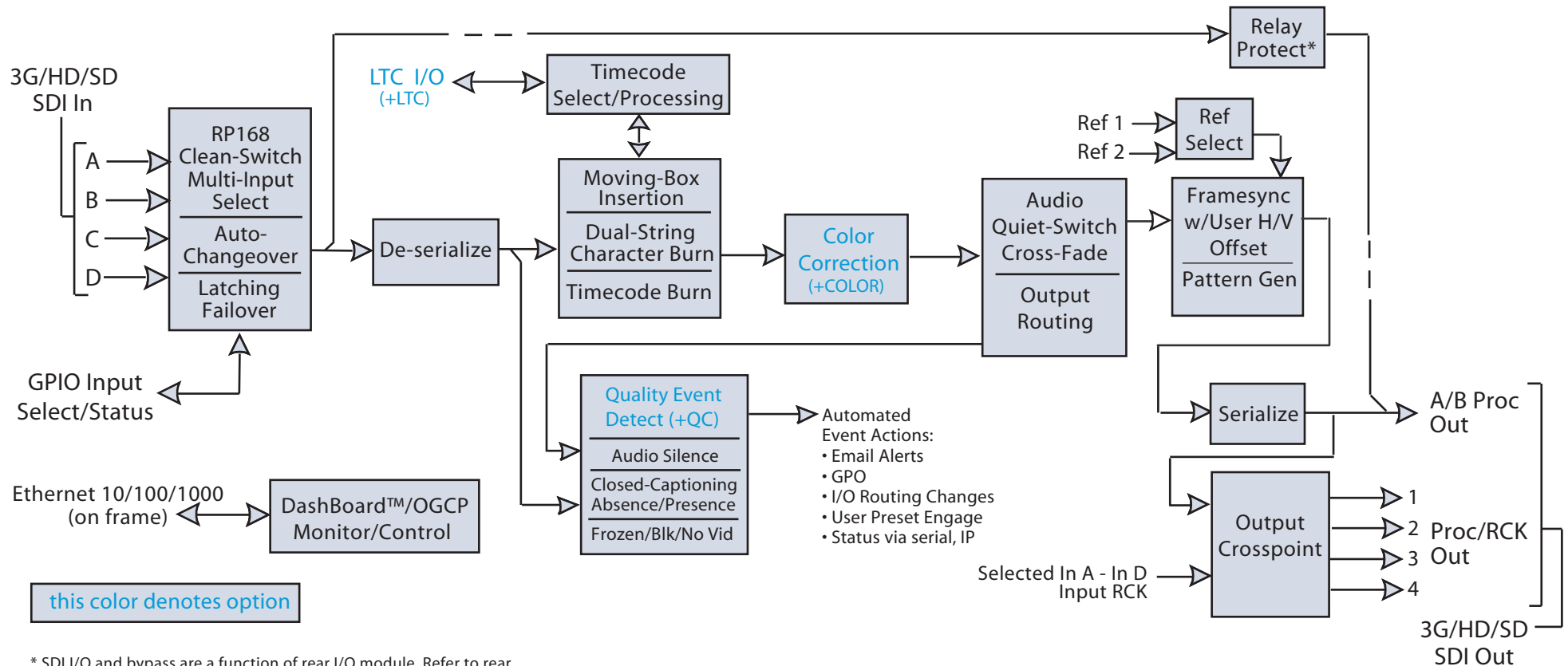


9940-4x1-CS Block Diagram

3G/HD/SD-SDI 4x1 Clean and Quiet Bypass Router

with Relay-Protected Input and GPIO Monitoring / Control



this color denotes option

* SDI I/O and bypass are a function of rear I/O module. Refer to rear I/O modules descriptions for more information.

SDI output RLY BYP B outputs copy of SDI Out 1 crosspoint selection in normal operation. In power loss failover, RLY BYP B passive outputs SDI In B.

COBALT Cobalt Digital Inc.
2506 Galen Drive
Champaign IL, 61821

217.344.1243
info@cobaltdigital.com
www.cobaltdigital.com