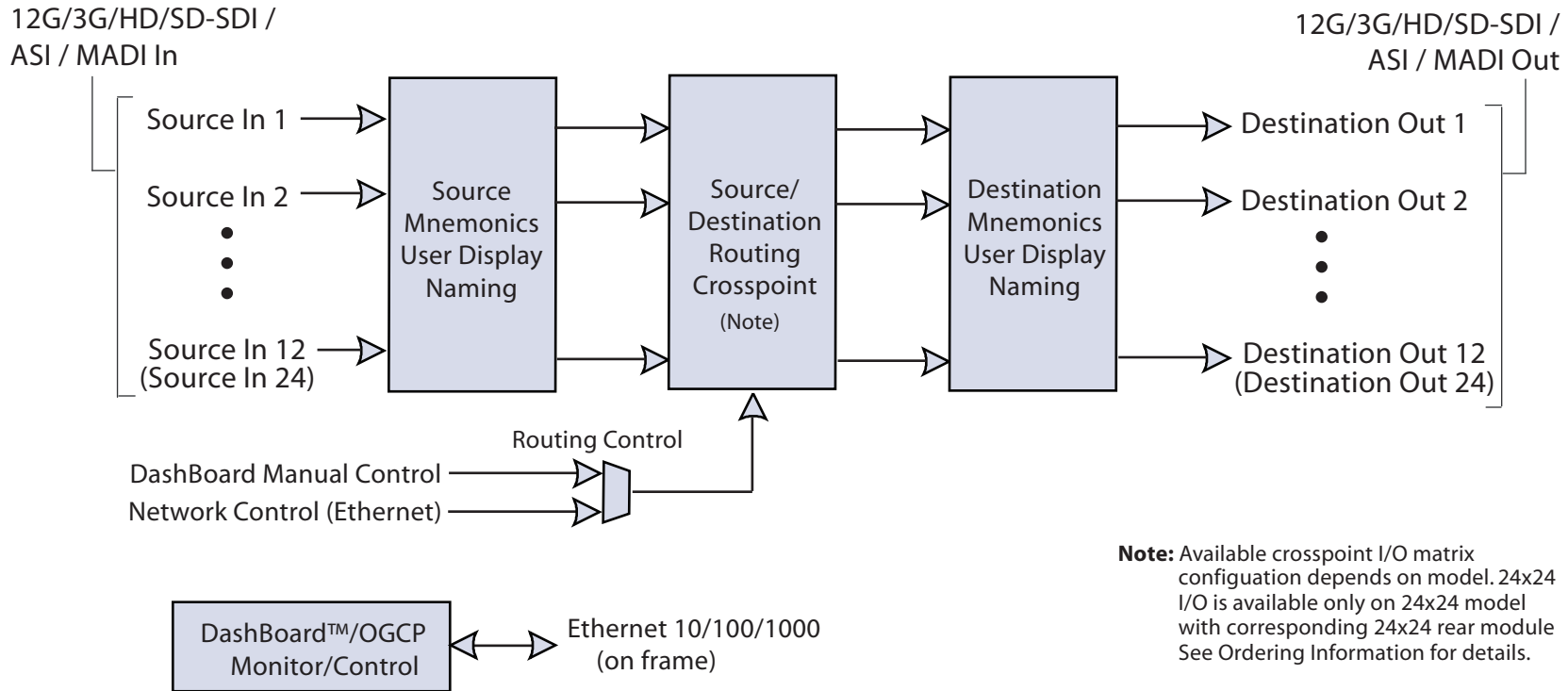


9941-RTR Block Diagram

12G/3G/HD/SD-SDI / ASI / MADI Routers For openGear® Systems



Note: Available crosspoint I/O matrix configuration depends on model. 24x24 I/O is available only on 24x24 model with corresponding 24x24 rear module. See Ordering Information for details.

COBALT

Cobalt Digital Inc.
2506 Galen Drive
Champaign IL, 61821

217.344.1243
info@cobaltdigital.com
www.cobaltdigital.com