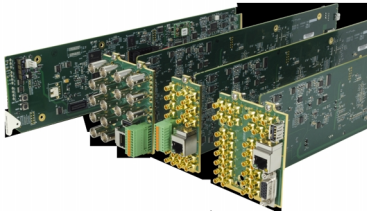


9941-RTR Series • 12G / 3G / HD / SD-SDI / ASI / MADI Routers for openGear® Systems



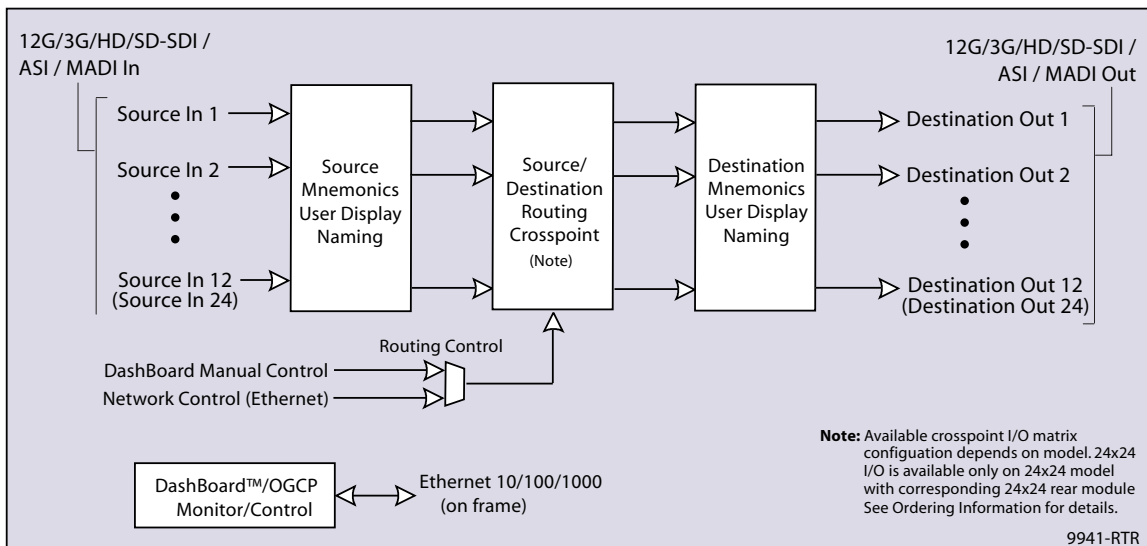
Cobalt introduces the **9941-RTR** series of SDI/ASI/MADI routers for the openGear® form factor. Using the openGear platform, the 9941-RTR series provides a high-density card-based solution that offers unprecedented flexibility and ease of use and integration that makes it an **exclusive** within the openGear platform.

3G/HD/SD-SDI/ASI/MADI versions are available in size from 24x24 I/O to a 12x4 asymmetrical I/O configuration. A 12x4 12G-SDI version is also available. Offering the card-based flexibility and scalability of the openGear form factor, rear I/O modules are also available to suit your I/O requirements. The rear modules are available in standard BNC or high-density DIN 1.0/2.3 and HD-BNC formats.

The 9941-RTR series offer built-in Ethernet ports, as well as multiple serial and GPIO control interfaces. Also supported are easy-to-use JSON-based ReFLEX, SNMP, and third-party router protocols that allow for easy integration with A/V control and

automation systems. GUI choices include an integrated HTML-5 Web server and support for the DashBoard™ control system, allowing users to design custom control panels that provide the most intuitive remote control and monitoring interfaces possible.

The 9941-RTR integrates perfectly with other advanced Cobalt products such as our 9970-QS Expandable Multiviewer with Advanced On-Screen Graphics cards. This synergy provides a dynamically reconfigurable, nonblocking 20 x 4 multiviewer, with configurations of four independent 5 x 1 multiviewers all the way up to a 17-window system – or any number of intermediate cascade combinations. DashBoard user matrix provides easy to use manual routing setup. Routing setups can be saved as presets, allowing one-button engage with DashBoard or OGCP-9000 Remote Control Panel. Full user DashBoard™ and Remote Control Panel remote control allows full setup, status, and local control across a standard Ethernet network.



FEATURES

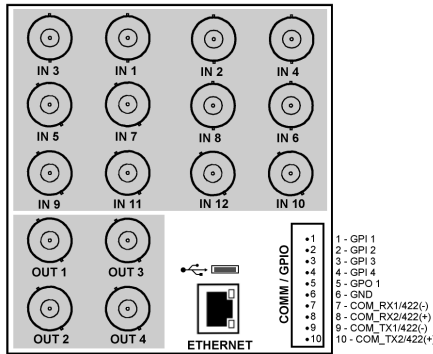
- Exclusive openGear card-based scalable router solution
- High-density design in openGear form offers compact 2RU solution
- Available in several matrix sizes with rear IO modules suited to your requirements
- Integrates seamlessly with Cobalt 9970-QS Expandable Multiviewer
- Flexible control/monitoring options including Ethernet, JSON-based ReFLEX, SNMP, and third-party router protocols
- Fully embedded software/processing platform with all processing done locally on card
- Supports software upgrades allowing expanded functionality without removing cards and minimal disruption
- DashBoard™ remote control status monitoring and setup/control
- Five year warranty

9941-RTR Models

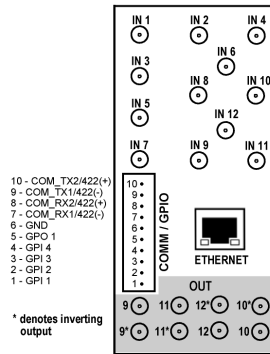
- **9941-RTR-12x4-12G** 12G (and lower) 12x4 Router
- **9941-RTR-12x4-3G** 3G/HD/SD-SDI / ASI / MADI 12x4 Router
- **9941-RTR-12x12-3G** 3G/HD/SD-SDI / ASI / MADI 12x12 Router
- **9941-RTR-24x24-3G** 3G/HD/SD-SDI / ASI / MADI 24x24 Router



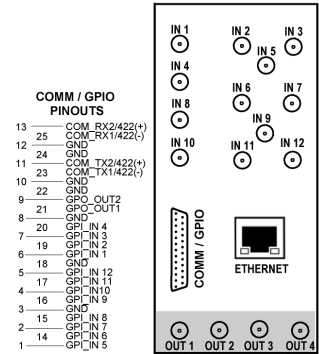
9941-RTR Series • 12G / 3G / HD / SD-SDI / ASI / MADi Routers for openGear® Systems



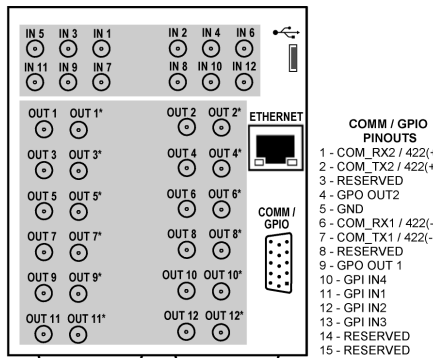
RM20-9941-12X4-A-BNC



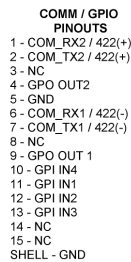
RM20-9941-12X4-A-DIN
RM20-9941-12X4-A-HDBNC



RM20-9941-12X4-B-DIN
RM20-9941-12X4-B-HDBNC



RM20-9941-12X12-A-DIN
RM20-9941-12X12-A-HDBNC



RM20-9941-24X24-A-HDBNC

ORDERING INFORMATION

9941-RTR-12x4-12G 12G/3G/HD/SD-SDI / ASI / MADi 12x4 Router

9941-RTR-12x4-3G 3G/HD/SD-SDI / ASI / MADi 12x4 Router

9941-RTR-12x12-3G 3G/HD/SD-SDI / ASI / MADi 12x12 Router

9941-RTR-24x24-3G 3G/HD/SD-SDI / ASI / MADi 24x24 Router

Note: For rear modules below specified available as DIN1.0/2.3 or HD-BNC, only HD-BNC models are suitable for 12G-SDI use.

RM20-9941-12X4-A-BNC 20-Slot Frame Rear I/O Module (Double Width). (12) SDI/ASI/MADI BNC coaxial inputs, (4) SDI/ASI/MADI BNC coaxial outputs, COMM/GPIO connector, 100/1000 BaseT Ethernet Port, USB port (type A, reserved)

RM20-9941-12X4-A-DIN 20-Slot Frame Rear I/O Module (Standard Width). (12) SDI/ASI/MADI coaxial inputs, (4) SDI/ASI/MADI coaxial outputs, (4) router output copy coaxial connectors, COMM/GPIO connector, 100/1000 BaseT Ethernet Port (All coaxial connectors DIN1.0/2.3.)

RM20-9941-12X4-A-HDBNC 20-Slot Frame Rear I/O Module (Standard Width). (12) SDI/ASI/MADI coaxial inputs, (4) SDI/ASI/MADI coaxial outputs, (4) router output copy coaxial connectors, COMM/GPIO connector, 100/1000 BaseT Ethernet Port (All coaxial connectors HD-BNC.)

RM20-9941-12X4-B-DIN 20-Slot Frame Rear I/O Module (Standard Width). (12) SDI/ASI/MADI coaxial inputs, (4) SDI/ASI/MADI coaxial outputs, COMM/GPIO connector (12 GPI IN; Micro D25 female connector), 100/1000 BaseT Ethernet Port (All coaxial connectors DIN1.0/2.3.)

RM20-9941-12X4-B-HDBNC 20-Slot Frame Rear I/O Module (Standard Width). (12) SDI/ASI/MADI coaxial inputs, (4) SDI/ASI/MADI coaxial outputs, COMM/GPIO connector (12 GPI IN; Micro D25 female connector), 100/1000 BaseT Ethernet Port (All coaxial connectors HD-BNC.)

RM20-9941-12X12-A-DIN 20-Slot Frame Rear I/O Module (Double Width). (12) SDI/ASI/MADI coaxial inputs, (12) SDI/ASI/MADI coaxial outputs, (12) router output copy coaxial connectors, COMM/GPIO connector, 100/1000 BaseT Ethernet Port, USB port (type A, reserved) (All coaxial connectors DIN1.0/2.3.)

RM20-9941-12X12-A-HDBNC 20-Slot Frame Rear I/O Module (Double Width). (12) SDI/ASI/MADI coaxial inputs, (12) SDI/ASI/MADI coaxial outputs, (12) router output copy coaxial connectors, COMM/GPIO connector, 100/1000 BaseT Ethernet Port, USB port (type A, reserved) (All coaxial connectors HD-BNC.)

RM20-9941-24X24-A-HDBNC 20-Slot Frame Rear I/O Module (Triple Width). (24) SDI/ASI/MADI coaxial inputs, (24) SDI/ASI/MADI coaxial outputs, COMM/GPIO connector, 100/1000 BaseT Ethernet Port, USB port (type A, reserved) (All coaxial connectors HDBNC)