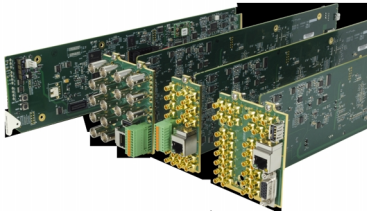


# 9941-RTR Series • 12G / 3G / HD / SD-SDI / ASI / MADI Routers for openGear® Systems

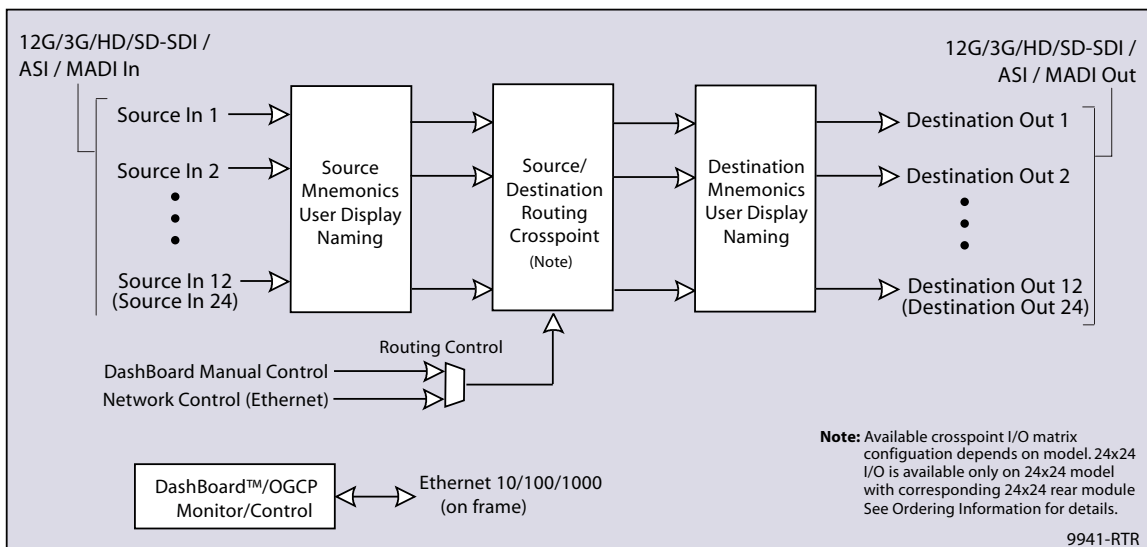


Cobalt introduces the **9941-RTR** series of SDI/ASI/MADI routers for the openGear® form factor. Using the openGear platform, the 9941-RTR series provides a high-density card-based solution that offers unprecedented flexibility and ease of use and integration that makes it an **exclusive** within the openGear platform.

3G/HD/SD-SDI/ASI/MADI versions are available in size from 24x24 I/O to a 12x4 asymmetrical I/O configuration. A 12x4 12G-SDI version is also available. Offering the card-based flexibility and scalability of the openGear form factor, rear I/O modules are also available to suit your I/O requirements. The rear modules are available in standard BNC or high-density DIN 1.0/2.3 and HD-BNC formats.

The 9941-RTR series offer built-in Ethernet ports, as well as multiple serial and GPIO control interfaces. Also supported are easy-to-use JSON-based ReFLEX, SNMP, and third-party router protocols that allow for easy integration with A/V control and automation systems. GUI choices include an integrated HTML-5 Web server and support for the DashBoard™ control system, allowing users to design custom control panels that provide the most intuitive remote control and monitoring interfaces possible.

DashBoard user matrix provides easy to use manual routing setup. Routing setups can be saved as presets, allowing one-button engage with DashBoard or OGCP-9000 Remote Control Panel. Full user DashBoard™ and Remote Control Panel remote control allows full setup, status, and local control across a standard Ethernet network.



## FEATURES

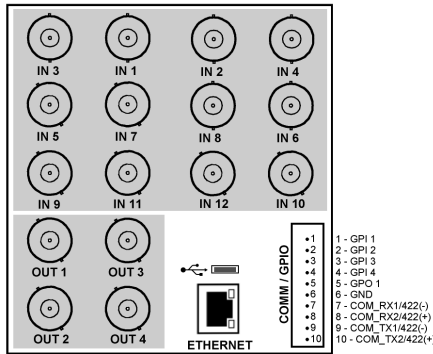
- Exclusive openGear card-based scalable router solution
- High-density design in openGear form offers compact 2RU solution
- Available in several matrix sizes with rear IO modules suited to your requirements
- Flexible control/monitoring options including Ethernet, JSON-based ReFLEX, SNMP, and third-party router protocols
- Fully embedded software/processing platform with all processing done locally on card
- Supports software upgrades allowing expanded functionality without removing cards and minimal disruption
- DashBoard™ remote control status monitoring and setup/control
- Five year warranty

## 9941-RTR Models

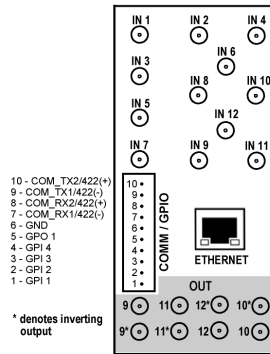
- **9941-RTR-12x4-12G** 12G (and lower) 12x4 Router
- **9941-RTR-12x4-3G** 3G/HD/SD-SDI / ASI / MADI 12x4 Router
- **9941-RTR-12x12-3G** 3G/HD/SD-SDI / ASI / MADI 12x12 Router
- **9941-RTR-24x24-3G** 3G/HD/SD-SDI / ASI / MADI 24x24 Router



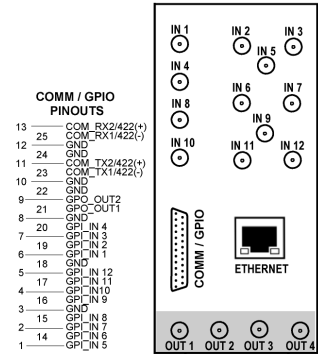
9941-RTR Series • 12G / 3G / HD / SD-SDI / ASI / MADi Routers for openGear® Systems



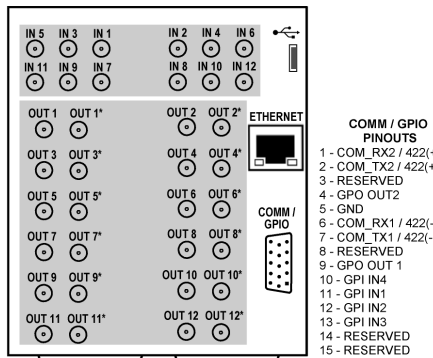
RM20-9941-12X4-A-BNC



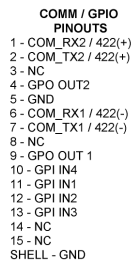
RM20-9941-12X4-A-DIN  
RM20-9941-12X4-A-HDBNC



RM20-9941-12X4-B-DIN  
RM20-9941-12X4-B-HDBNC



RM20-9941-12X12-A-DIN  
RM20-9941-12X12-A-HDBNC



RM20-9941-24X24-A-HDBNC

ORDERING INFORMATION

9941-RTR-12x4-12G 12G/3G/HD/SD-SDI / ASI / MADi 12x4 Router

9941-RTR-12x4-3G 3G/HD/SD-SDI / ASI / MADi 12x4 Router

9941-RTR-12x12-3G 3G/HD/SD-SDI / ASI / MADi 12x12 Router

9941-RTR-24x24-3G 3G/HD/SD-SDI / ASI / MADi 24x24 Router

Note: For rear modules below specified available as DIN1.0/2.3 or HD-BNC, only HD-BNC models are suitable for 12G-SDI use.

RM20-9941-12X4-A-BNC 20-Slot Frame Rear I/O Module (Double Width). (12) SDI/ASI/MADI BNC coaxial inputs, (4) SDI/ASI/MADI BNC coaxial outputs, COMM/GPIO connector, 100/1000 BaseT Ethernet Port, USB port (type A, reserved)

RM20-9941-12X4-A-DIN 20-Slot Frame Rear I/O Module (Standard Width). (12) SDI/ASI/MADI coaxial inputs, (4) SDI/ASI/MADI coaxial outputs, (4) router output copy coaxial connectors, COMM/GPIO connector, 100/1000 BaseT Ethernet Port (All coaxial connectors DIN1.0/2.3.)

RM20-9941-12X4-A-HDBNC 20-Slot Frame Rear I/O Module (Standard Width). (12) SDI/ASI/MADI coaxial inputs, (4) SDI/ASI/MADI coaxial outputs, (4) router output copy coaxial connectors, COMM/GPIO connector, 100/1000 BaseT Ethernet Port (All coaxial connectors HD-BNC.)

RM20-9941-12X4-B-DIN 20-Slot Frame Rear I/O Module (Standard Width). (12) SDI/ASI/MADI coaxial inputs, (4) SDI/ASI/MADI coaxial outputs, COMM/GPIO connector (12 GPI IN; Micro D25 female connector), 100/1000 BaseT Ethernet Port (All coaxial connectors DIN1.0/2.3.)

RM20-9941-12X4-B-HDBNC 20-Slot Frame Rear I/O Module (Standard Width). (12) SDI/ASI/MADI coaxial inputs, (4) SDI/ASI/MADI coaxial outputs, COMM/GPIO connector (12 GPI IN; Micro D25 female connector), 100/1000 BaseT Ethernet Port (All coaxial connectors HD-BNC.)

RM20-9941-12X12-A-DIN 20-Slot Frame Rear I/O Module (Double Width). (12) SDI/ASI/MADI coaxial inputs, (12) SDI/ASI/MADI coaxial outputs, (12) router output copy coaxial connectors, COMM/GPIO connector, 100/1000 BaseT Ethernet Port, USB port (type A, reserved) (All coaxial connectors DIN1.0/2.3.)

RM20-9941-12X12-A-HDBNC 20-Slot Frame Rear I/O Module (Double Width). (12) SDI/ASI/MADI coaxial inputs, (12) SDI/ASI/MADI coaxial outputs, (12) router output copy coaxial connectors, COMM/GPIO connector, 100/1000 BaseT Ethernet Port, USB port (type A, reserved) (All coaxial connectors HD-BNC.)

RM20-9941-24X24-A-HDBNC 20-Slot Frame Rear I/O Module (Triple Width). (24) SDI/ASI/MADI coaxial inputs, (24) SDI/ASI/MADI coaxial outputs, COMM/GPIO connector, 100/1000 BaseT Ethernet Port, USB port (type A, reserved) (All coaxial connectors HDBNC)