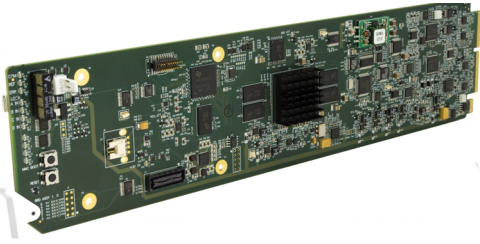


9950-EMDE-ANC • 3G/HD/SD-SDI Ancillary Data Embedder/De-Embedder



The **9950-EMDE-ANC 3G/HD/SD-SDI Ancillary Data Embedder/De-Embedder** offers full VANC/HANC ancillary data de-embedding and embedding for 3G/HD/SD-SDI streams. The easy to use user interface allows direct access to DID and SDID locations to extract or insert user data such as camera PTZ, SCTE 104, closed-captioning read/insert, GPI/GPO via ANC, or other specialized user payloads. Data insertion and extraction is via serial or IP interfaces. Easy to use DashBoard control provides for easy setup and configuration. The openGear® card-based form-factor and high-density design allows up to ten 9950-EMDE-ANC cards to be fitted to a 20-slot frame. The standard rear I/O module offers SDI I/O and data interface connections, as well as a relay-protected SDI copy output. Full user DashBoard™ or Remote Control Panel remote control allows full status and control access locally or across a standard Ethernet network.

FEATURES

Full insertion/extraction access to DID/SDID ancillary data such as camera PTZ, SCTE 104, closed captioning, GPI/GPO via ANC, and other specialized user payloads. HANC/VANC data interchange between SDI and GPIO, serial, and IP/Ethernet interfaces.

(Option +SCTE104) – SCTE 104 Insertion Provides generation/insertion of SCTE 104 data into baseband SDI. Message send can be triggered from automation GPI or other modes. Full control of splice start, end, and cancel as well as pre-roll offsets.

Full user VANC/HANC access

SMPTE 337 embed/de-embed allows serial user data to be embedded and de-embedded over unused embedded audio pairs.

Low latency pass-thru for all 3G/HD/SD-SDI payloads

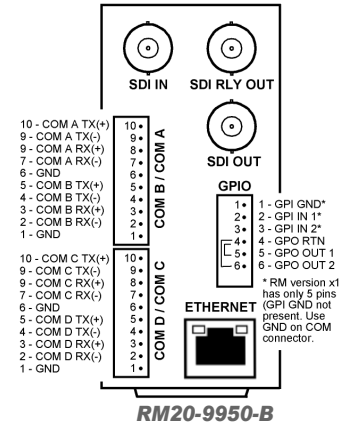
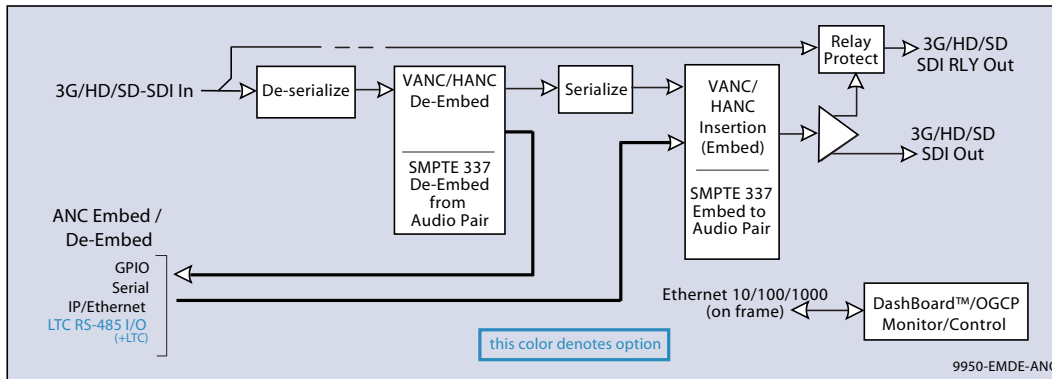
(Option +LTC) – Provides LTC embed to SDI from embedded audio or external RS-485 LTC sources. Also provides de-embed from SDI of timecode as embedded audio LTC or RS-485 LTC.

Latching relay protect SDI output provides input SDI bypass backup even in the event of power failure

(Option +SCTE104-FAST) SCTE104 Frame-Accurate SCTE Trigger Insertion uses Time Stamp data derived from broadcast automation to provide deterministic, frame-accurate Digital Program Insertion (DPI) message embedding into SDI. The linear channel is output with precise metadata marking the beginning and ending of each program and commercial segment, optimizing it for automatic dissemination to CDN and VOD systems.

DashBoard™ remote control status monitoring and setup/control.

Five year warranty



SPECIFICATIONS

Power

<18 Watts

SDI Input/Output

Number of Inputs: (1) 3G/HD/SD-SDI 75° BNC

Standards: SMPTE 259M, 292M, 424M

Supported Formats:

1080p60, 59.94, 50, 29.97, 25, 24, 23.98

1080i60, 59.94, 50

720p60, 59.94, 50, 29.97, 25, 24, 23.98

625i50, 525i59.94

Return Loss: 15 dB up to 1.485 GHz, 10 dB up to 2.970 GHz

Number of Outputs: (1) 3G/HD/SD-SDI 75° BNC

SDI Signal Level: 800 mV nominal

SDI Return Loss: >15 dB up to 1.485 GHz, >10 dB up to 2.970 GHz

Reference Video Input

Number of Inputs: (2) reference from frame bus. SMPTE 170M/318 "Black Burst", SMPTE 274M/

296M "Tri-level"

Return Loss: >35 dB up to 5.75 MHz

ORDERING INFORMATION

9950-EMDE-ANC 3G/HD/SD-SDI Ancillary Data Embedder/De-Embedder

RM20-9950-B 20-Slot Frame Rear I/O Module (Standard Width) (1) 3G/HD/SD-SDI Input BNC, (1) 3G/HD/SD-SDI Processed Output BNC, (1) 3G/HD/SD-SDI Processed Output BNC w/ Relay Failover Protect, (4) RS-485 Serial Tx/Rx Ports, (2) GPIO, (1) 10/100/1000 Ethernet Data I/O Port

+SCTE104 SCTE 104 Insertion Option

+SCTE104-FAST Frame-Accurate SCTE 104 Trigger Insertion Option

+LTC Audio/RS-485 LTC Embed/De-Embed Option

