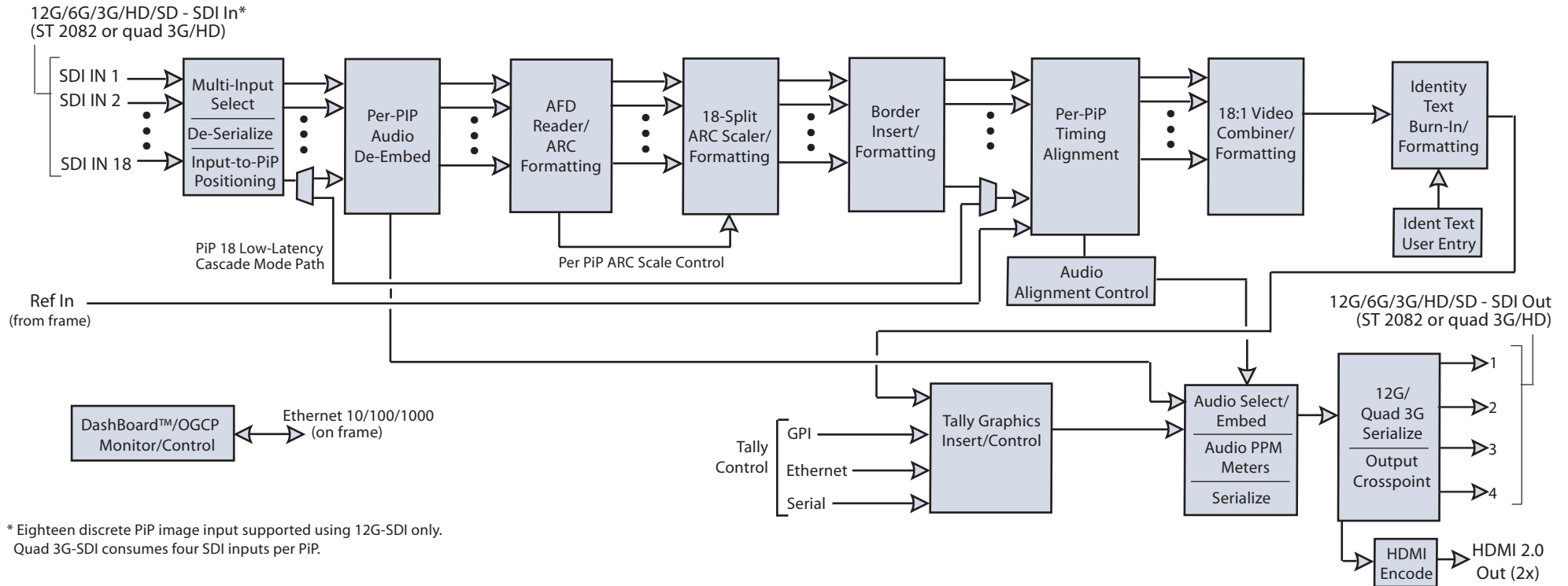


9971-MV18-4K Block Diagram

12G/6G/3G/HD/SD 18-Input Expandable UHD Multiviewer



* Eighteen discrete PiP image input supported using 12G-SDI only. Quad 3G-SDI consumes four SDI inputs per PiP.