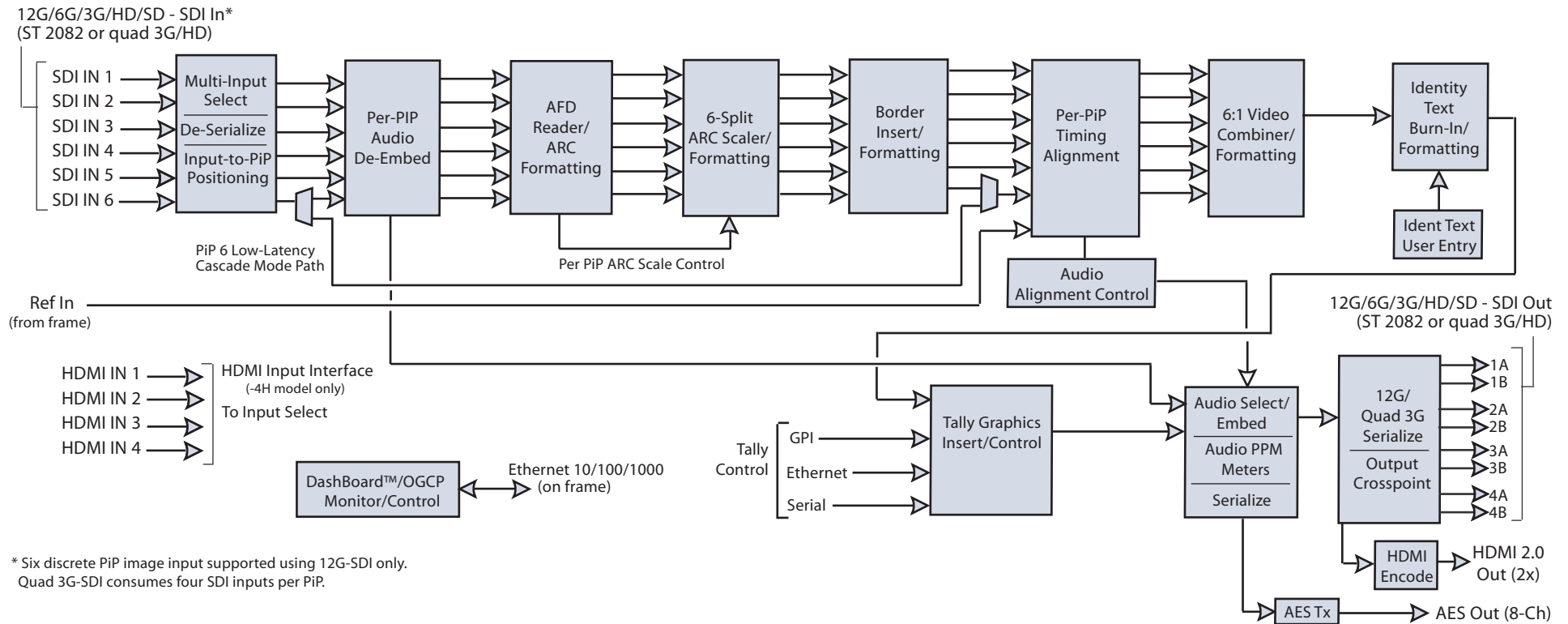


9971-MV6-4K Block Diagram

12G/6G/3G/HD/SD Expandable UHD Multiviewers



* Six discrete PiP image input supported using 12G-SDI only.
Quad 3G-SDI consumes four SDI inputs per PiP.