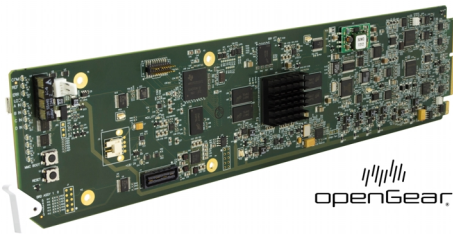


9971-MV18-4K • 12G/6G/3G/HD/SD 18-Input UHD Multiviewer



The Cobalt® **9971-MV18-4K 12G/6G/3G/HD/SD 18-Input UHD Multiviewer** is part of Cobalt's next generation of advanced UHD high-capacity channel multiviewers for the openGear® platform. Full-flexibility design accommodates 12G/6G/3G/HD/SD-SDI and UHD1 3840x2160 Square Division (SDQS) or Two-Sample Interleave (2SI) quad 3G-SDI based formats as I/O, and can output ST 2082 12G-SDI for single-wire 4K transport. Using 12G-SDI "single-wire" inputs, up to 18 discrete PIP images can be supported. With both 12G-SDI and quad 3G-SDI inputs, the 9971-MV18-4K can downconvert 12G and quad UHD. The 9971-MV18-4K provides up to two HDMI 2.0 outputs for economical 4K video monitoring.

The 9971-MV18-4K suite offers unprecedented ease of setup and also offers an unprecedented ease of use. Fully-flexible layouts using any of several one-button template presets or fully customizable layouts using easy to use sizing/positioning custom controls. Any template layout or custom layout changes can be done "on-the-fly" in real time, without tedious setup or layout programs like many other multiviewer products. Graphical overlay features include user

text "burn-in" insertions that can correlate the images displayed with contextual information. Numerous preset layout formats are available, as well as custom layouts as desired. The high-density openGear® design allows for up to five 9971-MV18-4K cards to be installed in one 2RU openGear® frame. Card control/monitoring is available via DashBoard user interface, integrated HTML5 web interface, SNMP, or Cobalt's RESTful-based Reflex protocol.

FEATURES

- High-density openGear comprehensive UHD multiviewer solution
- Allows easy, real-time "on the fly" custom layout changes without needing setup or layout programs
- Supports Square Division (SDQS) and Two-Sample Interleave (2SI) quad UHD formats
- Easy to configure PIP sizing and borders

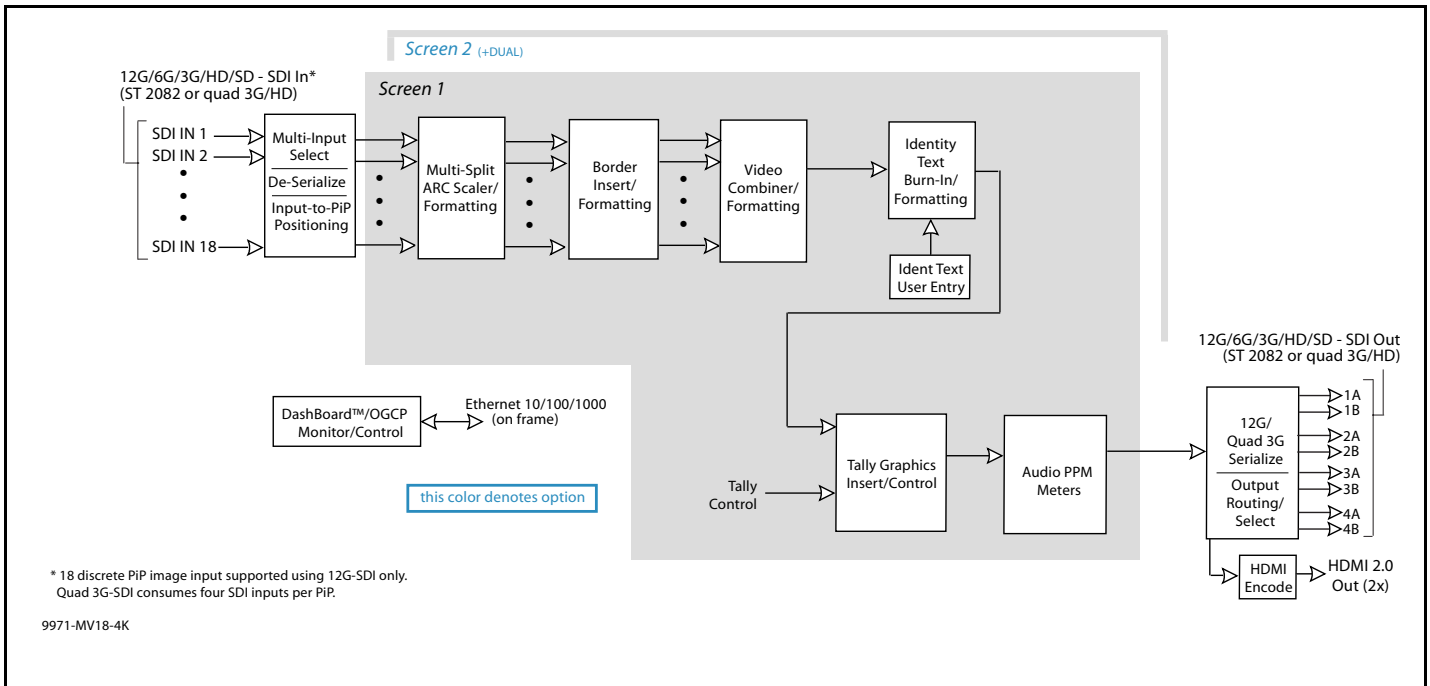
UHD 3840x2160 output raster support

Remote control/monitoring via Dashboard™ software, OGCP-9000 remote control panels, integrated HTML5 web interface, SNMP, or Cobalt's RESTful-based Reflex protocol

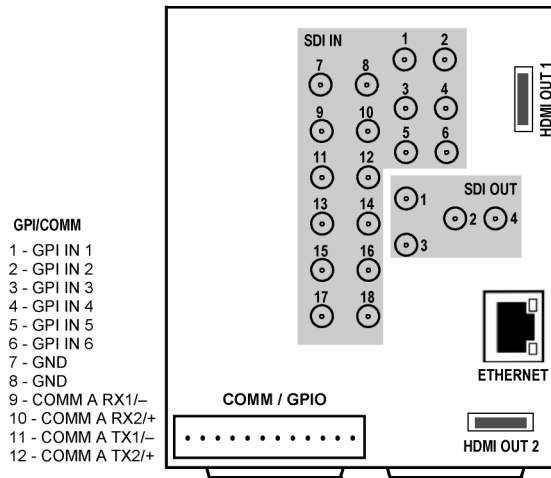
Five year warranty

OPTIONS

Dual Screen Option (+DUAL) - Enables dual head output to drive multiple monitors with different layouts. The input and output crosspoints are shared with the two independent screen processors. All functions and layout choices are independently available for both screen processors.



9971-MV18-4K • 12G/6G/3G/HD/SD 18-Input UHD Multiviewer



RM20-9971-D-HDBNC

SPECIFICATIONS

12G/6G/3G/HD/SD-SDI Inputs/Outputs

(18) 75Ω inputs (max)

(4) 75Ω outputs (max)

SDI Formats Supported: SMPTE ST2082-1, ST2082-10, 424M, 292M, SMPTE 259M-C. All inputs/outputs 12G compliant and SDQS/2SI quad 3G compliant.

Return Loss:

- > 15 dB up to 1.485 GHz
- > 10 dB up to 3 GHz
- > 7 dB up to 6 GHz
- > 5 dB up to 12 GHz

Input Cable Length:

- 60m Belden 1694A cable at 11.88 Gbps
- 120m Belden 1694A cable at 2.97 Gbps
- 240m Belden 1694A cable at 1.485 Gbps
- 400m Belden 1694A cable at 270 Mbps

Output Signal Level: 800 mV ± 10%

DC Offset: 0 V ± 50 mV

Rise and Fall Time @ 11.88 Gbps: < 45 ps

Alignment Jitter (12G/3G/HD/SD): < 0.3/0.3/0.2/0.2 UI

HDMI Output

(2, max) HDMI 2.0 Output; type A standard connector

ORDERING INFORMATION

9971-MV18-4K 12G/6G/3G/HD/SD 18-Input UHD Multiviewer

+DUAL Dual Screen Option

RM20-9971-D-HDBNC 20-Slot Frame Rear I/O Module (Double-Width) (18) 12G/6G/3G/HD/SD/SD-SDI Inputs, (4) 12G/6G/3G/HD/SD/SD-SDI Processed Outputs, GPIO/COMM, (2) HDMI 2.0 Output (type A standard), 10/100/1000 BaseT Ethernet Port (All coaxial connectors HD-BNC.)