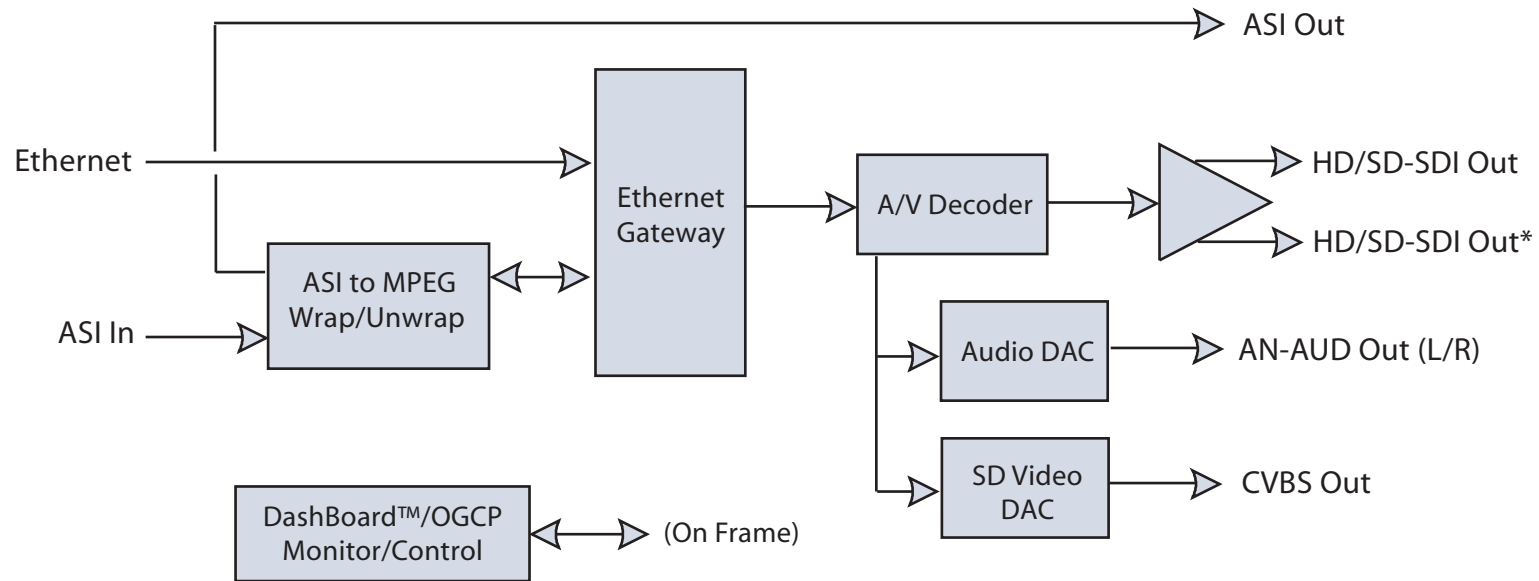


# 9990-DEC-MPEG Block Diagram

MPEG4 AVC and MPEG2 Decoder with ASI and IP Inputs and SDI Outputs



\* Dual SDI outputs available only with corresponding rear modules and on card hardware rev 2 or higher.