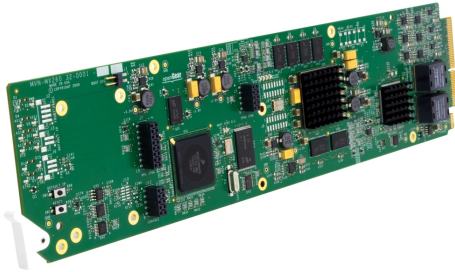


9990-RTR-MPEG-IP • Streaming IP (MPEG2-TS) Reclocking Distribution Amplifier and Router



The **9990-RTR-MPEG-IP** offers a flexible card-based solution for providing distribution copies of unicast or multicast IP streams. Unicast streams, by design, have only one destination and cannot easily be monitored by test equipment. To solve this, the 9990-RTR-MPEG-IP provides copies that can easily be sent to multiple destinations for monitoring or other purposes. With the 9990-RTR-MPEG-IP, the originating UDP/RTP stream can be replicated to reach its intended destination, as well as providing ample copies for monitoring or other purposes.

Using its two 1GigE RJ-45 ports, the 9990-RTR-MPEG-IP supports up to 16 inputs, and up to 16 outputs. Each input can be replicated up to eight times. The 9990-RTR-MPEG-IP also includes advanced redundancy protection features, allowing for automatic failover if the primary signal disappears. De-jittering and reclocking features help ensure reliable operation in all conditions and actually “cleans up” inputs with jittery IPGs. Utilizing the openGear® open-architecture control/monitoring platform, the 9990-RTR-MPEG-IP can be remotely controlled and monitored with the free, easy-to-use DashBoard™ setup and control operator interface.

FEATURES

Card-based design allows scalability of up to 10 cards per frame

Economical card-based solution provides distribution copies of unicast or multicast IP streams

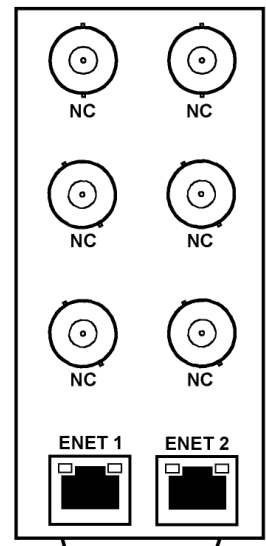
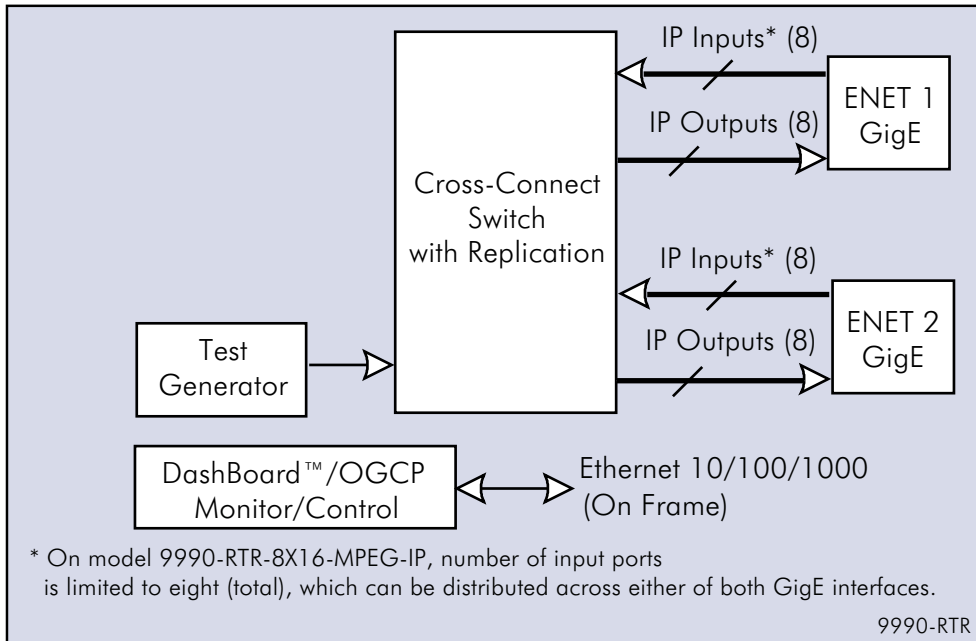
De-jittering and reclocking features help ensure reliable operation – even with jittery sources

Up to 16x16 inputs and outputs using two 1GigE Ethernet ports

Easy integration and control/monitoring via DashBoard™ remote control

Hot-swappable

Five year warranty



RM20-9990-RTR-B



9990-RTR-MPEG-IP • Streaming IP (MPEG2-TS) Reclocking Distribution Amplifier and Router**SPECIFICATIONS**

Power
12W

Routing Capacity

Model 9990-RTR-8X16-MPEG-IP: 8 inputs available for routing to up to 16 outputs. Outputs can be on either or both GigE ports.

Model 9990-RTR-16X16-MPEG-IP: 16 inputs available for routing to up to 16 outputs. Outputs can be on either or both GigE ports.

Note: For all models, the two GigE ports each are limited to 8 inputs and 8 outputs per port. Also, replication limit is 8 (i.e., a given input can be replicated only up to 8 copies).

Network I/O

Number of ports: (2) 1GigE RJ-45

IPv4, IPv6, UDP, and RTP

900 Mb/s usable GbE per Rx port

900 Mb/s usable GbE per Tx port

2 Gb/s maximum processing per card

Note: SMPTE-2022 FEC is not supported. FEC packets are discarded at the input and not generated at the output.

Regulatory Compliance

CE: CE marked in accordance with 93/68/EEC (22/07/03) Directive

UL: UL approval

US FCC: Part 15

EMC: EN55022, EN55024, EN6100-3-2

ORDERING INFORMATION

9990-RTR-8X16-MPEG-IP 8x16 Streaming IP (MPEG2-TS) Reclocking Distribution Amplifier and Router

9990-RTR-16X16-MPEG-IP 16x16 Streaming IP (MPEG2-TS) Reclocking Distribution Amplifier and Router

RM20-9990-RTR-B 20-Slot Frame Rear I/O Module (Standard Width) (2) GigE RJ-45 Ethernet

Note: BNC connectors on rear module are not used for this model and are all NC.

+9990RTR-16X16 Upgrades 9990-RTR-8X16-MPEG-IP to model 9990-RTR-16X16-MPEG-IP (adds 8 inputs for a total available of 16 inputs)