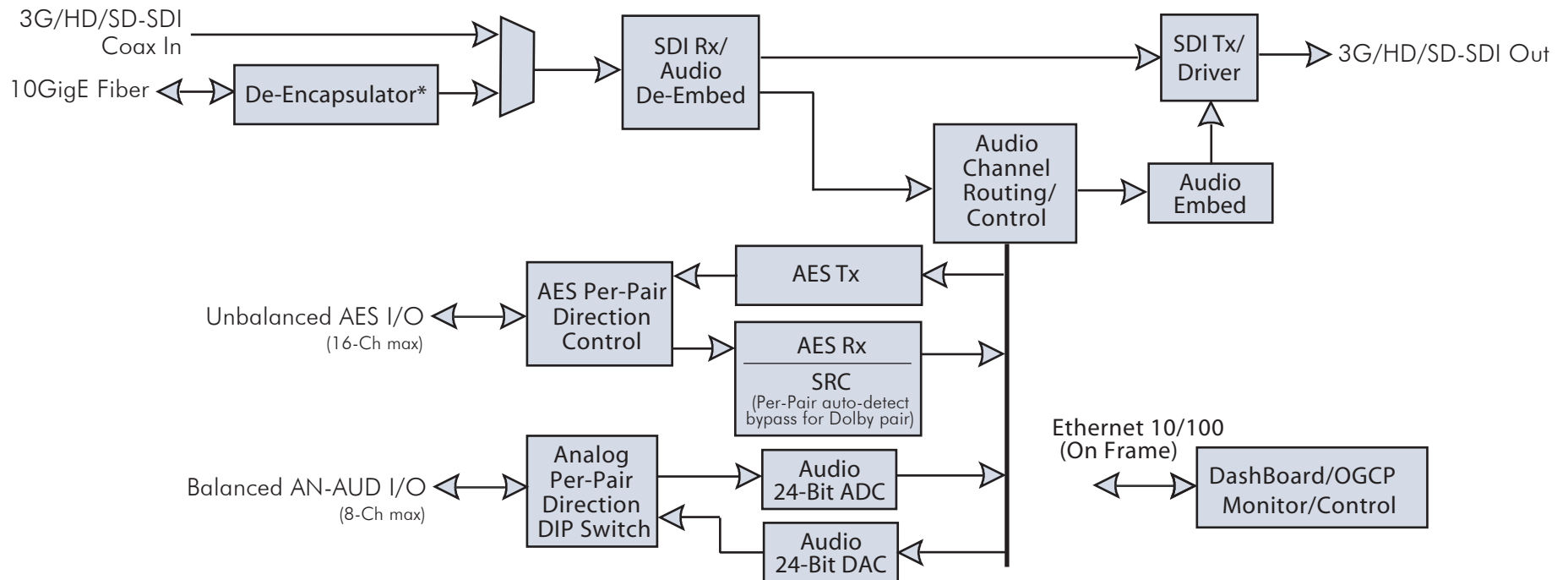


9991-IP-TO-SDI-10GE Block Diagram

3G/HD/SD-SDI SMPTE De-Encapsulator (2022-6 or 2110 Options)

with AES / Analog Audio Embed / De-Embed and 10GigE IP Optical Interface



* When ordered, 9991-IP-TO-SDI can be factory-fitted with either a SMPTE 2022-6 or 2110 de-encapsulator SFP module.

COBALT

Cobalt Digital Inc.
2506 Galen Drive
Champaign IL, 61821

217.344.1243
info@cobaltdigital.com
www.cobaltdigital.com