

9992-DEC-4K-HEVC • 4K HEVC/ AVC / MPEG-2 Software Defined Broadcast Decoder with Single-Channel 4K or Dual-Channel 2K Video Paths

The Cobalt® 9992-DEC-4K-HEVC 4K HEVC/AVC/MPEG-2 Software Defined Broadcast Decoder with Single-Channel 4K or Dual-Channel 2K Video Paths is a broadcast-grade multi-standard decoder designed to meet the most stringent requirements for today's broadcasters. It supports MPEG-2, AVC (H.264) and HEVC (H.265), with resolution up to 4K, and a full complement of audio decoding capabilities. The 9992-DEC-4K-HEVC is an industry standard openGear® card module and provides an ideal platform for transitioning to state-of-the-art decoding capabilities.

FEATURES

Future-Proof – The 9992-DEC-4K-HEVC Decoder supports MPEG-2, MPEG-4 AVC (H.264) and HEVC (H.265), so it can be deployed today as well as tomorrow.

Industry Standard Form-Factor – The 9992-DEC-4K-HEVC is offered in the industry-standard openGear format, and is compatible with existing deployed openGear frames.

High Density – The 9992-DEC-4K-HEVC supports up to two independent 1080p60 input streams, or a single UHD 4Kp60 input stream. One openGear frame can support up to 10 cards, for a total of 20 HD or 10 UHD 4K channels.

Full Audio Support – The 9992-DEC-4K-HEVC supports MPEG-1 Layer II, AAC-LC, HE-AAC, Dolby AC-3/EAC-3 and LPCM (SMPTE-302M), as well as Dolby AC-3/EAC-3 pass-thru. With an optional audio board, the decoder can support up to 16 audio channels with each video service.

Ultra Low Latency – Low latency modes available

Base Unit Features –

Support for two decode channels up to 1080p60, or one 4K channel

Support for MPEG-2, MPEG-4 AVC (H.264), and HEVC (H.265)

Support for 4:2:0 8-bit/10-bit decoding

Supports UDP and RTP. Other protocols available as options.

Full ancillary data support

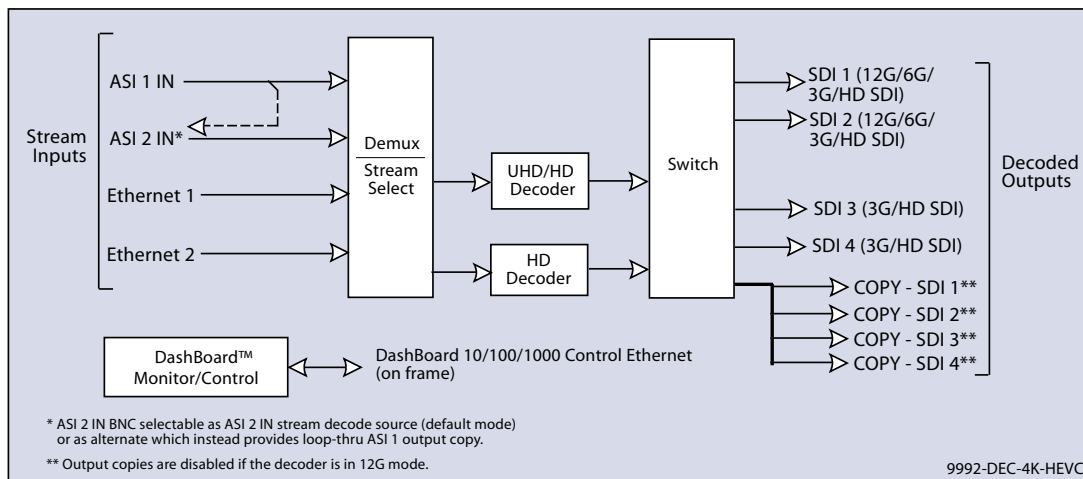
Support for 4 stereo pairs (8 audio channels) in any combination of MPEG-1 Layer II, AAC-LC, and HE-AAC (v1/v2) modes

Supports all popular formats: 480i, 576i, 720p, 1080i, 1080pSF, 1080p

Remote control/monitoring via Dashboard™ software

Hot-swappable

Five-year warranty



SOFTWARE LICENSABLE OPTIONS

+DEC-2.0 Dolby Digital/Dolby Digital Plus stereo audio decoding license

+DEC-5.1 Dolby Digital/Dolby Digital Plus 5.1 Surround Sound audio decoding license

+DEC-E Dolby E audio decoding license

+MP1L2-AAC-DEC MPEG-1 Layer II, AAC-LC, and HE-AAC audio decoding per pair. Three AAC licenses can be combined to allow one 5.1 surround decode.

+GENLOCK Add Genlock support (license is per channel)

+FEC-DEC Add SMPTE-2022 support (per unit)

+DEC-RTMP-SVR RTMP Server License Option

+TSMON – Adds continuous monitoring of current transport stream being decoded. Provides a list of all PIDs available in the transport stream, their current individual bit rates, and keeps numerical track of any continuity counter errors. Can also be configured to watch up to 8 PIDs and issue an alarm if PID disappears for a configurable amount of time. (If SNMP is available, this alarm is also provided as a trap.) (License is **per channel**)

+SRT-DEC SRT Support (per unit) license

+422 4:2:2 decoding support (per unit)

+RIST/ARQ-DEC RIST RTP/ARQ support (per unit)

+RIST/ENCRP-DEC RIST Encryption/Authentication Support (per unit). (Requires the +RIST/ARQ-DEC license to also be present on the decoder.)

9992-DEC-4K-HEVC • 4K HEVC/ AVC / MPEG-2 Software Defined Broadcast Decoder with Single-Channel 4K or Dual-Channel 2K Video Paths

SPECIFICATIONS

Inputs

- (2) DVB-ASI inputs
- (2) Gigabit Ethernet ports for IP input, supporting the following protocols:
 - UDP unicast/multicast
 - RTP unicast/multicast with optional SMPTE-2022 FEC
 - HTTP Live Streaming
 - RIST for contribution over the Internet
- Optional SMPTE-2110 baseband video over IP turnaround*
 - * Future release availability

Outputs

- (2) SDI outputs each supporting 12G-SDI, 3G-SDI, HD-SDI and SD-SDI
- (2) SDI outputs each supporting 3G-SDI, HD-SDI and SD-SDI
- Support for all standard frame rates (interlaced and progressive): 23.98, 24, 25, 29.97, 30, 50, 59.94, 60

Video Post-Processing

- Support for up/down/cross conversion of output video (independent of incoming stream)*
- Conversion between interlaced and progressive
- Frame rate conversion
- High Dynamic Range (HDR) support
 - * Future release availability

Video Decoding

- Decoding Standards:
 - MPEG-2
 - MPEG-4 AVC (H.264)
 - HEVC (H.265)
- Support for two independent 1080p60 decode sessions
- Support for UHD decoding in AVC and HEVC modes (Maximum resolution 3840x2160p60)
- Support for 4:2:0 and 4:2:2 (option) color spaces in all modes
- Support for 8-bit / 10-bit decoding in all modes
- Low latency decoding supported

Audio Decoding

- Decoding Standards:
 - MPEG-1 Layer II
 - AAC-LC
 - HE-AAC (v1/v2)
 - Dolby AC-3 / EAC-3
 - LPCM (SMPTE-302M)
 - Dolby AC-3/EAC-3 pass-thru support
- (5.1-Surround decoding available for AAC-LC, HE-AAC, Dolby AC-3 and Dolby EAC-3; subject to licensing)
- Maximum number of channels supported (subject to licensing):
 - MPEG-1 Layer II: 16 stereo pairs (32 audio channels)
 - Dolby AC-3: 16 stereo pairs (32 audio channels)
 - Dolby EAC-3: 8 stereo pairs (16 audio channels)
 - AAC-LC: 8 stereo pairs (16 audio channels)
 - HE-AAC (v1/v2) 8 stereo pairs (16 audio channels)
- Optional support for 5.1 Surround Sound decoding, in AAC and Dolby modes.
- Optional audio module: increases the capacity to 32 stereo pairs (64 audio channels), allowing full 16-channel support for the four HD inputs, in all compression modes*
 - * Future release availability

Ancillary Data Support

- Closed-Captioning: SMPTE-334M (EIA-608 and EIA-708 supported), Line 21 (SD sources)
- OP-47/SMPTE RDD-08 teletext subtitles*
- AFD: SMPTE-2016, Line 20/22 WSS (SD sources)
- SCTE-35 to SCTE-104 conversion
- SMPTE-2038 generic ancillary data transport (timecode, KLV, etc.)
 - * Future release availability

9992-DEC-4K-HEVC • 4K HEVC/ AVC / MPEG-2 Software Defined Broadcast Decoder with Single-Channel 4K or Dual-Channel 2K Video Paths

ORDERING INFORMATION

Note: For Software Options and Upgrades, as well as Hardware Options, please see the respective Options sections listed above.

9992-DEC-4K-HEVC 4K HEVC/AVC/MPEG-2 Software Defined Broadcast Decoder with Single-Channel 4K or Dual-Channel 2K Video Paths

Option Licenses:

- +422 Add 4:2:2 decoding support (per unit)
- +DEC-2.0 Dolby Digital/Dolby Digital Plus stereo audio decoding license
- +DEC-5.1 Dolby Digital/Dolby Digital Plus 5.1 Surround Sound audio decoding license
- +DEC-E Dolby E audio decoding license
- +SRT-DEC SRT Support license
- +FEC-DEC Add SMPTE-2022 support (per unit)
- +DEC-RTMP-SVR RTMP Server License Option
- +TSMON - Adds transport stream continuous monitoring
- +GENLOCK Add Genlock support (license is per channel)
- +MP1L2-AAC-DEC MPEG-1 Layer II, AAC-LC, and HE-AAC audio decoding per pair
- +RIST/ARQ-DEC Add RIST RTP/ARQ support (per unit)
- +RIST/ENCRP-DEC Add RIST Encryption/Authentication Support (per unit). (Requires the +RIST/ARQ-DEC license to also be present on the decoder.)

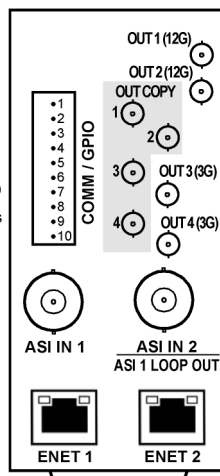
Rear I/O Modules:

RM20-9992-DEC-B 20-Slot Frame Rear I/O Module (Standard-Width) (2) ASI Input BNCs, (2) GigE Ethernet Media Ports, (2) 12G/6G/3G/HD-SD-SDI Coaxial Outputs, (2) 3G/HD/SD-SDI Coaxial Outputs, (4) Output Copy Coaxial Outputs, COMM/GPIO Port (All SDI coaxial connectors HD-BNC. See Notes in illustration regarding port functions and limitations.)

- 1 - GPI 1
- 2 - GPI 2
- 3 - GPO 1
- 4 - GPO 2
- 5 - GPO COM
- 6 - GND
- 7 - RS232-A RX / 422 RX(-)
- 8 - RS232-B RX / 422 RX(+)
- 9 - RS232-A TX / 422 TX(-)
- 10 - RS232-B TX / 422 TX(+)

Note: Output ports marked as "(12G)" can output 12G and lower SDI media.
Output ports marked as "(3G)" are compatible only with 3G or lower SDI media.

Note: ASI IN 2 BNC can be DashBoard selected to function as an ASI copy of ASI IN 1.



RM20-9992-DEC-B-HDBNC