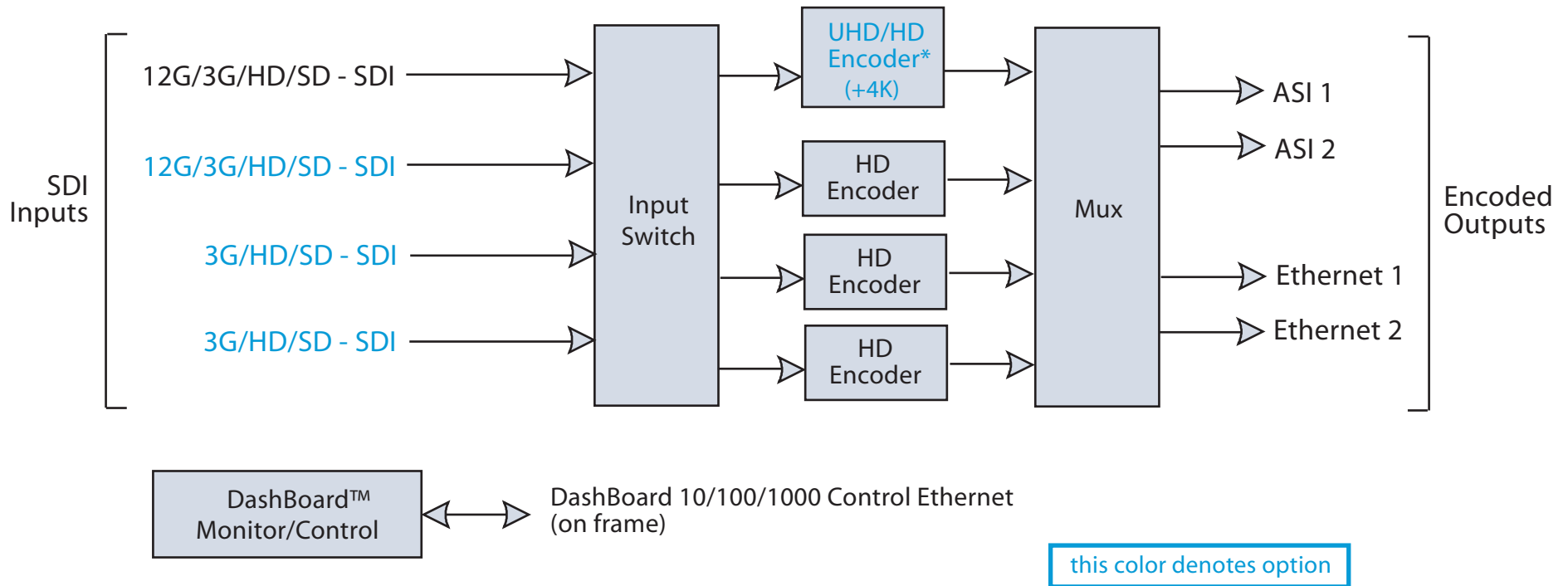


9992-ENC Block Diagram

HEVC Upgradeable AVC / MPEG2 Software-Defined Broadcast Encoder



Base model is single channel, with up to 3 additional channels using corresponding number of +AVC channel-add option licenses. See Options and Ordering Information for more details. HEVC license +HEVC adds per-channel HEVC (licenses available per-channel).

* UHD encode (single UHD/HD encoder) available only on card license-upgraded to four channels using corresponding option licenses +AVC and +4K. In UHD mode, the other three HD Encoders are not available.