

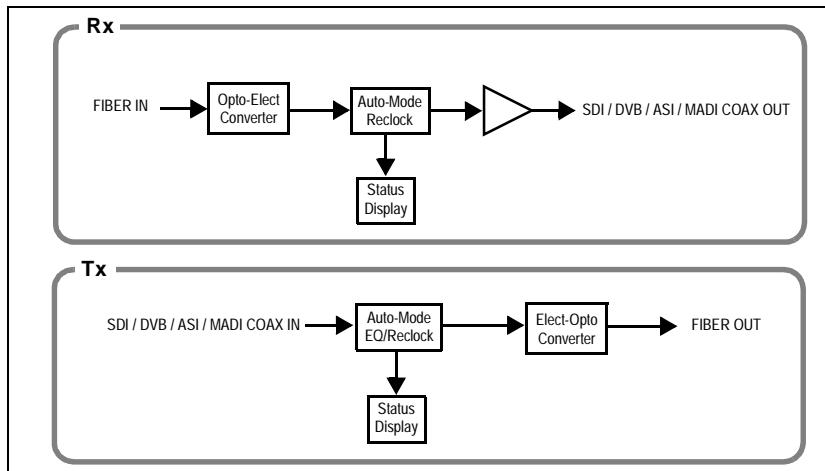
Coax/Fiber (E00E) Transceiver

3G/HD/SD-SDI / DVB / ASI / MADI
Fiber Optic Transport Transceiver

The **BlueBox™ Coax/Fiber Transceiver** (hereinafter called “BlueBox™ Coax/Fiber”) provides a small “throwdown” package that supports SMPTE 424M, 292M, and 259M as well as DVB, ASI, and MADI audio. Auto-mode EQ/reclocking automatically sets to the signal type being received on both Rx and Tx paths (unrecognized formats are safely passed without reclocking). Its wide operating range (from 5Mbps to 3Gbps) flexibly supports most professional digital serial communications. Fully error-free pathological pattern operation is fully compatible with professional fiber video interfaces.

Note: BlueBox™ Coax/Fiber does not support AES-3id transports.

The unit receives its DC power from external 9 - 16 VDC sources or from the supplied AC adapter.



Connecting BlueBox™ Coax/Fiber

- 1 Connect BlueBox™ Coax/Fiber to DC power using the supplied AC adapter.
2. Remove any protective caps on fiber cables and/or input receptacles. Connect Fiber and BNC coax input(s) and output(s). This provides the basic conversion connections. Unused connections do not require termination.

	<p>CLASS 1 LASER PRODUCT IEC 60825-1:2007 Caution - INVISIBLE LASER RADIATION. AVOID EXPOSURE TO THE BEAM.</p>
--	---

Status Indicators

BlueBox™ Coax/Fiber has a **Status** and Lock LEDs for both Rx and Tx paths on the side of the unit which function as follows:

- **STATUS** – Indicates power is OK.
 - For Fiber-to-Coax **Rx** channel: **Red** indicates no lock to input; **Green** indicates lock to valid fiber input.
 - For Coax-to-Fiber **Tx** channel: **Green** indicates unit is ready to receive input signal.
- **3G / HD / SD Lock Indicators** – For both fiber Rx and Tx paths, three LEDs respectively indicate, where applicable, lock to recognized SMPTE 424M, 292M, or 259M formats. (For other data, these LEDs will not be lit.)

Specifications

Item	Description/Specification
Part Number/ Nomenclature:	BlueBox™ Coax/Fiber Transceiver 3G/HD/SD-SDI / DVB / ASI / MADI Fiber Optic Transport Transceiver: - BBG-E00E-FC (Type FC fiber connector) - BBG-E00E-ST (Type ST fiber connector) - BBG-E00E-LC (Type LC fiber connector)
Standards/Data Rates supported:	SMPTE 424M, 292M, 259M, 344M, 305M, DVB-ASI 5Mbps to 3Gbps pathological pattern operation (does not support AES-3id audio or other standards using data rates < 5Mbps)
Input Fiber-to-Coax Path; Fiber Receive):	(1) Fiber input. FC, ST, or LC connectors per ordered configuration. Wavelength: 1310 nm Sensitivity: -20 dBm
Output (Fiber-to-Coax Path; Fiber Receive)	(1) 75Ω BNC. Reclocking automatically engaged for recognized signal standards; bypassed for unrecognized standards. Return Loss: >18 dBm up to 270 MHz
Input (Coax-to-Fiber Path; Fiber Transmit)	(1) 75Ω BNC. Reclocking automatically engaged for recognized signal standards; bypassed for unrecognized standards. Return Loss: >18 dBm up to 270 MHz
Output (Coax-to-Fiber Path; Fiber Transmit)	(1) Fiber output. FC, ST, or LC connectors per ordered configuration. Wavelength: 1310 nm Power: -7.5 dBm (min)
Input, DC Power:	9 to 16 VDC, < 5 W; 5mm coaxial connector (AC adapter included)
Dimensions (WxHxD):	5.0" x 2.9" x 1.1" (including connector projections) (127 x 74 x 28 mm)

Warranty and Service Information

Cobalt Digital Inc. Limited Warranty

This product is warranted to be free from defects in material and workmanship for a period of five (5) years from the date of shipment to the original purchaser, except that 4000, 5000, 6000, 8000 and Blue Box series power supplies, and Dolby® modules (where applicable) are warranted to be free from defects in material and workmanship for a period of one (1) year.

Cobalt Digital Inc.'s ("Cobalt") sole obligation under this warranty shall be limited to, at its option, (i) the repair or (ii) replacement of the product, and the determination of whether a defect is covered under this limited warranty shall be made at the sole discretion of Cobalt.

This limited warranty applies only to the original end-purchaser of the product, and is not assignable or transferable therefrom. This warranty is limited to defects in material and workmanship, and shall not apply to acts of God, accidents, or negligence on behalf of the purchaser, and shall be voided upon the misuse, abuse, alteration, or modification of the product. Only Cobalt authorized factory representatives are authorized to make repairs to the product, and any unauthorized attempt to repair this product shall immediately void the warranty. Please contact Cobalt Technical Support for more information.

To facilitate the resolution of warranty related issues, Cobalt recommends registering the product by completing and returning a product registration form. In the event of a warrantable defect, the purchaser shall notify Cobalt with a description of the problem, and Cobalt shall provide the purchaser with a Return Material Authorization ("RMA"). For return, defective products should be double boxed, and sufficiently protected, in the original packaging, or equivalent, and shipped to the Cobalt Factory Service Center, postage prepaid and insured for the purchase price. The purchaser should include the RMA number, description of the problem encountered, date purchased, name of dealer purchased from, and serial number with the shipment.

Cobalt Digital Inc. Factory Service Center
2506 Galen Drive Office: (217) 344-1243
Champaign, IL 61821 USA Fax: (217) 344-1245
www.cobaltdigital.com Email: info@cobaltdigital.com

THIS LIMITED WARRANTY IS EXPRESSLY IN LIEU OF ALL OTHER WARRANTIES EXPRESSED OR IMPLIED, INCLUDING THE WARRANTIES OF MERCHANTABILITY AND FITNESS FOR A PARTICULAR PURPOSE AND OF ALL OTHER OBLIGATIONS OR LIABILITIES ON COBALT'S PART. ANY SOFTWARE PROVIDED WITH, OR FOR USE WITH, THE PRODUCT IS PROVIDED "AS IS." THE BUYER OF THE PRODUCT ACKNOWLEDGES THAT NO OTHER REPRESENTATIONS WERE MADE OR RELIED UPON WITH RESPECT TO THE QUALITY AND FUNCTION OF THE GOODS HEREIN SOLD. COBALT PRODUCTS ARE NOT AUTHORIZED FOR USE IN LIFE SUPPORT APPLICATIONS.

COBALT'S LIABILITY, WHETHER IN CONTRACT, TORT, WARRANTY, OR OTHERWISE, IS LIMITED TO THE REPAIR OR REPLACEMENT, AT ITS OPTION, OF ANY DEFECTIVE PRODUCT, AND SHALL IN NO EVENT INCLUDE SPECIAL, INDIRECT, INCIDENTAL, OR CONSEQUENTIAL DAMAGES (INCLUDING LOST PROFITS), EVEN IF IT HAS BEEN ADVISED OF THE POSSIBILITY OF SUCH DAMAGES.

©Copyright 2015, Cobalt Digital Inc. All Rights Reserved.

Duplication or distribution of this manual and any information contained within is strictly prohibited without the express written permission of Cobalt Digital Inc. This manual and any information contained within, may not be reproduced, distributed, or transmitted in any form, or by any means, for any purpose, without the express written permission of Cobalt Digital Inc. Reproduction or reverse engineering of software used in this device is prohibited.

The information in this document has been carefully examined and is believed to be entirely reliable. However, no responsibility is assumed for inaccuracies. Furthermore, Cobalt Digital Inc. reserves the right to make changes to any products herein to improve readability, function, or design. Cobalt Digital Inc. does not assume any liability arising out of the application or use of any product or circuit described herein.

Cobalt® is a registered trademark of Cobalt Digital Inc. BlueBox™ is a trademark of Cobalt Digital Inc.



Cobalt Digital Inc.

2506 Galen Drive
Champaign, IL 61821
Voice 217.344.1243 • Fax 217.344.1245
www.cobaltdigital.com