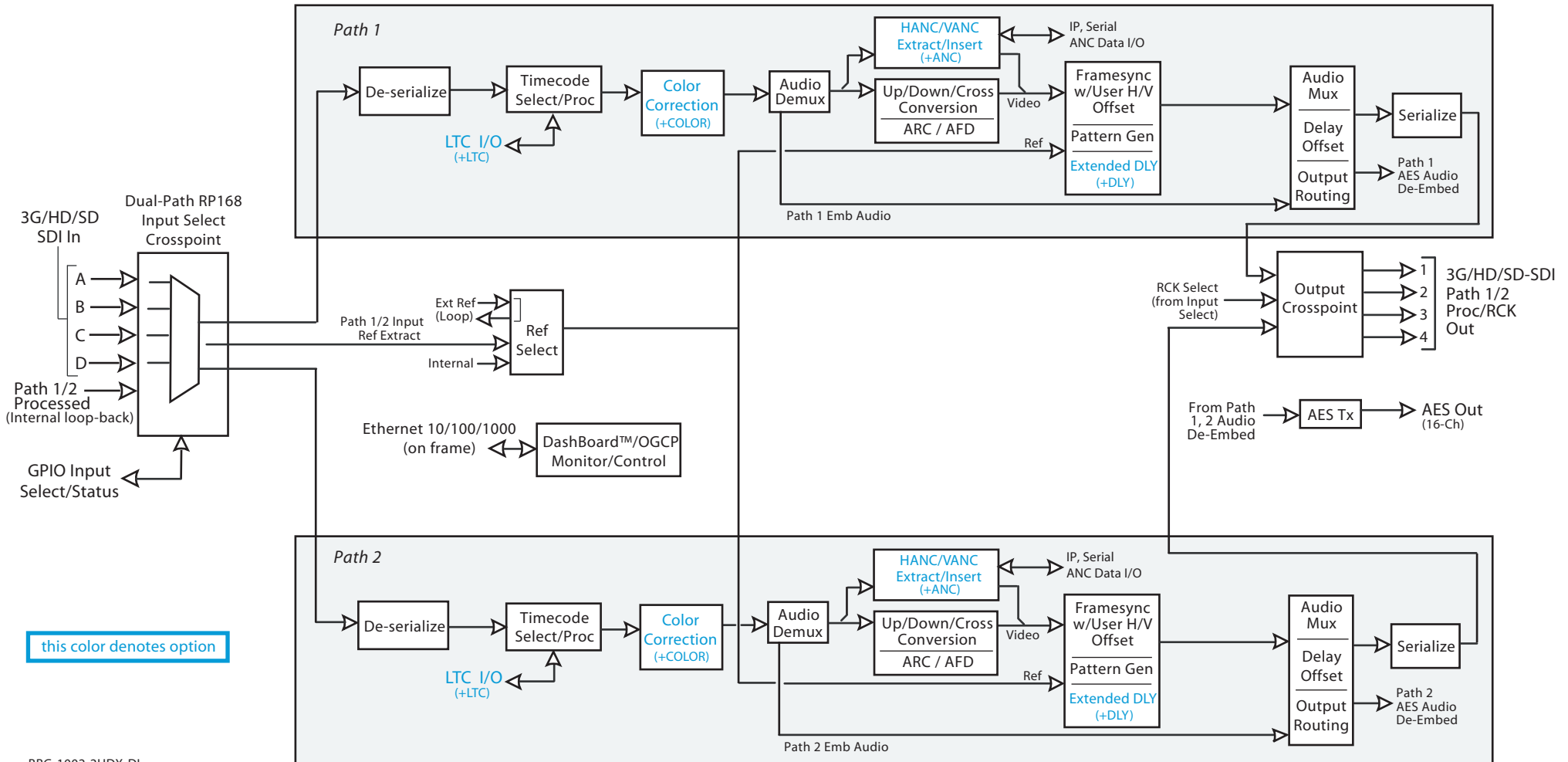


# BBG-1002-2UDX-DI Block Diagram

3G/HD/SD-SDI Standalone Dual-Channel De-interlacing Up-Down-Cross Converter / Frame Sync



BBG-1002-2UDX-DI