

BBG-1002-DC-4K • Standalone Quad SDI/2SI-Input UHD Broadcast Downconverter with Optional Frame Sync



The **BBG-1002-DC-4K Standalone Quad SDI/2SI-Input UHD Broadcast Downconverter with Optional Frame Sync** provides an easily integrated standalone solution for converting 4K UHD quadrant-division and 2SI (two-sample interleave) content into 3G/HD/SD-SDI. Easy to use DashBoard configuration and monitoring provides for easy setup.

The BBG-1002-DC-4K precisely combines four quadrant-divided or 2SI individual SDI feeds into a combined SDI image directly suitable for broadcast production usage or monitoring purposes. The combined SDI output can be scaled to 3G/HD-SDI. An HDMI output allows direct use with monitors. The BBG-1002-DC-4K can be remote-controlled using DashBoard™.

The compact standalone form factor allows desktop usage, as well as the 1/3-rack size of the BBG-1002-DC-4K allowing 3 units to be installed in a 1RU space (an optional mounting tray is available that provides secure mounting of the units to a standard 19" frame).

FEATURES

Scalable solution for 4K UHD TV down-conversion/ integration to SDI for cinema and sports production

Compatible with 4K Four-Quadrant or 4K Two-Sample Interleaved (2SI) modes

Input crosspoint allows quadrant inputs to be easily re-arranged without changing connections

Redundant power supply option

Compact footprint – up to 3 units in a 1RU space. Optional tray provides secure captive-fastener mounting of 3 units in a 1RU tray.

HDMI output allows direct feed to monitors

Remote control/monitoring via DashBoard software or Web Browser User Interface

Low-power/high-density design – less than 13 Watts

Five year warranty

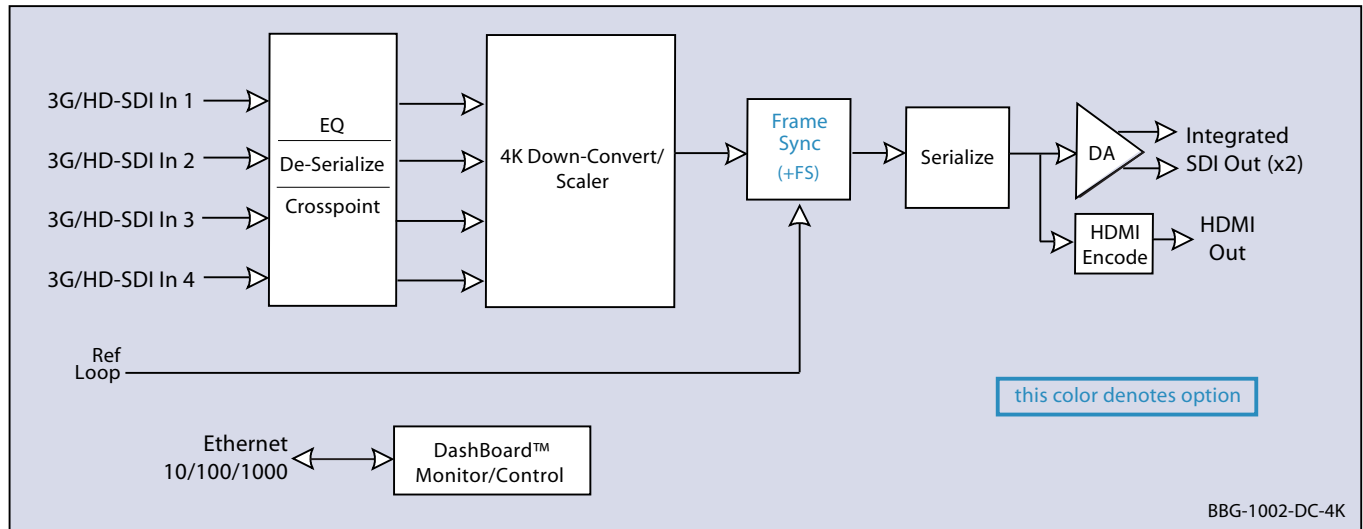
OPTIONS

Add Frame Sync. Provides full vertical and horizontal offset and frame delay controls (+FS)

Audio LTC I/O (+LTC)

1RU Mounting Tray (supports 3 units) (BBG-1000-TRAY)

Redundant Power Supply Module (BBG-1000-PS)



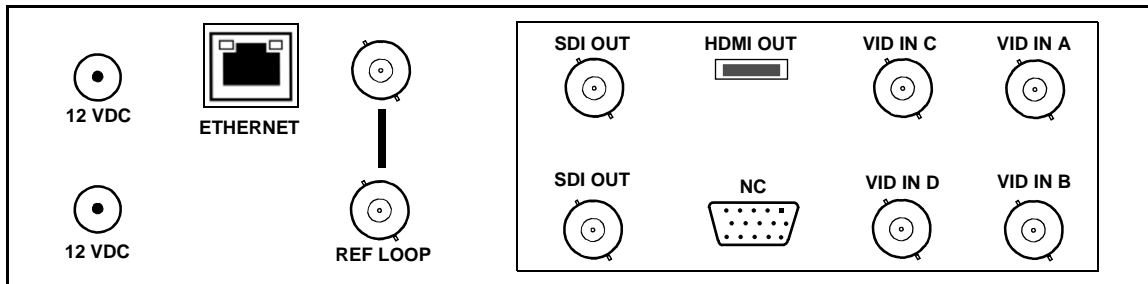
this color denotes option

BBG-1002-DC-4K



BBG-1002-DC-4K • Standalone Quad SDI/2SI-Input UHD Broadcast Downconverter with Optional Frame Sync

Rear Panel Layout



SPECIFICATIONS

Power

< 18 Watts. Power supplied by 12VDC AC adapter, universal input (included).

Video Input/Outputs

Video Inputs: (4) 3G/HD-SDI 75Ω BNC
 SDI Output: (2) 3G/HD-SDI 75Ω BNCs (2x DA)
 HDMI Output: (1) HDMI output
 Formats Supported: SMPTE 259M, SMPTE 292M, SMPTE 424M
 Receive Cable Length: 3G/HD/SD: 120/180/320 m (Belden 1694A)
 Return Loss: >15 dB up to 1.485 GHz; >10 dB up to 2.970 GHz
 Alignment Jitter: 3G/HD/SD: < 0.3/0.2/0.2 UI

Control/Monitor Interface

Front panel network setup. DashBoard remote control via 10/100/1000 Ethernet port.

Frame Reference Input

Looping 2-BNC connection. SMPTE 170M/318M "Black Burst", SMPTE 274M/296M "Tri-Level"
 Return Loss: >35 dB up to 5.75 MHz

Physical

Dimensions (WxHxD): 5.7 x 1.4 x 14.7 in (14.5 x 3.5 x 37.3 cm) Dimensions include connector projections.
 Weight: 6 lb (2.8 kg)

ORDERING INFORMATION

BBG-1002-DC-4K Standalone Quad SDI/2SI-Input UHD Broadcast Downconverter with Optional Frame Sync

+FS Add Frame Sync Option

+LTC Audio LTC I/O Option

BBG-1000-PS Redundant Power Supply Module

BBG-1000-TRAY 1RU Mounting Tray (supports 3 units)