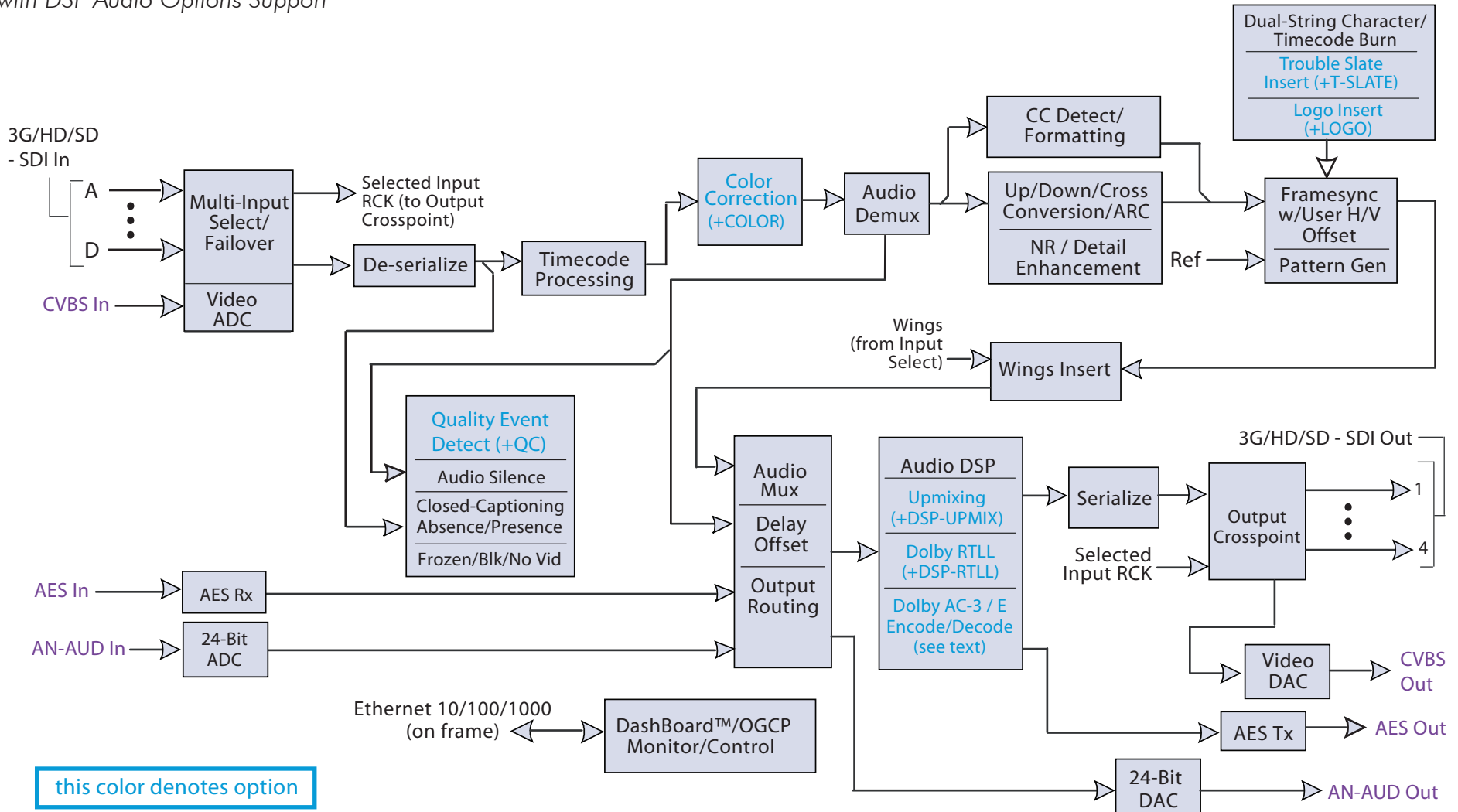


# BBG-1002-UDX-DSP Block Diagram

3G/HD/SD-SDI Standalone Up-Down-Cross Converter/Frame Sync/Audio Embed/De-Embed  
with DSP Audio Options Support



this color denotes option

This color denotes I/O only on certain models. See Ordering Information.

\* SDI I/O and bypass are a function of model. Refer to rear panel I/O illustrations and model descriptions for more information. SDI output RLY BYP B outputs copy of SDI Out 1 crosspoint selection in normal operation. In power loss failover, RLY BYP B passive outputs SDI In B.