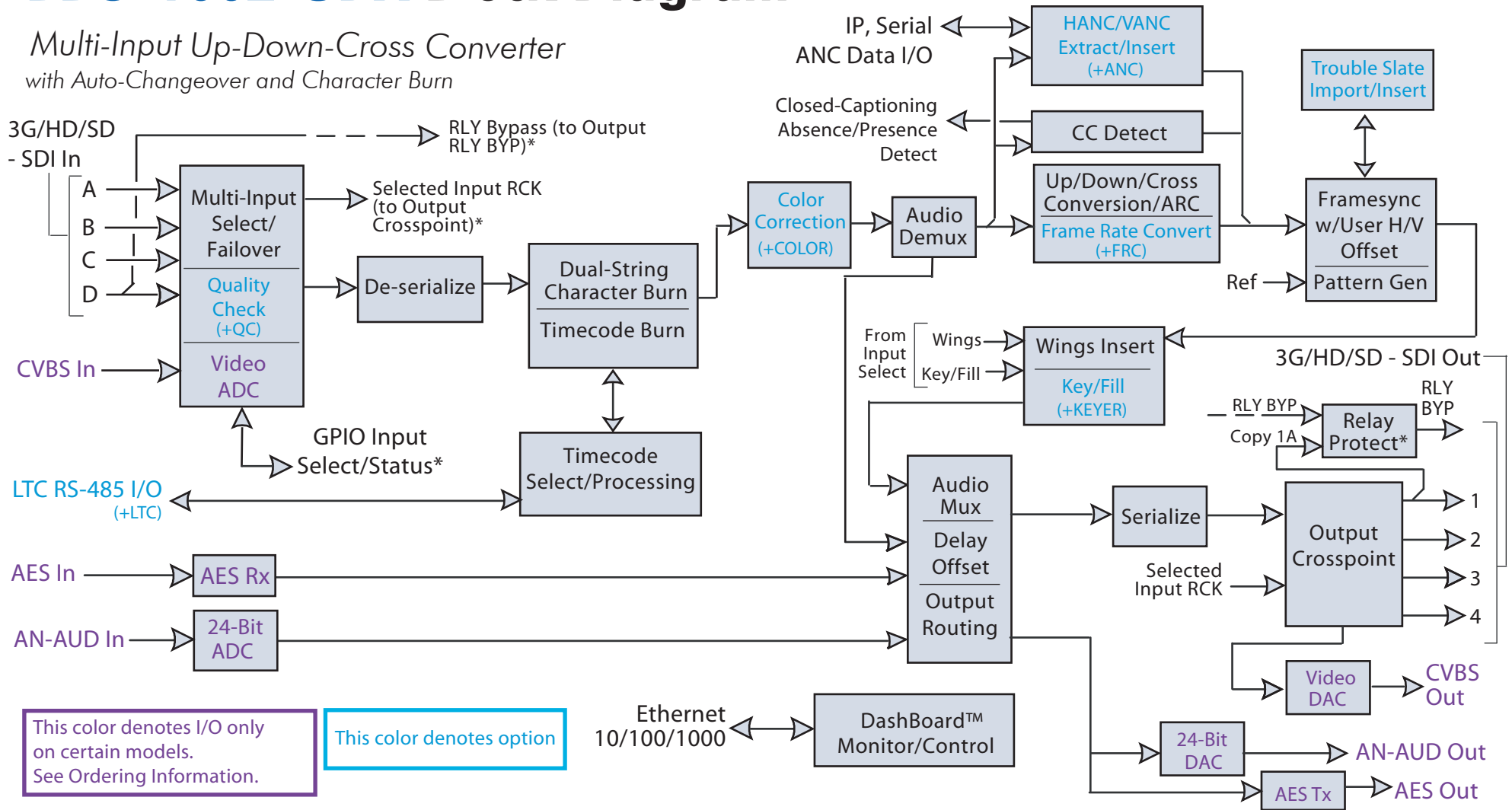


BBG-1002-UDX Block Diagram

Multi-Input Up-Down-Cross Converter
with Auto-Changeover and Character Burn



* SDI I/O and bypass are a function of model. Refer to rear panel I/O illustrations and model descriptions for more information.
SDI output RLY BYP outputs copy of SDI Out 1 crosspoint selection in normal operation. In power loss failover, RLY BYPassive outputs SDI In D.