

BBG-1003-UDX-ADDA • 3G/HD/SD-SDI Standalone Universal Format Converter/Frame Sync with CVBS/YPbPr Video I/O, Up/Down/Cross Conversion, Frame Sync, AES and Analog Audio Embedding / De-Embedding



The Cobalt® **BBG-1003-UDX-ADDA 3G/HD/SD-SDI Standalone Universal Format Converter/Frame Sync** with CVBS/YPbPr Video I/O, Up/Down/Cross Conversion, Frame Sync, AES and Analog Audio Embedding / De-Embedding provides a high-density standalone solution that offers unprecedented multi-input support, flexibility, and ease of use and integration for SDI and analog video and discrete audio. Frame sync provides glitch-free audio upon frame sync events, with video/audio offsets user configurable. Audio embed adaptive SRC allows asynchronous 48 kHz AES audio to automatically sync with program video 48 kHz timing for glitch-free embedding. Individual, per-pair SRC auto-detects and disables SRC when a Dolby pair is detected on an input pair.

With option **+ANC**, the BBG-1003-UDX-ADDA offers full VANC/HANC ancillary data packet de-embedding and embedding for 3G/HD/SD-SDI streams. The easy to use interface allows direct access to DID and SDID locations to extract or insert user data such as camera PTZ, SCTE 104, closed-captioning read/insert, GPI/GPO via ANC, or other specialized user payloads. Data can be extracted and inserted within the unit, bypassing the scaler (Bridge mode), or inserted and/or extracted to and from external interface via serial or IP interfaces.

Multiple SDI input ports allow selection from multiple input sources with failover. Both CVBS and component analog video is supported both as inputs and outputs.

The up/down/cross convert scaler is specifically designed for broadcast video formats, with full ARC control suitable for conversions to or from 4:3 and 16:9 aspect ratios. Timecode can be received and prioritized among any standard SMPTE embedded or audio LTC timecode.

Preset save/load allows saving custom settings while allowing one-button revert to factory settings. Layered presets allow invoking changes related only to a specific area of concern (audio routing, for example) while not changing any other processing settings or aspects. The BBG-1003-UDX-ADDA can be remote-controlled using DashBoard™. GPIO allows direct input routing control and status monitoring. The compact standalone form factor allows desktop usage, as well as the 1/3-rack size of the BBG-1003-UDX-ADDA allowing 3 units to be installed in a 1RU space (an optional mounting tray is available that provides secure mounting of the units to a standard 19" frame).

FEATURES

Supports all popular formats: 480i, 576i, 720p, 1080i, 1080pSF, 1080p

Multi-input, with failover switching

Universal I/O support – analog CVBS and component inputs and outputs, as well as analog and AES audio embed/de-embed. 10-bit processing with 5-line adaptive comb filtered SD Y/C separation.

Frame Sync with full H/V offset and manual/LOS video pattern generator

Up/Down/Cross Conversion with user and AFD, VI, and WSS ARC specifically tailored for broadcast video

Timecode processing can prioritize, filter for, and convert between specific SMPTE embedded-video or audio LTC

Full audio crosspoint with delay control and 5.1-to-stereo downmix available for all audio outputs

Option **+ANC** adds full user VANC/HANC packet insertion/extraction access to DID/SDID ancillary data such as camera PTZ, SCTE 104, closed captioning, and other specialized user payloads. Multi-mode setup includes Bridge mode (device internal path with scaler bypass bridging) or Insert/Extract modes for insert/extract to or from IP/serial external interfaces.

Available color correction option

Low-power/high-density design – less than 13 Watts

Compact footprint – up to 3 units in a 1RU space. Optional tray provides secure captive-fastener mounting of 3 units in a 1RU tray.

Remote control/monitoring via DashBoard™ software, OGCP-9000 Remote Control Panel, or Web Browser User Interface

Five year warranty

OPTIONS

Audio LTC I/O (**+LTC**)

Ancillary Data Processor (**+ANC**) – Provides full user VANC/HANC packet insertion/extraction access to DID/SDID ancillary data, with insert/extract to and from IP, RS-232/RS-422 serial, and GPIO external interfaces. Bridge mode can be set to preserve special/custom ANC packages when scaler is enabled.

Color Correction (**+COLOR**) – Full RGB color corrector (offset, gain, gamma) with extended YCbCr proc controls with white hard clip, white soft clip, black hard clip, and saturation clip

SCTE 104 Insertion Option (**+SCTE104**) – Provides generation/insertion of SCTE 104 data into baseband SDI. Message send can be triggered from automation GPI or other modes. Full control of splice start, end, and cancel as well as pre-roll offsets.

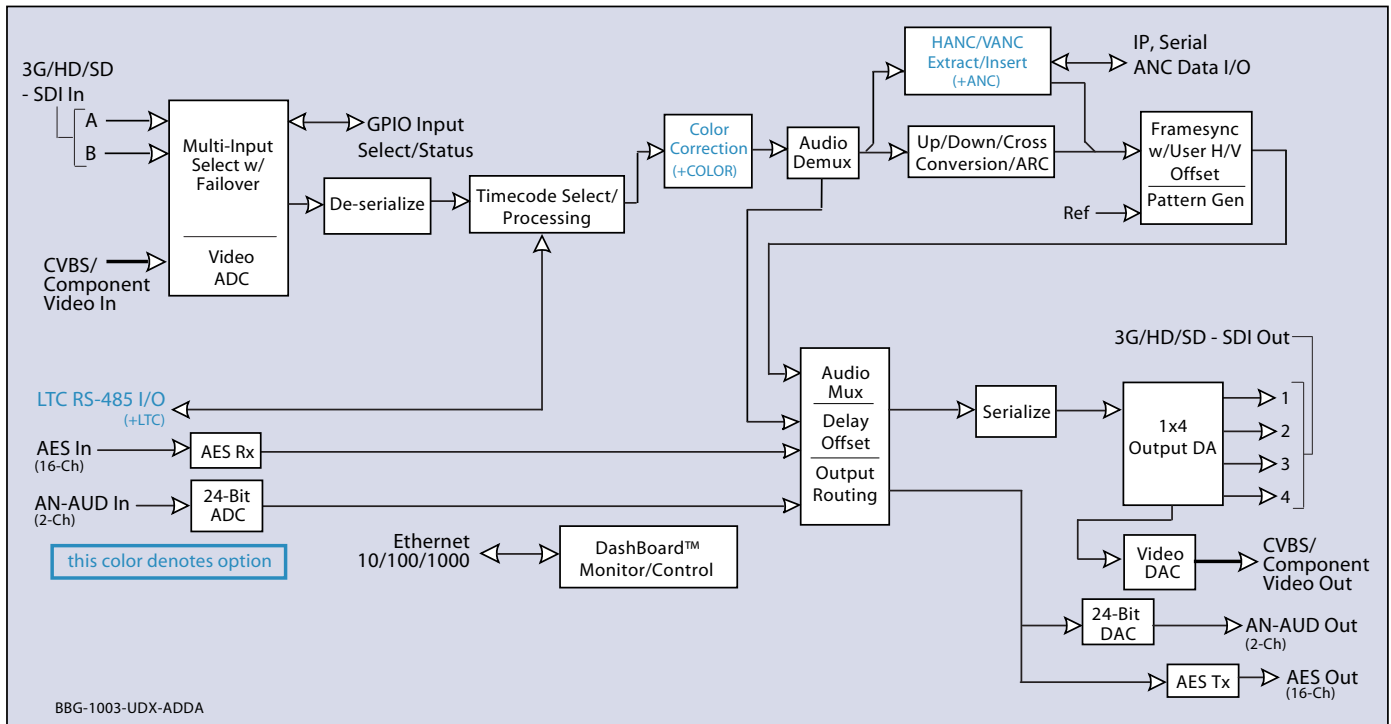
SCTE104 Frame-Accurate SCTE Trigger Insertion Option (**+SCTE104-FAST**) – Uses Time Stamp data derived from broadcast automation to provide deterministic, frame-accurate Digital Program Insertion (DPI) message embedding into SDI. The linear channel is output with precise metadata marking the beginning and ending of each program and commercial segment, optimizing it for automatic dissemination to CDN and VOD systems.

1RU Mounting Tray (supports 3 units) (**BBG-1000-TRAY**)

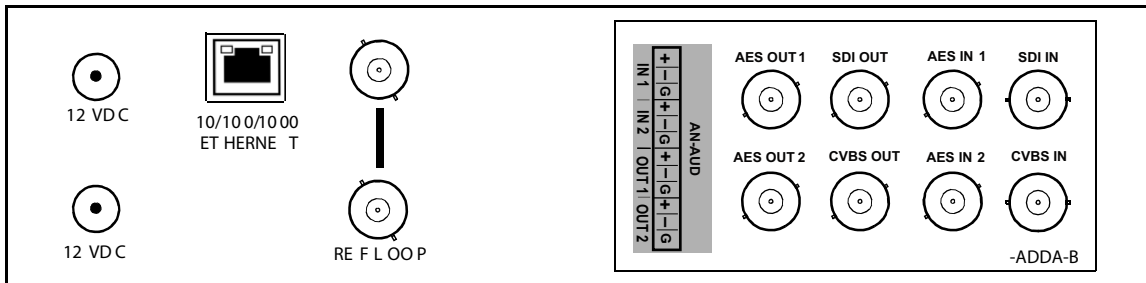
Redundant Power Supply Module (**BBG-1000-PS**)



BBG-1003-UDX-ADDA • 3G/HD/SD-SDI Standalone Universal Format Converter/Frame Sync with CVBS/YPbPr Video I/O, Up/Down/Cross Conversion, Frame Sync, AES and Analog Audio Embedding / De-Embedding

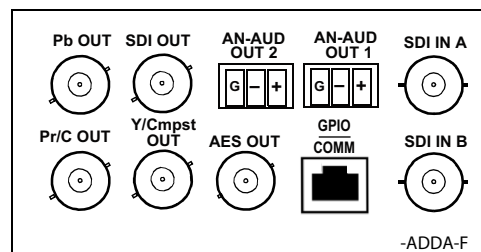
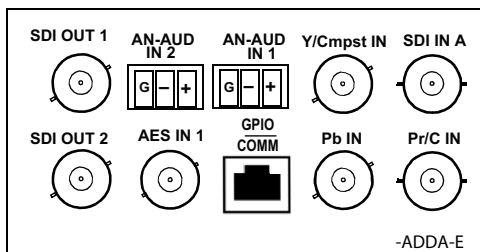
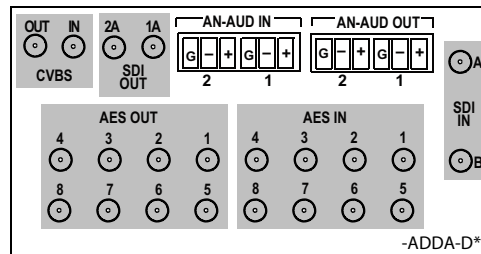


Rear Panel



* -D model available as -DIN (DIN 1.0/2.3 connectors) or -HDBNC (HD-BNC connector)

-E model is analog video IN, AN-AUD IN, AES IN model.
 -F model is analog video OUT, AN-AUD OUT, AES OUT model.
 See Ordering Info,



BBG-1003-UDX-ADDA • 3G/HD/SD-SDI Standalone Universal Format Converter/Frame Sync with CVBS/YPbPr Video I/O, Up/Down/Cross Conversion, Frame Sync, AES and Analog Audio Embedding / De-Embedding

SPECIFICATIONS

Power

< 13 Watts. Power supplied by 12VDC AC adapter, universal input (included).

SDI Input/Outputs

Up to (2) 75Ω BNC inputs

Up to (4) 75Ω BNC outputs

SDI Formats Supported: SMPTE 259M, SMPTE 292M, SMPTE 424M

SDI Receive Cable Length: 3G/HD/SD: 120/180/320 m (Belden 1694A)

SDI Return Loss: >15 dB up to 1.485 GHz; >10 dB up to 2.970 GHz

SDI Alignment Jitter: 3G/HD/SD: < 0.3/0.2/0.2 UI

Timing Jitter: 3G/HD/SD: < 2.0/1.0/0.2 UI

Note: SDI Return loss and receive cable length are affected by rear I/O module used. Specifications represent typical performance.

Analog Video Input/Outputs

(1) 75Ω BNC CVBS input

(1) 75Ω BNC CVBS output. CVBS can be upscaled to any supported SDI format; all SDI formats can be downconverted to CVBS.

75Ω BNC Component Video inputs (Y, Cb, Cr)

75Ω BNC Component Video outputs (Y, Cb, Cr)

ADC resolution: 10-bit

Sampling frequency: 54 MHz (4x over-sampling SD)

SD Y/C separation: 5-line Adaptive Comb Filter

SD Freq. Response: ± 0.25 dB to 5.5 MHz

SD SNR: > 55 dB to 5.5 MHz (unweighted)

Differential Phase: < 1 degree

Differential Gain: < 1%

Nonlinearity < 1%

HD Freq. Response: Y 30 MHz., PbPr 15 MHz

HD SNR: > 55 dB to 30 MHz (unweighted)

Discrete Audio Input/Outputs

(8) AES-3id 75Ω BNC input

(8) AES-3id 75Ω BNC output

(2) Balanced analog audio inputs

(2) Balanced analog audio outputs

I/O conforms to 0 dBFS = +24 dBu

Analog Input Impedance: >10 kΩ

Analog Reference Level: -20 dBFS

Analog Nominal Level: +4 dBu

Analog Input Clip Level: +24 dBu (0 dBFS)

Analog Freq. Response: ±0.2 dB (20 Hz to 20 kHz)

Analog SNR: 115 dB (A weighted)

Analog THD+N: -96 dB (20 Hz to 10 kHz)

Analog Crosstalk: -106 dB (20 Hz to 20 kHz)

ARC

ARC manually configurable (custom) or automatic triggering in full compliance/conformity with AFD (SMPTE 2016), VI (RP186), and WSS triggering.

GPIO/COMM

(2) GPI configurable to select input routing. (2) GPO configurable to invoke upon input selected. RS-232/485 comm port. All connections via rear module RJ-45 GPIO/COMM jack.

Control/Monitor Interface

Front panel network setup. DashBoard remote control via 10/100/1000 Ethernet port.

Frame Reference Input

Looping 2-BNC connection. SMPTE 170M/318M "Black Burst", SMPTE 274M/296M "Tri-Level"

Return Loss: >35 dB up to 5.75 MHz

Physical

Dimensions (WxHxD): 5.7 x 1.4 x 14.7 in (14.5 x 3.5 x 37.3 cm) Dimensions include connector projections.

Weight: 6 lb (2.8 kg)

BBG-1003-UDX-ADDA • 3G/HD/SD-SDI Standalone Universal Format Converter/Frame Sync with CVBS/YPbPr Video I/O, Up/Down/Cross Conversion, Frame Sync, AES and Analog Audio Embedding / De-Embedding

ORDERING INFORMATION

BBG-1003-UDX-ADDA 3G/HD/SD-SDI Standalone Universal Format Converter/Frame Sync with CVBS/YPbPr Video I/O, Up/Down/Cross Conversion, Frame Sync, AES and Analog Audio Embedding / De-Embedding available in the following rear-panel I/O configurations:

BBG-1003-UDX-ADDA-B (1) 3G/HD/SD-SDI Input BNC, (1) CVBS Input BNC, (2) Balanced Analog Audio Inputs, (2) AES Input BNCs, (1) 3G/HD/SD-SDI Output BNC, (1) CVBS Out BNC, (2) Balanced Analog Audio Outputs, (2) AES Output BNCs

BBG-1003-UDX-ADDA-D-DIN (2) 3G/HD/SD-SDI Inputs, (1) CVBS Input, (8) AES Inputs, (2) Balanced Analog Audio Inputs, (2) 3G/HD/SD-SDI Outputs, (1) CVBS Processed Output, (8) AES Outputs, (2) Balanced Analog Audio Outputs (All coaxial connectors DIN1.0/2.3)

BBG-1003-UDX-ADDA-D-HDBNC (2) 3G/HD/SD-SDI Inputs, (1) CVBS Input, (8) AES Inputs, (2) Balanced Analog Audio Inputs, (2) 3G/HD/SD-SDI Outputs, (1) CVBS Processed Output, (8) AES Outputs, (2) Balanced Analog Audio Outputs (All coaxial connectors HD-BNC)

BBG-1003-UDX-ADDA-E (1) 3G/HD/SD-SDI Input BNC, Component/CVBS In BNCs, (1) AES In BNC, (2) Balanced Analog Audio Inputs, (2) 3G/HD/SD-SDI Output BNCs, (1) GPIO/COMM RJ-45 connector

BBG-1003-UDX-ADDA-F (2) 3G/HD/SD-SDI Input BNCs, Component/CVBS Out BNCs, (1) AES Out BNC, (2) Balanced Analog Audio Outputs, (1) 3G/HD/SD-SDI Output BNC, (1) GPIO/COMM RJ-45 connector

Options and Accessories:

+LTC Audio LTC I/O Option

+COLOR Color Correction Option

+ANC Ancillary Data Processor Option

+SCTE104 SCTE 104 Insertion Option

+SCTE104-FAST Frame-Accurate SCTE 104 Trigger Insertion Option

BBG-1000-PS Redundant Power Supply Module

BBG-1000-TRAY 1RU Mounting Tray (supports 3 units)