

# BBG-1023-DSK-LG • 3G/HD/SD-SDI Standalone Downstream Keyer with Dual Key/Fill Paths and Logo Insertion



The Cobalt® **BBG-1023-DSK-LG 3G/HD/SD-SDI Standalone Downstream Keyer with Dual Key/Fill Paths and Logo Insertion** provides flexible SDI downstream keying and logo insertion. The single program video input can be directed to either or both of two key/fill/logo insertion paths, allowing changing from one key/fill/insertion scheme to another in an instant. The device can also store up to four logo graphic files which can be flexibly inserted into either key/fill path. Two key/fill paths can be outputted simultaneously, with each path using uniquely different key/fill and logo insertions as desired. For each path, two discrete character burn strings and timecode can be inserted on output video.

The BBG-1023-DSK-LG is a perfect solution for flexible multi-market program branding and keyed character generator crawl insertion.

The compact standalone form factor allows desktop usage, as well as the 1/3-rack size of the BBG-1023-DSK-LG allowing 3 units to be installed in a 1RU space (an optional mounting tray is available that provides secure mounting of the units to a standard 19" frame).

## FEATURES

Dual independent key/fill engines and two processing paths allow changing from one key/fill/insertion scheme to another in an instant.

On-card memory stores logo/ID bug graphic files, with independent logo insertion on each key/fill path

Supports 3G/HD/SD-SDI inputs as program and key/fill

Convenient HDMI Preview Output allows preview of path 1 or path 2 outputs

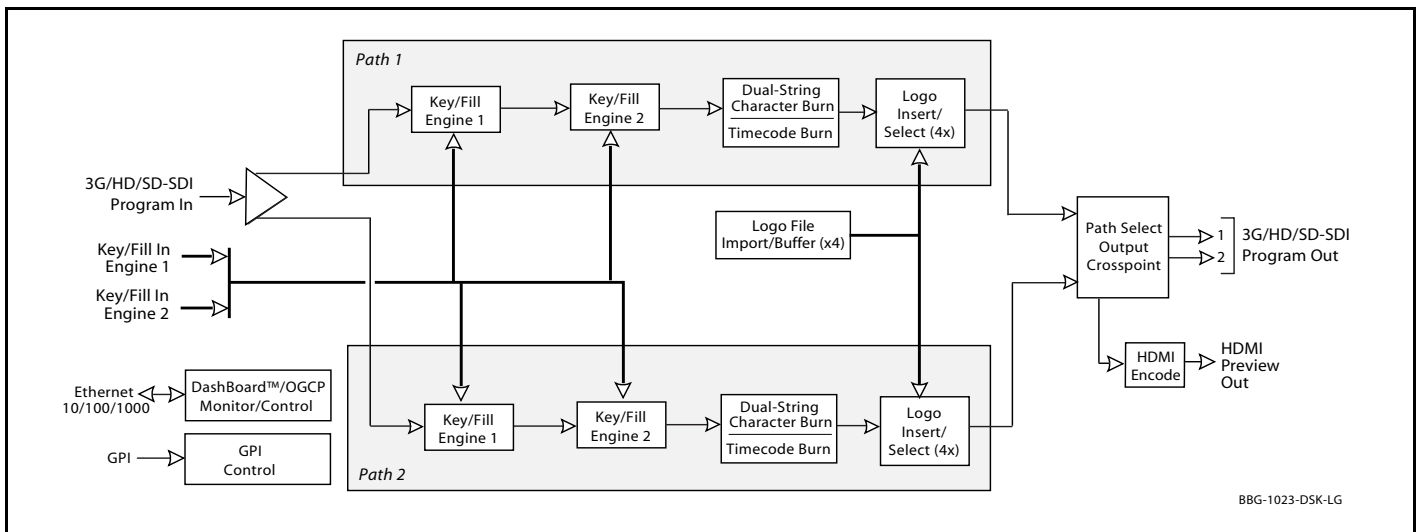
Per-path dual independent burn-in text string and timecode insertion

Remote control/monitoring via Dashboard™ software, OGCP-9000 Remote Control Panel, GPI, or Web Browser User Interface

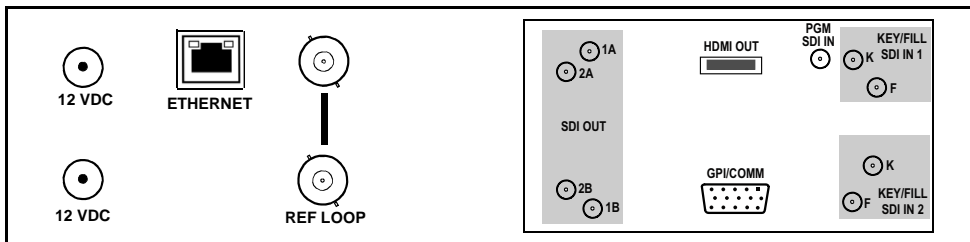
Redundant power supply option

Compact footprint - up to 3 units in a 1RU space. Optional tray provides secure captive-fastener mounting of 3 units in a 1RU tray.

Five year warranty



## Rear Panel



### GPI / COMM PINOUTS

- 1 - COM A\_RX2 / 422(+)
- 2 - COM A\_TX2 / 422(+)
- 3 - COM B\_RX2 / 422(+)
- 4 - GPO OUT1
- 5 - SHELL - GND
- 6 - COM A\_RX1 / 422(-)
- 7 - COM A\_TX1 / 422(-)
- 8 - COM B\_RX1 / 422(-)
- 9 - GPI IN5
- 10 - GPI IN4
- 11 - GPI IN1
- 12 - GPI IN2
- 13 - GPI IN3
- 14 - NC
- 15 - NC



# BBG-1023-DSK-LG • 3G/HD/SD-SDI Standalone Downstream Keyer with Dual Key/Fill Paths and Logo Insertion

## SPECIFICATIONS

### Power

< 18 Watts. Power supplied by 12VDC AC adapter, universal input (included).

### Video Input/Outputs

Video Inputs: (1) 3G/HD/SD-SDI Program Video SDI In; (2) 3G/HD/SD-SDI Key/Fill pair SDI In; all 75Ω

SDI Outputs: (2) 3G/HD/SD-SDI Program Video + Key/Fill SDI Out; 75Ω

HDMI Output: (1) HDMI output/preview (video only)

Formats Supported: SMPTE 259M, SMPTE 292M, SMPTE 424M

Receive Cable Length: 3G/HD/SD: 120/180/320 m (Belden 1694A)

Return Loss: >15 dB up to 1.485 GHz; >10 dB up to 2.970 GHz

Alignment Jitter: 3G/HD/SD: < 0.3/0.2/0.2 UI

### Audio Output

16-ch embedded

### Physical

Dimensions (WxHxD): 5.7 x 1.4 x 14.7 in (14.5 x 3.5 x 37.3 cm) Dimensions include connector projections.

Weight: 6 lb (2.8 kg)

## ORDERING INFORMATION

**BBG-1023-DSK-LG** 3G/HD/SD-SDI Standalone Downstream Keyer with Dual Key/Fill Paths and Logo Insertion, available in the following rear-panel I/O configurations:

**BBG-1023-DSK-LG-C-DIN** (1) 3G/HD/SD-SDI Program Video Input, (4) 3G/HD/SD-SDI Key/Fill Video Inputs (2 key/fill pairs), (2) 3G/HD/SD-SDI Program Video Outputs (user selectable as path 1 or path 2 key/fill program outputs), (1) HDMI/DVI Preview Output, (1) GPIO Port (HD-15), (all coaxial connectors DIN1.0/2.3)

**BBG-1023-DSK-LG-C-HDBNC** (1) 3G/HD/SD-SDI Program Video Input, (4) 3G/HD/SD-SDI Key/Fill Video Inputs (2 key/fill pairs), (2) 3G/HD/SD-SDI Program Video Outputs (user selectable as path 1 or path 2 key/fill program outputs), (1) HDMI/DVI Preview Output, (1) GPIO Port (HD-15), (all coaxial connectors HD-BNC)

### Accessories:

**BBG-1000-PS** Redundant Power Supply Module

**BBG-1000-TRAY** 1RU Mounting Tray (supports 3 units)