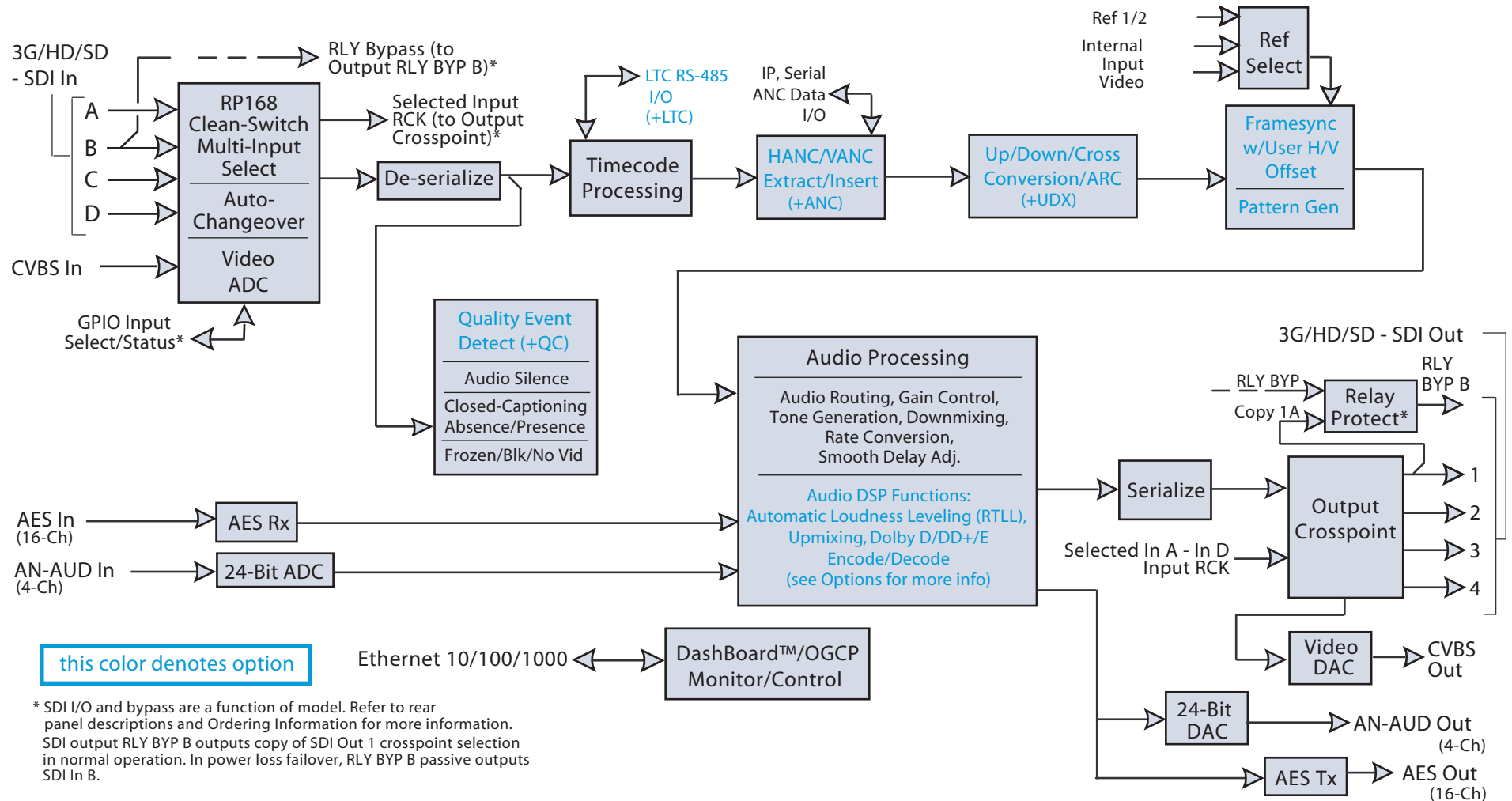


BBG-1034-AUD-PRO-DSP Block Diagram

3G/HD/SD-SDI Standalone Advanced Audio Processor

with DSP Audio Options Support and Full Embed/De-Embed



* SDI I/O and bypass are a function of model. Refer to rear panel descriptions and Ordering Information for more information. SDI output RLY BYP B outputs copy of SDI Out 1 crosspoint selection in normal operation. In power loss failover, RLY BYP B passive outputs SDI In B.