

BBG-1050-EMDE-ANC • 3G/HD/SD-SDI Standalone Ancillary Data Embedder/De-Embedder



The **BBG-1050-EMDE-ANC 3G/HD/SD-SDI Standalone Ancillary Data Embedder/De-Embedder** offers full VANC/HANC ancillary data de-embedding and embedding for 3G/HD/SD-SDI streams. The easy to use user interface allows direct access to DID and SDID locations to extract or insert user data such as camera PTZ, SCTE 104, closed-captioning read/insert, GPI/GPO via ANC, or other specialized user payloads.

Data insertion and extraction is via serial or IP interfaces. Easy to use DashBoard control provides for easy setup and configuration. The compact standalone form factor allows desktop usage, as well as the 1/3-rack size of the BBG-1050-EMDE-ANC allowing 3 units to be installed in a 1RU space (an optional mounting tray is available that provides secure mounting of the units to a standard 19" frame).

FEATURES

Full insertion/extraction access to DID/SDID ancillary data such as camera PTZ, SCTE 104, closed captioning, GPI/GPO via ANC, and other specialized user payloads. HANC/VANC data interchange between SDI and GPIO, serial, and IP/Ethernet interfaces.

(Option +SCTE104) – SCTE 104 Insertion provides generation/insertion of SCTE 104 data into baseband SDI. Message send can be triggered from automation GPI or other modes. Full control of splice start, end, and cancel as well as pre-roll offsets.

Full user VANC/HANC access

SMPTTE 337 embed/de-embed allows serial user data to be embedded and de-embedded over unused embedded audio pairs.

Low latency pass-thru for all 3G/HD/SD-SDI payloads

(Option +LTC) – Provides LTC embed to SDI from embedded audio or external RS-485 LTC sources. Also provides de-embed from SDI of timecode as embedded audio LTC or RS-485 LTC.

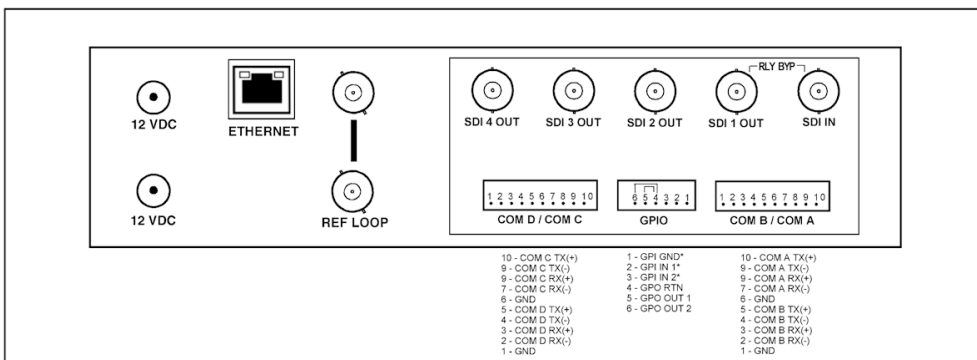
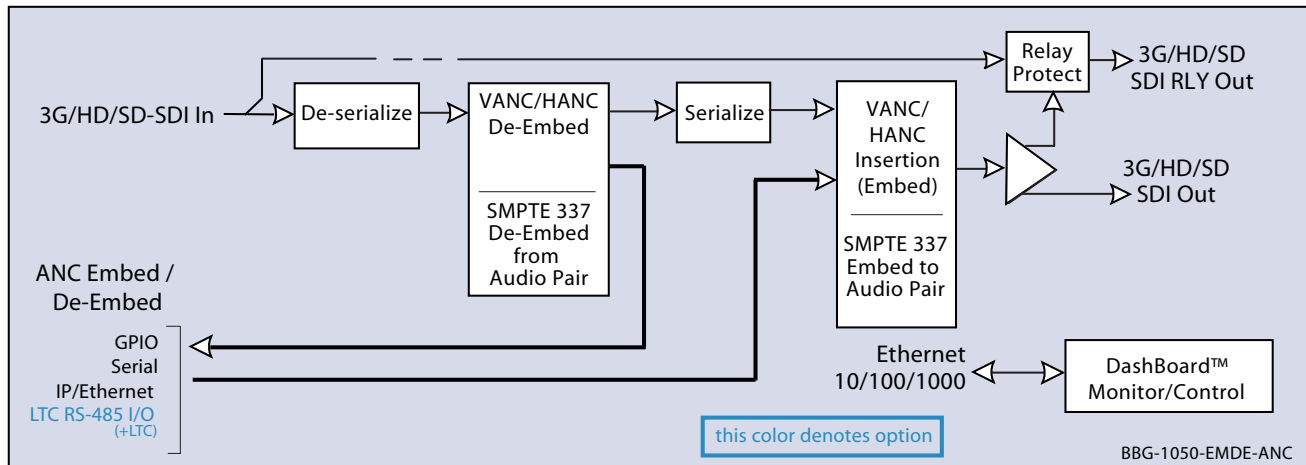
SCTE104 Frame-Accurate SCTE Trigger Insertion Option (+SCTE104-FAST) – Uses Time Stamp data derived from broadcast automation to provide deterministic, frame-accurate Digital Program Insertion (DPI) message embedding into SDI. The linear channel is output with precise metadata marking the beginning and ending of each program and commercial segment, optimizing it for automatic dissemination to CDN and VOD systems.

Latching relay protect SDI output provides input SDI bypass backup even in the event of power failure

Compact footprint – up to 3 units in a 1RU space. Optional tray provides secure captive-fastener mounting of 3 units in a 1RU tray.

Uses DashBoard remote control (device appears as single-card frame)

Five year warranty



Rear Panel



BBG-1050-EMDE-ANC • 3G/HD/SD-SDI Standalone Ancillary Data Embedder/De-Embedder

SPECIFICATIONS

Power

<18 Watts. Power supplied by 12VDC AC adapter, universal input (included).

SDI Input/Output

Number of Inputs: (1) 3G/HD/SD-SDI 75Ω BNC

Standards: SMPTE 259M, 292M, 424M

Supported Formats:

1080p60, 59.94, 50, 29.97, 25, 24, 23.98

1080i60, 59.94, 50

720p60, 59.94, 50, 29.97, 25, 24, 23.98

625i50, 525i59.94

Return Loss: 15 dB up to 1.485 GHz, 10 dB up to 2.970 GHz

Number of Outputs: (1) 3G/HD/SD-SDI 75Ω BNC

SDI Signal Level: 800 mV nominal

SDI Return Loss: >15 dB up to 1.485 GHz, >10 dB up to 2.970 GHz

Reference Video Input

Looping 2-BNC connection. SMPTE 170M/318M "Black Burst", SMPTE 274M/296M "Tri-Level"

Return Loss: >35 dB up to 5.75 MHz

ORDERING INFORMATION

BBG-1050-EMDE-ANC 3G/HD/SD-SDI Standalone Ancillary Data Embedder/De-Embedder

+SCTE104 SCTE 104 Insertion Option

+SCTE104-FAST Frame-Accurate SCTE 104 Trigger Insertion Option

+LTC Audio/RS-485 LTC Embed/De-Embed Option

BBG-1000-PS Redundant Power Supply Module

BBG-1000-TRAY 1RU Mounting Tray (supports 3 units)