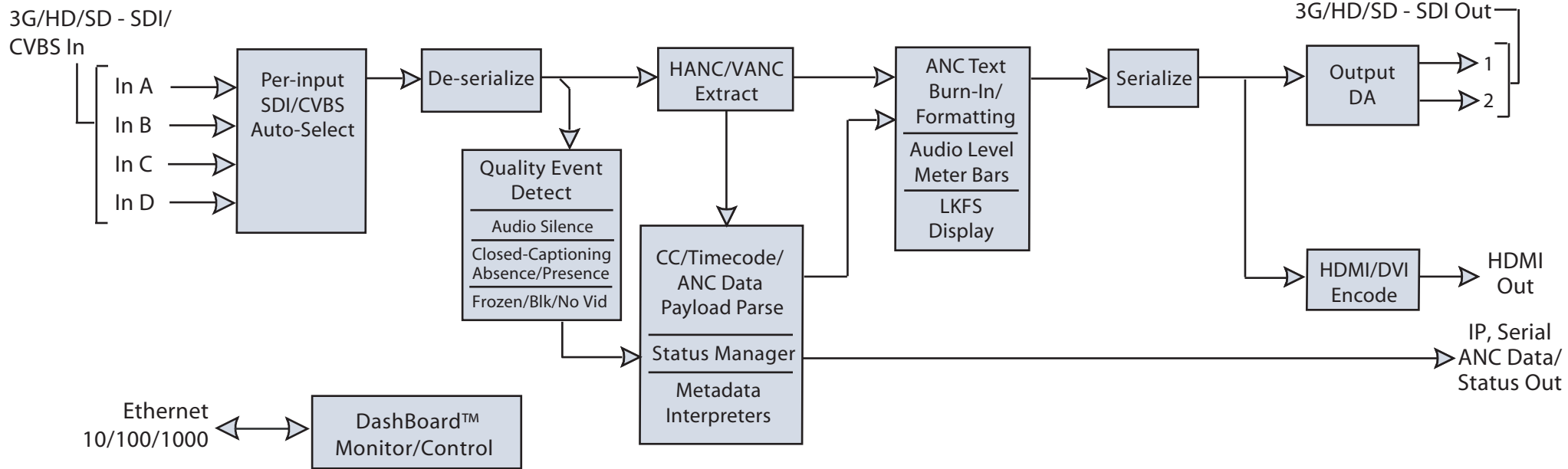


BBG-1078-ANC-MON Block Diagram

3G/HD/SD-SDI Standalone Ancillary Data Monitoring Probe

with Multiple-Protocol Data Payload SDI/HDMI Display and Fault Detection/Forwarding



this color denotes option