

# BBG-1078-ANC-MON • 3G/HD/SD-SDI Standalone Ancillary Data Monitoring Probe with Multiple-Protocol Data Payload SDI/HDMI Display and Fault Detection/Forwarding



The Cobalt® **BBG-1078-ANC-MON 3G/HD/SD-SDI Standalone Ancillary Data Monitoring Probe with Multiple-Protocol Data Payload SDI/HDMI Display and Fault Detection/Forwarding** provides an easy to use, economical solution that offers comprehensive ancillary data monitoring/"probing" to validate and ensure expected presence and handling of ancillary data in SDI streams.

Unlike expensive and hard to use waveform monitors, the BBG-1078-ANC-MON shows status in "plain language" on-screen overlays. Unlike typical test equipment, its user interface is designed from the ground up to be used by everyday operations personnel and not just engineers. The status burn-in is available on the card SDI output as well as a convenience HDMI output that can be directly connected to a wall monitor.

In addition to its user interface, the BBG-1078-ANC-MON can integrate with automation systems via its IP and SNMP interfaces. The BBG-1078-ANC-MON is an unprecedented first in a compact standalone form factor that fits in your existing environment without the need for expensive, delicate, bulky test gear. The BBG-1078-ANC-MON supports and offers monitoring for many data packages such as closed captioning, SCTE 104, 608-XDS, AFD and others, providing not just presence/absence status but also interpreters that parse the payload and display it as a burn-in. Also included standard is a continuously running display of ATSC A/85 LKFS loudness.

The BBG-1078-ANC-MON can be remote-controlled using DashBoard™. The compact standalone form factor allows desktop usage, as well as the 1/3-rack size of the BBG-1078-ANC-MON allowing 3 units to be installed in a 1RU space (an optional mounting tray is available that provides secure mounting to a standard 19" frame).

Intuitive layout clearly and simultaneously showing multiple aspects of the input signal and its ancillary data are displayed in real time along with programming.

Conditions for any number of criteria are immediately apparent via color coding to indicate normal operation, errors, ancillary data absence or other errors. No difficult nested menus or difficult to interpret messages.



## FEATURES

Easy to use, economical solution for comprehensive ancillary data monitoring/"probing"

"Plain language" easy to understand status burn-in overlay displayed along with program video makes status monitoring easy. HDMI output allows use with standard consumer monitor panels.

Quality Check provides immediate alert status for quality issues such as black/frozen frame or audio silence. Threshold and hold-off are user configurable.

On-screen presence/absence of selected DID/SDIDs

Fully flexible and configurable with user presets to simplify setup

Closed Captioning, SCTE 104, AFD, and 608-XDS monitoring and payload interpret

Audio level bars display and LKFS numeric display

Full status forwarding to automated systems using IP and SNMP interfaces

Low-power/high-density design – less than 18 Watts

Compact footprint – up to 3 units in a 1RU space. Optional tray provides secure captive-fastener mounting of 3 units in a 1RU tray.

Uses DashBoard remote control (device appears as single-card frame)

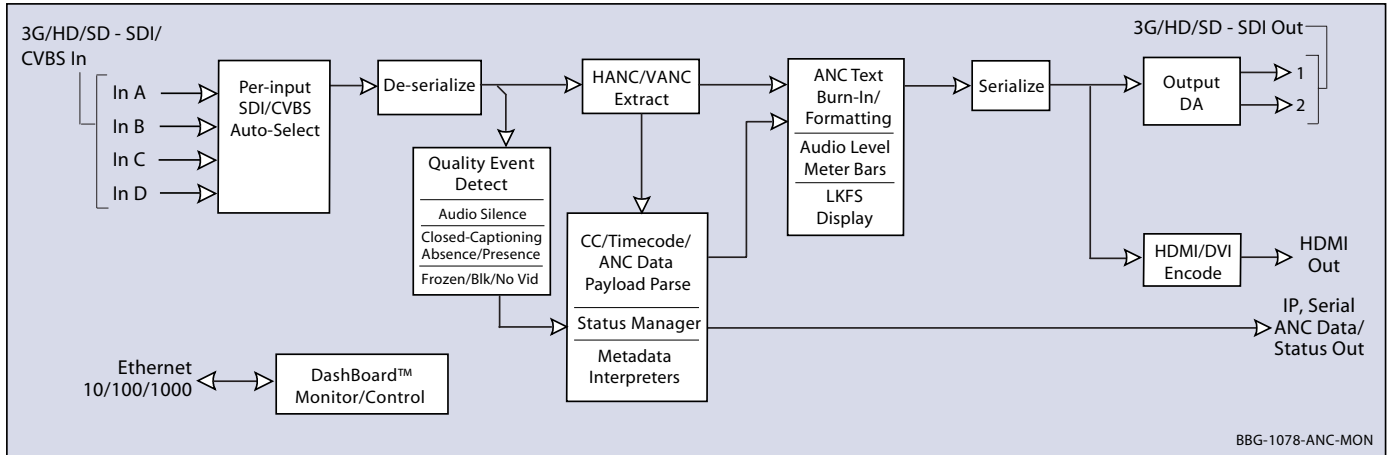
Five year warranty

## OPTIONS

1RU Mounting Tray (supports 3 units) (BBG-1000-TRAY)

Redundant Power Supply Module (BBG-1000-PS)

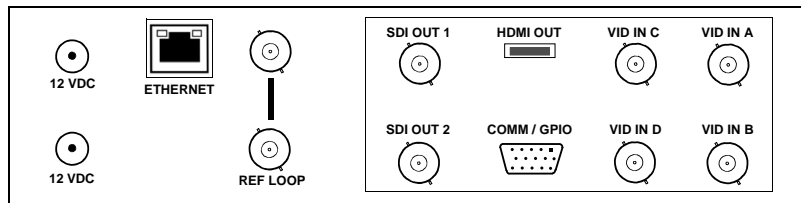
# BBG-1078-ANC-MON • 3G/HD/SD-SDI Standalone Ancillary Data Monitoring Probe with Multiple-Protocol Data Payload SDI/HDMI Display and Fault Detection/Forwarding



BBG-1078-ANC-MON

Note: Rear panel illustrations may show GPIO/COMM connections. These connections/functions are reserved and currently NC for this model.

## Rear Panel



## SPECIFICATIONS

**Power**  
 < 18 Watts. Power supplied by 12VDC AC adapter, universal input (included).

**Video Input/Outputs**  
 Video Inputs: (4) 75Ω BNC; auto-detect/setup for 3G/HD/SD-SDI or CVBS |  
 SDI Outputs: (2) 75Ω BNC  
 HDMI Output: (1) HDMI output with audio embedding  
 SDI Formats Supported: SMPTE 259M, SMPTE 292M, SMPTE 424M  
 SDI Receive Cable Length: 3G/HD/SD: 120/180/320 m (Belden 1694A)  
 SDI Return Loss: >15 dB up to 1.485 GHz; >10 dB up to 2.970 GHz

**Control/Monitor Interface**  
 Front panel network setup. DashBoard remote control via 10/100/1000 Ethernet port.

**Frame Reference Input**  
 Looping 2-BNC connection. SMPTE 170M/318M "Black Burst", SMPTE 274M/296M "Tri-Level"  
 Return Loss: >35 dB up to 5.75 MHz

**Physical**  
 Dimensions (WxHxD): 5.7 x 1.4 x 14.7 in (14.5 x 3.5 x 37.3 cm) Dimensions include connector projections.  
 Weight: 6 lb (2.8 kg)

## ORDERING INFORMATION

**BBG-1078-ANC-MON** 3G/HD/SD-SDI Standalone Ancillary Data Monitoring Probe with Multiple-Protocol Data Payload SDI/HDMI Display and Fault Detection/Forwarding

**BBG-1000-PS** Redundant Power Supply Module

**BBG-1000-TRAY** 1RU Mounting Tray (supports 3 units)