

BBG-1080-CSC-3G • 3G/HD/SD-SDI Standalone RGB Color Space Corrector / Frame Sync with Integrated Test Signal Generator and OGCP-9000/CC Control Panel Support



The Cobalt® **BBG-1080-CSC-3G 3G/HD/SD-SDI Standalone RGB Color Space Corrector / Frame Sync with Integrated Test Signal Generator and OGCP-9000/CC Control Panel Support** provides a high-density standalone solution that includes an advanced frame sync/pattern generator in addition to a full-featured SD/HD/3G color corrector. The BBG-1080-CSC-3G offers RGB-space color correction with YCbCr proc features with RGB processing controls providing full offset, gain and gamma adjustments. The YCbCr proc controls provide lift, gain, saturation, phase, white clip (hard and soft), black clip, and color saturation clip.

The built-in pattern generator preceding the color correction block allows patterns (such as 75% or 100% bars) to be pre-emphasized or de-emphasized by the color corrector to match on-set camera colorimetry, with the custom settings saved to a preset, resulting in one-button recall of monitor/camera calibration settings. Any custom settings can be saved to user presets for instant recall via DashBoard or our intuitive OGCP-9000/CC Color Correction Remote Control Panel.

Preset save/load allows saving custom settings while allowing one-button revert to factory settings. Layered presets allow invoking changes related only to a specific area of concern (audio routing, for example) while not changing any other processing settings or aspects. The BBG-1080-CSC-3G can be remote-controlled using DashBoard™. The compact standalone form factor allows desktop usage, as well as the 1/3-rack size of the BBG-1080-CSC allowing 3 units to be installed in a 1RU space (an optional mounting tray is available that provides secure mounting of the units to a standard 19" frame).

FEATURES

Full RGB color corrector (offset, gain, gamma)

Frame Sync with full H/V offset and manual/LOS video pattern generator. Pattern generator in front of color corrector provides custom offset calibrations for on-set monitor/camera characteristics calibrated settings

Passes entire YCbCr gamut in unity gain configuration

10-bit gamma LUT

Extended YCbCr proc controls with white hard clip, white soft clip, black hard clip, and saturation clip

Phase preserved when applying saturation clip

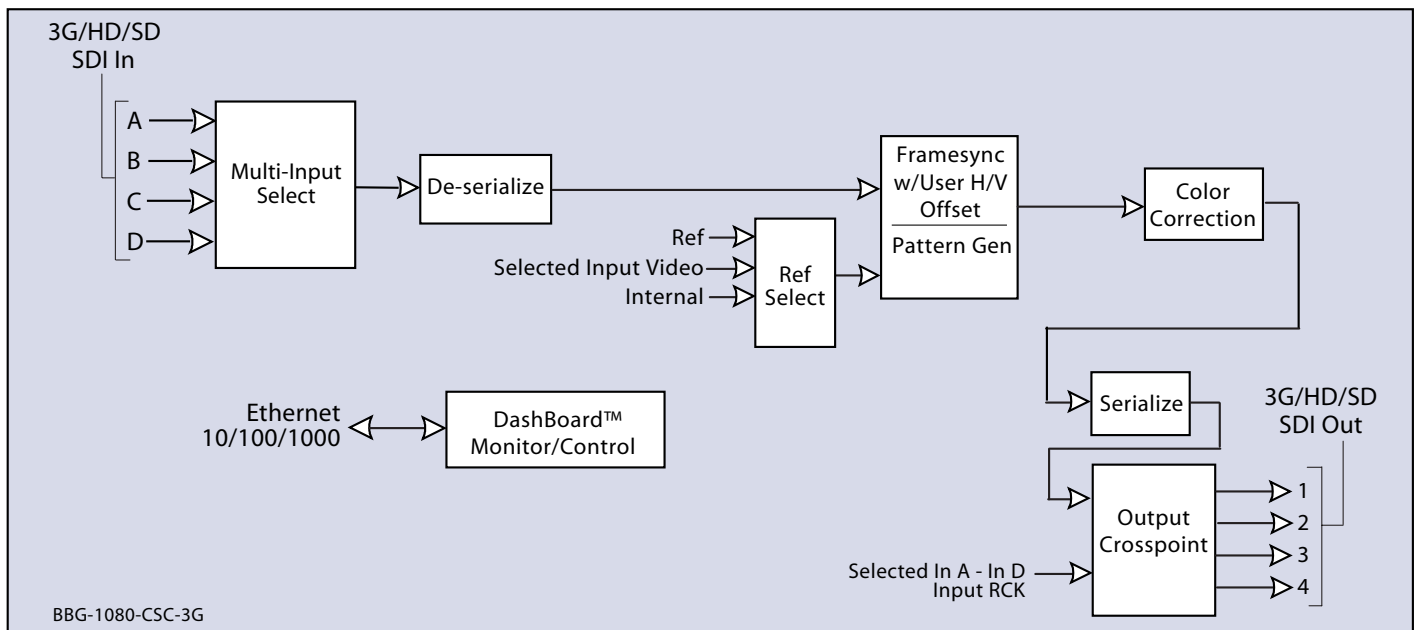
One button bypass of color correction for comparison purposes

Low-power/high-density design – less than 18 Watts

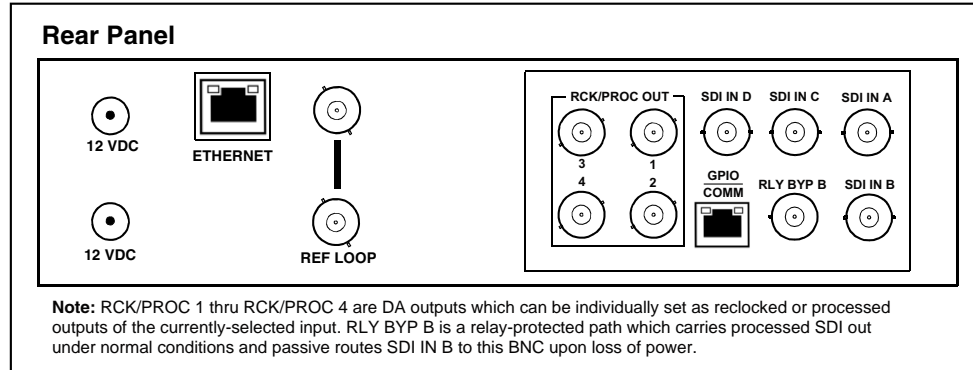
Compact footprint – up to 3 units in a 1RU space. Optional tray provides secure captive-fastener mounting of 3 units in a 1RU tray.

Uses DashBoard remote control (device appears as single-card frame)

Five year warranty



BBG-1080-CSC-3G • 3G/HD/SD-SDI Standalone RGB Color Space Corrector / Frame Sync with Integrated Test Signal Generator and OGCP-9000/CC Control Panel Support



SPECIFICATIONS

Power

< 18 Watts. Power supplied by 12VDC AC adapter, universal input (included).

SDI Input/Outputs

Up to (4) 75Ω BNC inputs
 Up to (4) 75Ω BNC outputs
 SDI Formats Supported: SMPTE 259M, SMPTE 292M, SMPTE 424M
 SDI Receive Cable Length: 3G/HD/SD: 120/180/320 m (Belden 1694A)
 SDI Return Loss: >15 dB up to 1.485 GHz; >10 dB up to 2.970 GHz
 SDI Alignment Jitter: 3G/HD/SD: < 0.3/0.2/0.2 UI
 Timing Jitter: 3G/HD/SD: < 2.0/1.0/0.2 UI
 Minimum Latency (frame sync disabled): SD: 127 pixels (9.4 us); 720p: 330 pixels (4.45 us); 1080i: 271 pixels (3.65 us); 1080p: 361 pixels (2.43 us)

Frame Sync Delay

Max offset: 20 frames
 Latency (min): 1 frame

Frame Reference Input

Looping 2-BNC connection. SMPTE 170M/318M "Black Burst", SMPTE 274M/296M "Tri-Level"
 Return Loss: >35 dB up to 5.75 MHz

RGB Color Correction

RGB Black Adjust (one per primary): -100% to 100% in 0.1% steps
 RGB White Adjust (one per primary): 0% to 200% in 0.1% steps
 RGB Gamma Control (one per primary): 0.125 to 8.0 in 0.001 steps

YCbCr Processing Amp

White Adjust (Gain): 0 to 200% in 0.1% steps
 Black Adjust (Lift): -100% to 100% in 0.1% steps
 C Gain (Saturation): 0% to 200% in 0.1% steps
 Color Phase: -360° to +360° in 0.1 degree steps

YCbCr Clip

Y Black hard clip (values limited at or above): -6.8% to 50% in 0.1% steps
 Y White hard clip (values limited at or below): 50% to 109.1% in 0.1% steps
 Y White soft clip (values rolled off at): 50% to 109.1% in 0.1% steps
 CbCr Saturation clip (values limited at or below): 50% to 160% in 0.1% steps

GPIO/COMM

(2) GPI configurable to select input routing. (2) GPO configurable to invoke upon input selected. RS-232/485 comm port. All connections via rear module RJ-45 GPIO/COMM jack.

Control/Monitor Interface

Front panel network setup. DashBoard remote control via 10/100/1000 Ethernet port.

Physical

Dimensions (WxHxD): 5.7 x 1.4 x 14.7 in (14.5 x 3.5 x 37.3 cm) Dimensions include connector projections.
 Weight: 6 lb (2.8 kg)

ORDERING INFORMATION

BBG-1080-CSC-3G 3G/HD/SD-SDI Standalone RGB Color Space Corrector / Frame Sync with Integrated Test Signal Generator and OGCP-9000/CC Control Panel Support

BBG-1000-PS Redundant Power Supply Module

BBG-1000-TRAY 1RU Mounting Tray (supports 3 units)

OGCP-9000/CC 2RU Remote Control Panel for Color Correction (Specify country of destination for power cord)