

# BBG-1090-RTR-MPEG-IP • Streaming IP (MPEG-TS) Reclocking Distribution Amplifier and Router Standalone Unit



**BBG4000**

The **BBG-1090-RTR-MPEG-IP** offers a compact form-factor standalone solution for providing distribution copies of unicast or multicast IP streams. Unicast streams, by design, have only one destination and cannot easily be monitored by test equipment. To solve this, the BBG-1090-RTR-MPEG-IP provides copies that can easily be sent to multiple destinations for monitoring or other purposes. With the BBG-1090-RTR-MPEG-IP, the originating UDP/RTP stream can be replicated to reach its intended destination, as well as providing ample copies for monitoring or other purposes.

Using its two 1GigE RJ-45 ports, the BBG-1090-RTR-MPEG-IP supports up to 16 inputs, and up to 16 outputs. Each input can be replicated up to eight times. The BBG-1090-RTR-MPEG-IP also includes advanced redundancy protection features, allowing for automatic failover if the primary signal disappears. De-jittering and reclocking features help ensure reliable operation in all conditions and actually “cleans up” inputs with jittery IPGs. The BBG-1090-RTR-MPEG-IP can be remotely controlled and monitored with the free, easy-to-use DashBoard™ setup and control operator interface. (When connected to your network, the BBG-1090-RTR-MPEG-IP appears in DashBoard just like any other device.)

## FEATURES

Compact self-contained form with built-in AC power supply

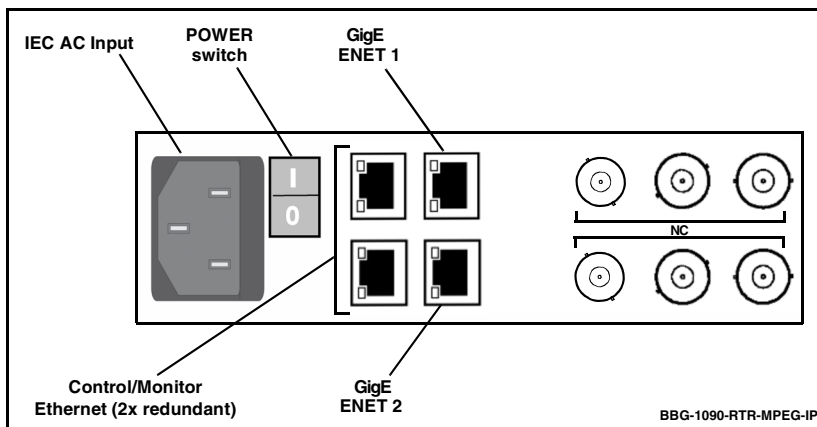
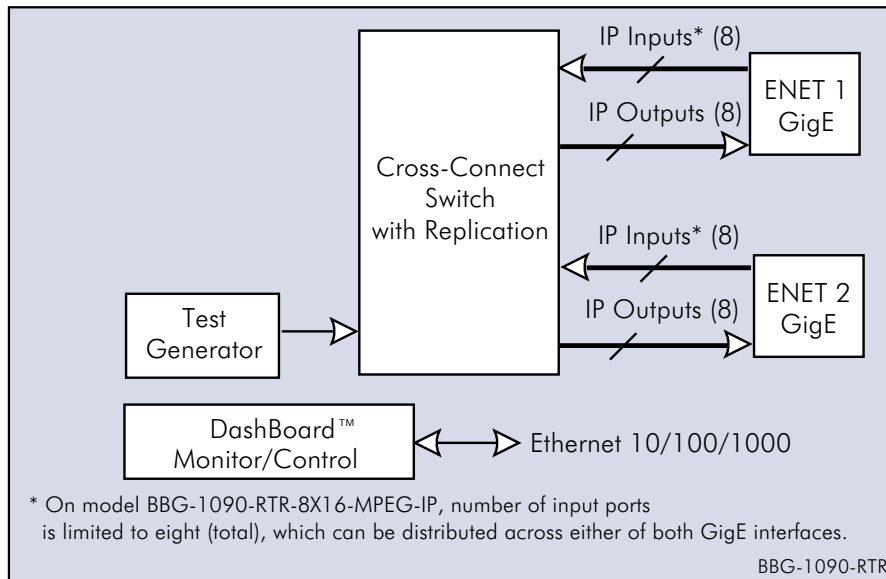
Economical standalone solution provides distribution copies of unicast or multicast IP streams

Up to 16x16 inputs and outputs using two 1GigE Ethernet ports

De-jittering and reclocking features help ensure reliable operation – even with jittery sources

Easy integration and control/monitoring via DashBoard remote control

Five year warranty



# BBG-1090-RTR-MPEG-IP • Streaming IP (MPEG-TS) Reclocking Distribution Amplifier and Router Standalone Unit

## SPECIFICATIONS

### Power

100-250 VAC, 47-63 Hz, 15W

### Routing Capacity

Model BBG-1090-RTR-8X16-MPEG-IP: 8 inputs available for routing to up to 16 outputs. Outputs can be on either or both GigE ports.

Model BBG-1090-RTR-16X16-MPEG-IP: 16 inputs available for routing to up to 16 outputs. Outputs can be on either or both GigE ports.

**Note:** For all models, the two GigE ports each are limited to 8 inputs and 8 outputs per port. Also, replication limit is 8 (i.e., a given input can be replicated only up to 8 copies).

### Network I/O

Number of ports: (2) 1GigE RJ-45

IPv4, IPv6, UDP, and RTP

900 Mb/s usable GbE per Rx port

900 Mb/s usable GbE per Tx port

2 Gb/s maximum processing per card

**Note:** SMPTE-2022 FEC is not supported. FEC packets are discarded at the input and not generated at the output.

### Regulatory Compliance

CE: CE marked in accordance with 93/68/EEC (22/07/03) Directive

UL: UL approval

US FCC: Part 15

EMC: EN55022, EN55024, EN6100-3-2

### Physical

Dimensions (WxHxD): 5.8 x 1.8 x 14 in (14.7 x 4.6 x 35.6 cm) (including component projection)

## ORDERING INFORMATION

**BBG-1090-RTR-8X16-MPEG-IP** 8x16 Streaming IP (MPEG2-TS) Reclocking Distribution Amplifier and Router Standalone Unit

**BBG-1090-RTR-16X16-MPEG-IP** 16x16 Streaming IP (MPEG2-TS) Reclocking Distribution Amplifier and Router Standalone Unit

**+9990RTR-16X16** Upgrades BBG-1090-RTR-8X16-MPEG-IP to model BBG-1090-RTR-16X16-MPEG-IP (adds 8 inputs for a total available of 16 inputs)

**+TRAY** 1 RU Rack Mount Tray (supports up to 3 units)