

BBG-1190-DEC-MPEG • Standalone MPEG4 AVC and MPEG2 Decoder with ASI and IP Inputs and SDI Outputs



The Cobalt® **BBG-1190-DEC-MPEG Standalone MPEG4 AVC and MPEG2 Decoder** with ASI and IP Inputs and SDI Outputs provides a high performance real-time MPEG-2 and MPEG-4 SD and HD video decoding solution. Its design is practically future proof and decodes traditional video formats such as UDP and RTP (MPEG Transport Stream) as well as Internet and Mobile formats such as RTMP (Adobe® Flash) and HLS (Apple® HTTP Live Streaming). In addition to full remote control/monitoring via Dashboard™ software, the advanced front panel display/user interface allows initial and basic configuration setup without needing a computer or connection to remote control.

The BBG-1190-DEC-MPEG supports newer cameras that output RTMP and security cameras that output RTSP. Its low power design saves on operating expenses. IP and DVB-ASI input streams are supported, with outputs as ASI, DVB-ASI, SDI, HDMI, and CVBS (for SD streams) using MPEG4 AVC or MPEG2 decoding. The BBG-1190-DEC-MPEG can decode from several audio codecs and provides Dolby® pass-thru. SMPTE-2038 processing allows de-embedding SMPTE-2038 generic ancillary data packets. Low-profile packaging fits 1 RU installations. Full user Dashboard™ remote control allows full status and control

access locally or across a standard Ethernet network. A complete SNMP MIB is also included.

FEATURES

- Comprehensive MPEG decoding solution – MPEG4 AVC and MPEG2 to ASI, SDI, HDMI and CVBS with built-in audio codecs. Convenience IP output also.
- IP reception of unicast or multicast
- DVB-ASI Turnaround to IP and ASI with SPTS Splitting
- Supports RTMP and RTSP sources
- MPEG-1 Layer II, AAC -LC, AAC-HE, E-AC-3 and AC-3 audio codecs standard (Dolby pass-thru; Dolby decode

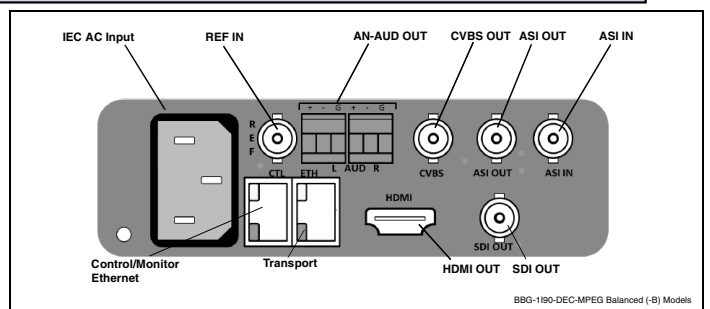
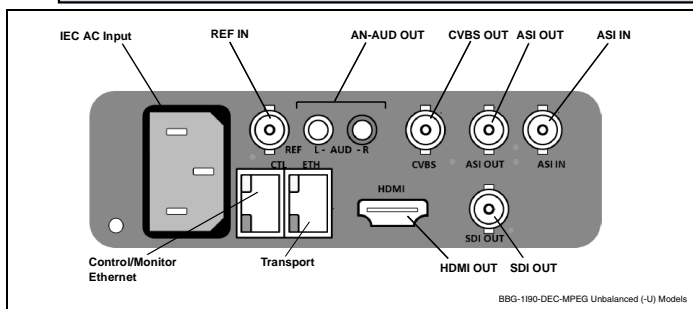
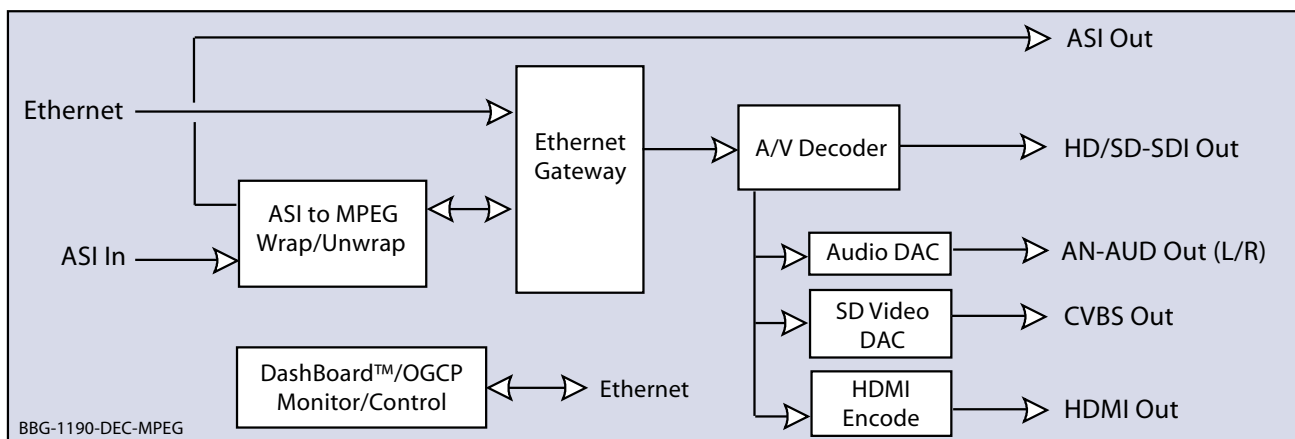
- SMPTE-2038 processing allows de-embedding of SMPTE-2038 generic ancillary data packets
- SCTE-35 to SCTE-104 conversion
- Support for RTP/ARQ interoperability with **+RTP/ARQ** Cobalt Encoder option. (Decoder **+ARQ** license included standard.)
- Support for selecting desired video PID in multi-angle streams. Several options available for scalable configuring

- SNMP MIB included
- Low-power/high-density design – less than 14 Watts
- Dual-redundant internal power supplies
- Remote control/monitoring via Dashboard™ software. Advanced front panel display/user interface allows initial and basic configuration setup without needing connection to external network or remote control.
- Five year warranty

OPTIONS

- Dolby® Decode License (+DEC-DDEC) – Allows Dolby audio to be decoded as SDI embedded PCM audio or analog audio output
- SMPTE 2022 Forward Error Correction License (+FEC)
- Automatic Repeat Request, Error Correction Assigned For Live Video Over IP / Internet Based on the Reliable Internet Streaming Transport (RIST) Standard (+RIST/ARQ-DEC)

- Monitoring License (+TSMON)
- Genlock License (+GENLOCK)
- RTMP Server License (+DEC-RTMP-SVR)
- Stream Splitting License Option (+SPTS)
- Mounting Tray (holds up to three BBG-1100 series units) (BBG-1100-TRAY)



BBG-1190-DEC-MPEG • Standalone MPEG4 AVC and MPEG2 Decoder with ASI and IP Inputs and SDI Outputs

SPECIFICATIONS

Power

100-250 VAC, 47-63 Hz, 8 Watts max.

Inputs

- (1) DVB-ASI 75Ω BNC
- (1) IP; 1000Base-T RJ-45

Outputs

- (1) HD/SD-SDI 75Ω BNC (4:2:2 10-bit)
- (1) CVBS 75Ω BNC
- (1) DVB-ASI 75Ω BNC
- (1) HDMI
- (2) Analog Audio Out L/R (balanced 3-pin terminals or unbal RCA depending on model)

Network Transport Protocols

- UDP (Unicast or Multicast)
- RTP (Unicast or Multicast)
- RTMP Client or Server (Adobe Flash)
- RTSP (Security Camera)
- SMPTE 2022 Pro-MPEG-FEC
- ARQ
- HTTP Live Streaming (HLS) client

Video Resolution

- 3G: 1920 x 1080p - 50/59.94/60
- HD: 1920 x 1080i - 50/59.94/60
- 720 x 1280p - 50/59.94
- SD: 480 x 720 - 29.97
- 576 x 720 - 25

Video Codec Supported

- MPEG-2
- H.264 4:2:0 High Profile

Audio Codec Supported/Processing

- MPEG-1 Layer 2 (mp2)
- AAC-LC
- HE-AAC
- AC-3, E-AC-3 (Dolby® pass-thru)

Regulatory Compliance

- CE: CE marked in accordance with 89/336/EEC, 72/23/EEC and 1999/5/EEC Directive
- UL: UL approval
- US FCC: Part 15
- EMC: EN55022, EN55024, EN6100-3-2
- Safety: IEC60950
- RoHS: 2011/65/EU
- WEEE: 2012/19/EU

Physical

- Dimensions (WxDxH): 5.8 x 14 x 1.7 in (14.6 x 35.6 x 4.4 cm) (including component projection)
- Operating Temperature/Humidity: 32°F to 122°F (0°C to 50°C); 5% to 95% non-condensing

ORDERING INFORMATION

BBG-1190-DEC-MPEG Standalone MPEG4 AVC and MPEG2 Decoder with ASI and IP Inputs and SDI Outputs, available in the following rear-panel I/O configurations:

BBG-1190-DEC-MPEG-B Balanced analog audio outputs

BBG-1190-DEC-MPEG-U Unbalanced (RCA) analog audio outputs

+DEC-DDEC Dolby® Decode License Option

+FEC SMPTE 2022 Forward Error Correction License Option

+GENLOCK Genlock License Option

+DEC-RTMP-SVR RTMP Server License Option

+IP IP License Option

+SPTS SPTS Stream Splitting License Option

+TSMON Monitoring License Option

+DEC-RTMP-SVR RTMP Server License Option

+RIST/ARQ-DEC Automatic Repeat Request License, Error Correction Assigned For Live Video Over IP / Internet Based on the Reliable Internet Streaming Transport (RIST) Standard

BBG-1100-TRAY 1 RU Rack Mount Tray (supports up to 3 BBG-1100 series units)