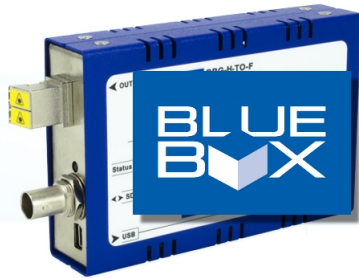


BBG-2EO-MK2 • 3G/HD/SD-SDI / ASI / MADI Fiber Optic Dual Transport Transmitter



The **BBG-2EO-MK2 Dual Coax-To-Fiber** throw-down converter unit is a new part of the Blue Box group of compact, rugged, and portable converter boxes. Super-easy to use, Blue Box Dual Coax-To-Fiber supports SMPTE 424M, 292M, and 259M as well as ASI and MADI audio on two independent coax-to-fiber paths. Auto-mode EQ/reclocking automatically sets to the signal type being received while allowing unrecognized formats to be safely passed without reclocking (auto-reclock can also be manually disabled for either path as desired). Its wide operating range (from 5Mbps to 3Gbps) flexibly supports most professional digital serial communications. Fully error-free pathological pattern operation is fully compatible with other professional fiber video interfaces. SFP-based EO converters provide state-of-the-art fiber performance, power consumption, and compactness.

BBG-2EO-MK2 receives its operating power via a USB connection or using an AC adapter connection. These power sources can be simultaneously used to provide redundant power sourcing.

FEATURES

Dual independent fiber-to-coax paths – all in one easy to use throw-down box

Full support of 5Mbps thru 3Gbps transport conversions, with seamless auto-mode EQ/reclocking. No switches to set for different payloads.

Dual-channel input lock status indicators. Optical Tx power meter fields allow optical Tx confidence assessment.

Error-free pathological support. Full compatibility with other BlueBox™ Coax/Fiber units and Cobalt 9400-series openGear® frame-installed fiber cards.

Available with ST, LC, or FC fiber termination

Compatible with SMPTE 424M, 292M, 259M, 310M, M2S, DVB-ASI, and MADI audio

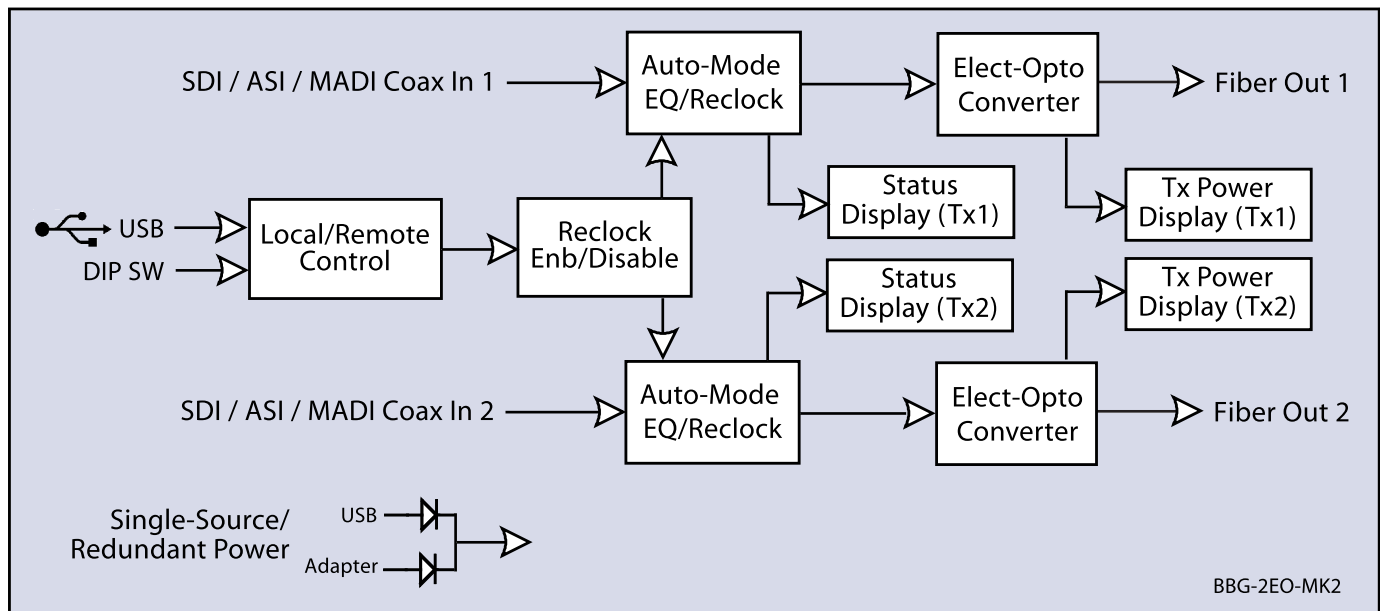
Compact size and low weight design easily affixes directly to camera or host device chassis. Optional BBG-MB mounting bracket provides rigid, secure mounting to mounting surfaces.

USB remote control/status in addition to device indicator and switches

SFP-based EO converters provide state-of-the-art fiber performance, power consumption, and compactness

Powers directly from host equipment USB or standard corded power adapter. USB power and corded adapter can be simultaneously used to provide redundant power sourcing.

Rugged construction backed with a five-year warranty



BBG-2EO-MK2



BBG-2EO-MK2 • 3G/HD/SD-SDI / ASI / MADI Fiber Optic Dual Transport Transmitter

SPECIFICATIONS

Power

5-16 VDC, 2.4 W
 DC Power Connectors
 USB Mini and coaxial locking connector (for use with supplied Cobalt power adapter)

Standards/Data Rates Supported

SMPTE 424M, 292M, 259M, 344M, 305M, DVB-ASI
 5Mbps to 3Gbps pathological pattern operation
 (does not support AES-3id audio or other standards using data rates < 5Mbps)

Inputs

(2) 75Ω BNCs. Reclocking automatically engaged for recognized signal standards; bypassed for unrecognized standards.
 Return Loss: >18 dBm up to 270 MHz

Outputs

(2) Fiber outputs. FC, ST, or LC connectors per ordered configuration (see Ordering Info)
 Wavelength: 1310 nm
 Power: -5.0 dBm (min)

Dimensions (WxHxD)

5.5" x 3" x 1" (including connector projections)
 (139 x 77 x 26 mm)

Operating Temperature Range

32°F to 122°F
 (0°C to 50°C)

Note: Specifications subject to change.

ORDERING INFORMATION

BBG-2EO-MK2-FC 3G/HD/SD-SDI / ASI / MADI Fiber Optic Dual Transport Transmitter (Type FC fiber connectors)

BBG-2EO-MK2-ST 3G/HD/SD-SDI / ASI / MADI Fiber Optic Dual Transport Transmitter (Type ST fiber connectors)

BBG-2EO-MK2-LC 3G/HD/SD-SDI / ASI / MADI Fiber Optic Dual Transport Transmitter (Type LC fiber connectors)

BBG-MB Mounting Bracket