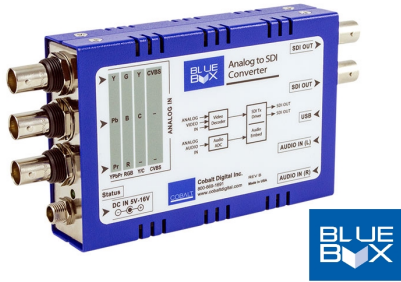


**BBG-A-TO-S • HD/SD Analog Component/Composite-To-HD/SD-SDI with Audio Embedder**



BlueBox™ offers excellent performance, and excels to a new level of ease of use and installation practicality.

The Blue Box **BBG-A-TO-S** can power directly via USB to get its power from video monitors or other equipment. Blue Box Analog to SDI offers CVBS SD or component SD/HD conversion to SDI using high-quality 12-bit A/D conversion, with SD line 21 closed-captioning passed onto the converted stream.

Full support of multiple analog standards such as SMPTE, Betacam™, MII, RGB, and S-video (Y/C) is provided. A stereo analog audio pair can be embedded onto embedded audio channels 1/2 with full 24-bit resolution.

**FEATURES**

Compact size and low weight design easily affixes directly to camera or host device chassis

High-quality 12-bit A/D conversion of NTSC/PAL YPbPr, RGB or S-Video/CVBS SD video to SMPTE 259M or SMPTE 292M

Passes line 21 closed-captioning for analog-to-SD-SDI conversions

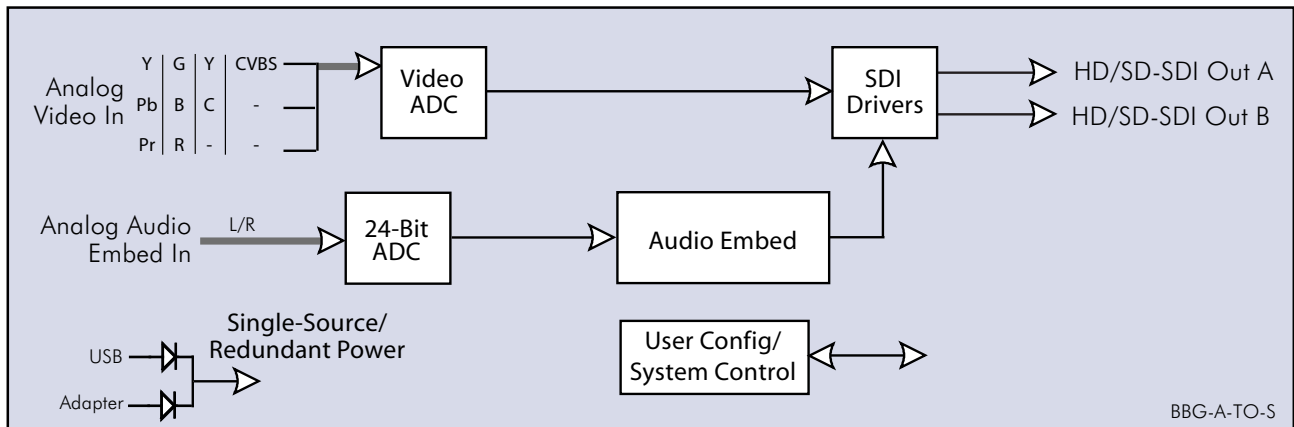
Stereo analog audio input embedding to embedded audio pair on SDI output

Small rugged portable standalone package ideal for portable installations

Powers directly from host equipment USB or standard corded power adapter. USB power and corded adapter can be simultaneously used to provide redundant power sourcing.

2x SDI DA output

Rugged construction backed with a five-year warranty



BBG-A-TO-S



**BBG-A-TO-S • HD/SD Analog Component/Composite-To-HD/SD-SDI with Audio Embedder****SPECIFICATIONS****Standards Supported**

SMPTE 259M, 292M

**Inputs**

- YPbPr, RGB, Y/C, CVBS analog video (75Ω BNCs)
- (2) analog audio (unbalanced consumer RCA)
- DC power (via USB or adapter)

**Outputs**

(2) SDI (75Ω BNCs)

**Audio Conversion Format**

48 kHz sampling, 24-bit

**Power Source**

Power-sourced directly from host equipment USB port. Converter can also be powered using corded AC adapter (included)

**Power**

5-16 VDC, 2.4 W

**DC Power Connectors**

USB Mini and coaxial locking connector (for use with supplied Cobalt power adapter)

**Dimensions (WxHxD)**5.5" x 3" x 1" (including connector projections)  
(139 x 77 x 26 mm)**ORDERING INFORMATION****BBG-A-TO-S** BlueBox™ Analog-to-SDI HD/SD Analog Component/Composite-to-HD/SD-SDI with Audio Embedder Converter Unit**BBG-MB** Mounting Bracket