

BBG-DA-12G-1x6 • 12G/6G/3G/HD/SD-SDI / ASI / MADI Reclocking Distribution Amplifier with Input Status LED



The **BBG-DA-12G-1x6** is a 12G/6G/3G/HD/SD-SDI / ASI / MADI multi-rate distribution amplifier that features an input status LED. The unit is fully automatic and supports SMPTE 2082-1 (12G), 424M (3G), 292M and 259M SDI video signals as well as ASI and MADI, and is equipped with one input and six reclocked SDI outputs. (Reclocking for 12G/6G/3G/HD/SD-SDI and MADI inputs; all other bit rates are non-reclocking.) The unit supports 1x4 ASI distribution using its non-inverting outputs.

Various settings can be configured using the device DIP switches or by using the intuitive **BBGConfig** UI application that communicates with BBG-DA-12G-1x6 over a PC's USB port. When configured using the BBGConfig UI app, the USB connection can be removed with all settings held in non-volatile device memory.

FEATURES

Six 12G/6G/3G/HD/SD equalized and reclocked outputs

1x4 ASI distribution capability

Input status LED indicator

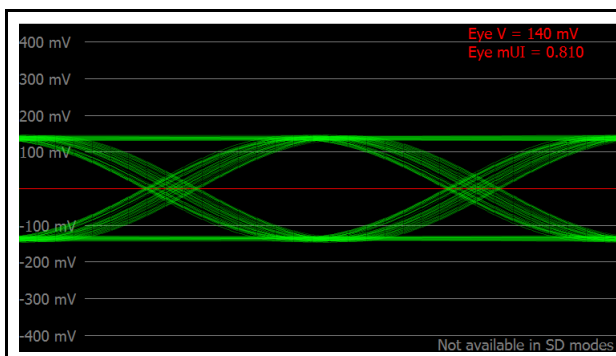
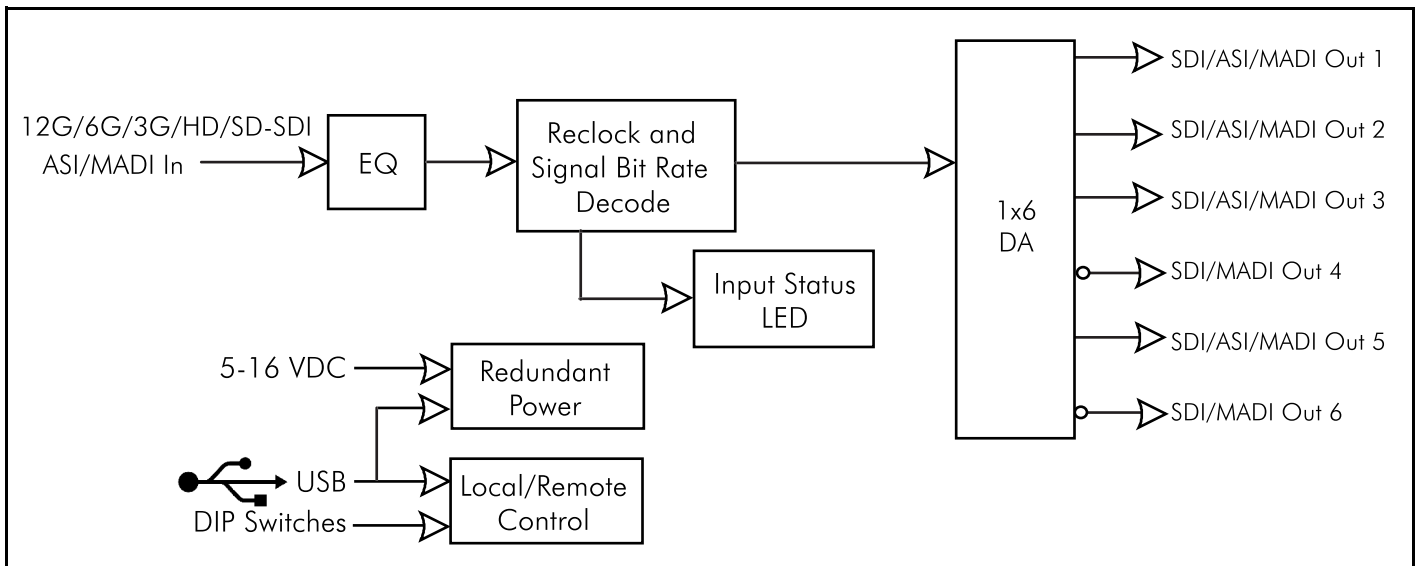
Configurable using device DIP switches or BBGConfig USB UI remote control

Auto-reclock for SMPTE 2082-1, 424M, 292M, 259M, and MADI

BBGConfig USB UI offers eye pattern display, showing real-time input signal condition/timing stability/jitter

Small rugged portable standalone package ideal for portable installations. Optional BBG-MB mounting bracket provides rigid, secure mounting to mounting surfaces.

Rugged construction backed with a five-year warranty



BBGConfig USB UI provides eye pattern display, showing real-time input signal condition/timing stability/jitter



BBG-DA-12G-1x6 • 12G/6G/3G/HD/SD-SDI / ASI / MADI Reclocking Distribution Amplifier with Input Status LED

SPECIFICATIONS

Power

<2 Watts; 5-16 VDC (compatible with Power Supply PS4 (North America) or PS5 (International). (See Ordering Information for details.)

12G/6G/3G/HD/SD-SDI / ASI / MADI Inputs

Number of inputs: 1

Impedance: 75Ω

SDI Formats Supported: SMPTE 2082-1, 424M, 292M, 259M

Other Formats Supported: ASI, MADI

Receive Performance; Equalized (Cable Length; Belden 1694A)

12 Gbps: 80m

3 Gbps: 160m

1.485 Gbps: 180m

143-360 Mbps: 400m

12G/6G/3G/HD/SD-SDI / ASI / MADI Outputs

Number of DA outputs: 6

Signal Level: 800 mV +/- 10%

DC Offset: 0.0V +/- 0.5V

Jitter 12 Gbps:

Alignment (<100 kHz) Jitter: < 0.3 UI

Timing (<10 Hz) Jitter: < 8 UI

Jitter 6 Gbps:

Alignment (<100 kHz) Jitter: < 0.3 UI

Timing (<10 Hz) Jitter: < 4 UI

Jitter 3 Gbps:

Alignment (<100 kHz) Jitter: < 0.3 UI

Timing (<10 Hz) Jitter: < 2 UI

Jitter 1.5 Gbps:

Alignment (<100 kHz) Jitter: < 0.2 UI

Timing (<10 Hz) Jitter: < 1 UI

Jitter 270 Mbps:

Alignment (<1 kHz) Jitter: < 0.2 UI

Timing (<10 Hz) Jitter: < 0.2 UI

Impedance: 75Ω

Dimensions (WxHxD)

5.8" x 2.9" x 1.1" (including connector projections)

(147 x 74 x 28 mm)

ORDERING INFORMATION

BBG-DA-12G-1x6 12G/6G/3G/HD/SD-SDI / ASI / MADI Reclocking Distribution Amplifier with Input Status LED

BBG-MB Mounting Bracket (see Product Downloads for downloading installation instruction sheet)

Note: Device includes one PS4 Power Supply (AC adapter). Power supplies listed below are for replacement or spares purposes:

- **PS4** Universal Power Supply, UL/CSA. Input: 100-240V, 60/50 Hz. Output: 5 VDC @ 12 Watts
- **PS5** Universal Power Supply, IEC Connector, CE/UL/CSA. Input: 100-240V, 60/50 Hz. Output: 5V, 2A (International Power Supply. Specify country of destination.)