

BBG-DE-AA • 3G/HD/SD Analog Audio De-Embedder



BlueBox™ offers excellent performance, and excels to a new level of ease of use and installation practicality. The BlueBox™ **BBG-DE-AA 3G/HD/SD Analog Audio De-Embedder** provides de-embedding to professional balanced audio at 0 dBFS to pro 24 dBu levels using full 24-bit conversion.

De-embed selection can be configured using the device DIP switches or by using an intuitive GUI application that communicates with BBG-DE-AA over a PC's USB port. The GUI app allows dynamic configuration control, status display, audio meters, tone generators, and other advanced control functions not commonly found on "throwdown" packages. When configured using the GUI app, the USB connection can be removed with all settings held in non-volatile device memory.

FEATURES

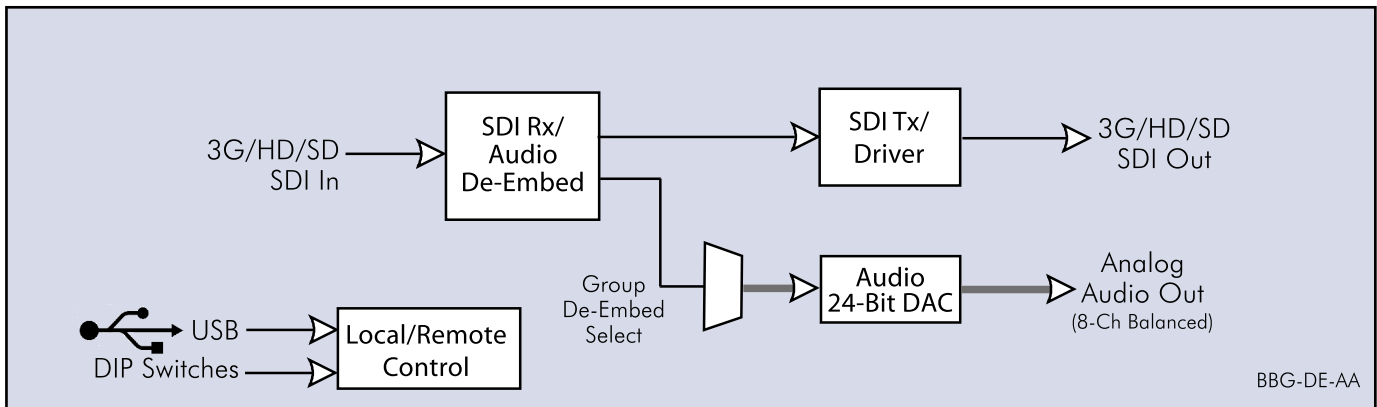
Eight balanced analog audio outputs with user-selectable direct de-embedding of groups 1 thru 4. DB-25 connector provides compact footprint. Balanced analog audio outputs can utilize direct connection to standard DB-25 connectors, or by using accessory DB-25/XLR breakout cable (available separately).

Configurable using device DIP switches or USB GUI remote control offering dynamic configuration control, status display, audio meters, tone generators, and other advanced control functions not commonly found on "throwdown" packages. USB GUI audio meters provide ready assessment of content presence and line-up.

Balanced audio de-embed with full 0 dBFS to 24 dBu 24-bit conversion

Small rugged portable standalone package ideal for portable installations. Compact size and low weight design easily affixes directly to host device chassis.

Rugged construction backed with a five-year warranty



BBG-DE-AA • 3G/HD/SD Analog Audio De-Embedder**SPECIFICATIONS****Power**

5-16 VDC, <5 W (AC adapter included)

DC Power Connector

Coaxial locking connector (for use with supplied Cobalt power adapter)

USB Port

Mini-USB (used for USB remote control connection and firmware upgrade upload to device)

Standards/Data Rates Supported

SMPTE 292M, 259M, 424M

Inputs/Outputs

3G/HD/SD-SDI In (75Ω BNC)

8-channel balanced analog audio output via DB-25 connector and XLR breakout adapter (available separately)

3G/HD/SD-SDI Out (75Ω BNC)

Audio Conversion Format

48 kHz sampling, 24-bit. Supports outputs up to 24 dBu.

Dimensions (WxHxD)

5.5" x 3" x 1" (including connector projections)

(139 x 77 x 26 mm)

ORDERING INFORMATION

BBG-DE-AA 3G/HD/SD Analog Audio De-Embedder (includes PS4 Power Supply AC adapter)

BBG-CA-110-XLRM DB-25 Male-to-8 XLR Male Connector Breakout Cable

BBG-MB Mounting Bracket

Note: The USB GUI application available for BBG-DE-AA is a free download (Windows Security Certified) that can be downloaded from our Support web page. Instructions for downloading and using the app are included in product documentation. The application is not required for device usage where only DIP switch configuration is desired.

Currently, this application is available for only the following operating systems:

- Windows Vista
- Windows 7
- Windows 8
- Windows 8.1
- Windows 10