

**BBG-EMDE-AES75 • 3G/HD/SD AES Audio Embedder/De-Embedder – AES-3id 75Ω (BNC)**



BlueBox™ offers excellent performance, and excels to a new level of ease of use and installation practicality. The BlueBox™ **BBG-EMDE-AES75** 3G/HD/SD AES Audio Embedder/De-Embedder provides full 16-channel embed and de-embed between AES and all four groups of embedded audio. Audio embed adaptive SRC allows asynchronous 48 kHz AES audio to automatically sync with device 48 kHz timing for glitch-free embedding. Individual, per-pair SRC auto-detects and disables SRC when a Dolby pair is detected on an input pair.

Embed/de-embed selection can be configured using the device DIP switches or by using an intuitive GUI application that communicates with BBG-EMDE-AES over a PC's USB port. The GUI app allows dynamic configuration control, status display, audio meters, tone generators, and other advanced control functions not commonly found on "throwdown" packages. When configured using the GUI app, the USB connection can be removed with all settings held in non-volatile device memory.

**FEATURES**

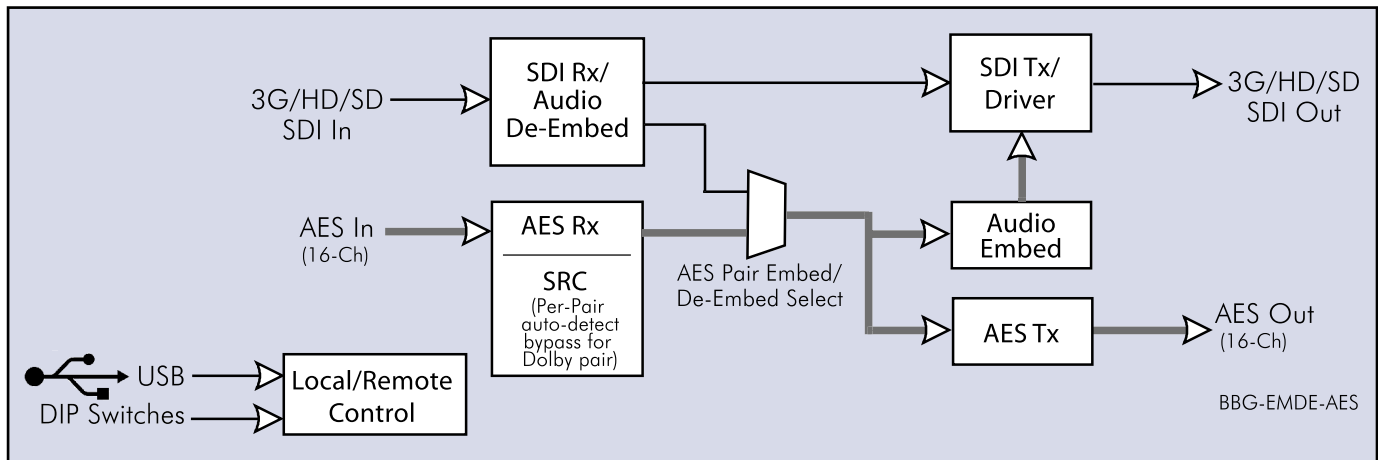
8-pair (16-channel) AES support. Individual per-pair embedding or de-embedding. Multi-pin AES I/O connector provides compact footprint. AES I/O can utilize direct connection to standard HD-15 connectors, or by using accessory BNC breakout cable (available separately).

Audio embed adaptive SRC allows asynchronous 48 kHz AES audio to automatically sync with device 48 kHz timing for glitch-free embedding. Individual, per-pair SRC auto-detects and disables SRC when a Dolby pair is detected on an input pair.

Configurable using device DIP switches or USB GUI remote control offering dynamic configuration control, status display, audio meters, tone generators, and other advanced control functions not commonly found on "throwdown" packages. USB GUI audio meters provide ready assessment of content presence and line-up.

Small rugged portable standalone package ideal for portable installations. Compact size and low weight design easily affixes directly to host device chassis.

Rugged construction backed with a five-year warranty



**BBG-EMDE-AES75 • 3G/HD/SD AES Audio Embedder/De-Embedder – AES-3id 75Ω (BNC)****SPECIFICATIONS****Power**

5-16 VDC, <5 W (AC adapter included)

**DC Power Connector**

Coaxial locking connector (for use with supplied Cobalt power adapter)

**USB Port**

Mini-USB (used for USB remote control connection and firmware upgrade upload to device)

**Standards/Data Rates Supported**

SMPTE 292M, 259M, 424M

**Inputs/Outputs**

3G/HD/SD-SDI In (75Ω BNC)

8-pair AES-3id

AES I/O via HD-15 connector and AES BNC breakout adapter (available separately)

3G/HD/SD-SDI Out (75Ω BNC)

**Audio Conversion Format**

48 kHz sampling, 24-bit. Supports outputs up to 24 dBu.

**Dimensions (WxHxD)**

5.5" x 3" x 1" (including connector projections)

(139 x 77 x 26 mm)

**ORDERING INFORMATION**

**BBG-EMDE-AES75** 3G/HD/SD AES Audio Embedder/De-Embedder; AES-3id 75Ω (BNC) AES I/O (includes PS4 Power Supply AC adapter)

**BBG-CA-75-BNCF** HD-15 Male-to-8 BNC Female Connector Breakout Cable (for use with model BBG-EMDE-AES75)

**BBG-MB** Mounting Bracket

**Note:** The USB GUI application available for BBG-EMDE-AES75 is a free download (Windows Security Certified) that can be downloaded from our Support web page. Instructions for downloading and using the app are included in product documentation. The application is not required for device usage where only DIP switch configuration is desired.

Currently, this application is available for only the following operating systems:

- Windows Vista
- Windows 7
- Windows 8
- Windows 8.1
- Windows 10