

BBG-E00E-12G 12G/6G/3G/HD/SD-SDI / ASI / MADI Fiber Optic Transport Transmitter



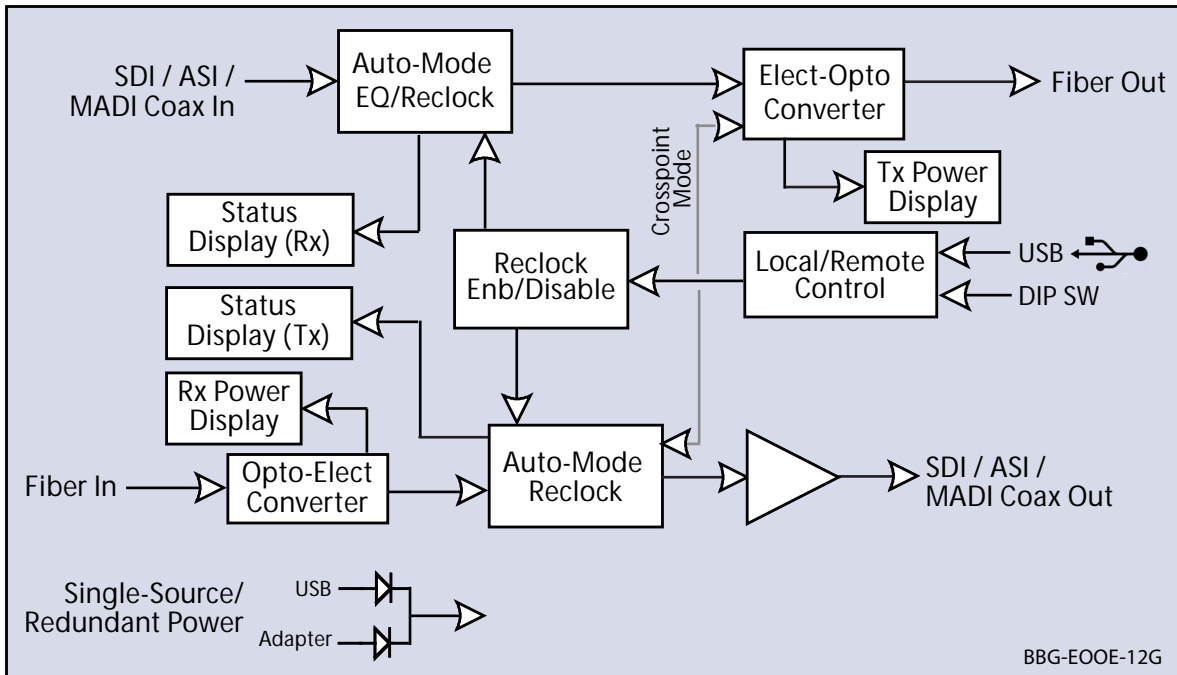
The Blue Box BBG-E00E-12G Coax/Fiber Transceiver throw-down converter unit is a new part of the BlueBox™ group of compact, rugged, and portable converter boxes. Super-easy to use, BBG-E00E-12G supports SMPTE ST2082, ST2081, 424M, 292M, and 259M as well as ASI and MADI audio on independent fiber-coax and coax-fiber paths. Auto-mode EQ/reclocking automatically sets to the signal type being received while allowing unrecognized formats to be safely passed without reclocking (auto-reclock can also be manually disabled for either path as desired). Its wide operating range (from 5Mbps to 12Gbps) flexibly supports most professional digital serial communications. Fully error-free pathological pattern operation is fully compatible with other professional fiber video interfaces. SFP-based EO and OE converters provide state-of-the-art fiber performance, power consumption, and compactness.

BBG-E00E-12G receives its operating power via a USB connection or using an AC adapter connection. These power sources can be simultaneously used to provide redundant power sourcing.

FEATURES

- Independent companion fiber Rx and Tx paths - all in one easy to use throw-down box. 4-mode crosspoint provides for numerous coax/fiber conversions and routing schemes.
- Full support of 5Mbps thru 12Gbps transport conversions, with seamless auto-mode reclocking. No switches to set for different payloads.
- Available with ST, LC, or FC fiber termination
- Dual-channel input lock status indicators. Optical Rx power meter fields allow optical Rx confidence assessment.
- Error-free pathological support.
- Compatible with SMPTE ST2082, ST2081, 424M, 292M, 259M, 310M, M2S, DVB-ASI, and MADI audio.

- Compact size and low weight design easily affixes directly to camera or host device chassis. Optional BBG-MB mounting bracket provides rigid, secure mounting to mounting surfaces.
- USB remote control/status in addition to device indicator and switches
- SFP-based OE converters provide state-of-the-art fiber performance, power consumption, and compactness
- Powers directly from host equipment USB or standard corded power adapter. USB power and corded adapter can be simultaneously used to provide redundant power sourcing.
- Rugged construction backed with a five-year warranty.



BBG-EOOE-12G 12G/6G/3G/HD/SD-SDI / ASI / MADI Fiber Optic Transport Transmitter

SPECIFICATIONS

Power

5-16 VDC, 2.4 W
 DC Power Connectors
 USB Mini and coaxial locking connector (for use with supplied Cobalt power adapter)

Standards/Data Rates Supported

SMPTE ST2082, ST2081, 424M, 292M, 259M, 344M, 305M, DVB-ASI
 5Mbps to 12Gbps pathological pattern operation
 (does not support AES-3id audio or other standards using data rates < 5Mbps)

Input (Fiber-to-Coax Path; Fiber Receive)

(1) Fiber output. FC, ST, or LC connectors per ordered configuration (see Ordering Info)
 Wavelength: 1260 to 1620 nm
 Sensitivity/Input Usable Range: -18 dBm min.; -1 dBm max

Output (Fiber-to-Coax Path; Fiber Receive)

(1) 75Ω BNC Reclocking automatically engaged for recognized signal standards; bypassed for unrecognized standards.
 Return Loss:>18 dBm up to 270 MHz

Input (Coax-to-Fiber Path; Fiber Transmit)

(1) 75Ω BNC
 Return Loss:>18 dBm up to 270 MHz

Output (Coax-to-Fiber Path; Fiber Transmit)

(1) Fiber output. FC, ST, or LC connectors per ordered configuration (see Ordering Info). Reclocking automatically engaged for recognized signal standards; bypassed for unrecognized standards.
 Wavelength: 1310 nm
 Power: -5.0 dBm (min)

Dimensions (WxHxD)

5.5" x 3" x 1" (Including connector projections)
 (139 x 77 x 26 mm)

Operating Temperature Range

32°F to 122°F
 (0°C to 50°C)

Note: Specifications subject to change.

ORDERING INFORMATION

BBG-E00E-12G-FC 12G/6G/3G/HD/SD-SDI / ASI / MADI Fiber Optic Transport Receiver (Type FC fiber connector)

BBG-E00E-12G-ST 12G/6G/3G/HD/SD-SDI / ASI / MADI Fiber Optic Transport Receiver (Type ST fiber connector)

BBG-E00E-12G-LC 12G/6G/3G/HD/SD-SDI / ASI / MADI Fiber Optic Transport Receiver (Type LC fiber connector)

BBG-TRAY BBG Mounting Sled (See BBG-TRAY page for full complement of throwdown BBG tray mounting accessories and illustrations.)

BBG-MB Mounting Bracket (see Product Downloads for downloading installation instruction sheet)

Note: Device includes one PS4 Power Supply (AC adapter). Power supplies listed below are for replacement or spares purposes:

• **PS4** Universal Power Supply, UL/CSA. Input: 100-240V, 60/50 Hz. Output: 5 VDC @ 12 Watts

• **PS5** Universal Power Supply, IEC Connector, CE/UL/CSA. Input: 100-240V, 60/50 Hz. Output: 5V, 2A (International Power Supply. Specify country of destination.)

Note: The USB GUI application available for BBG-E00E-12G is a free download (Windows Security Certified) that can be downloaded from our Support web page. Instructions for downloading and using the app are included in product documentation. The application is not required for device usage where only DIP switch configuration is desired.