

BBG-E00E-MK2 • 3G/HD/SD-SDI / ASI / MADI Fiber Optic Transport Transceiver



The Blue Box **BBG-E00E-MK2 Coax/Fiber Transceiver** throw-down converter unit is a new part of the BlueBox™ group of compact, rugged, and portable converter boxes. Super-easy to use, BBG-E00E-MK2 supports SMPTE 424M, 292M, and 259M as well as ASI and MADI audio on independent fiber-coax and coax-fiber paths. Auto-mode EQ/reclocking automatically sets to the signal type being received while allowing unrecognized formats to be safely passed without reclocking (auto-reclock can also be manually disabled for either path as desired). Its wide operating range (from 5Mbps to 3Gbps) flexibly supports most professional digital serial communications. Fully error-free pathological pattern operation is fully compatible with other professional fiber video interfaces. SFP-based EO and OE converters provide state-of-the-art fiber performance, power consumption, and compactness.

BBG-E00E-MK2 receives its operating power via a USB connection or using an AC adapter connection. These power sources can be simultaneously used to provide redundant power sourcing.

FEATURES

Independent companion fiber Rx and Tx paths – all in one easy to use throw-down box. 4-mode crosspoint provides for numerous coax/fiber conversions and routing schemes.

Full support of 5Mbps thru 3Gbps transport conversions, with seamless auto-mode EQ/reclocking. No switches to set for different payloads.

Available with ST, LC, or FC fiber termination

Compatible with SMPTE 424M, 292M, 259M, 310M, M2S, DVB-ASI, and MADI audio

Dual-channel input lock status indicators. Optical Tx and Rx power status fields allow optical Tx/Rx confidence assessment.

Error-free pathological support. Full compatibility with other BlueBox™ Coax/Fiber units and Cobalt 9400-series openGear® frame-installed fiber cards.

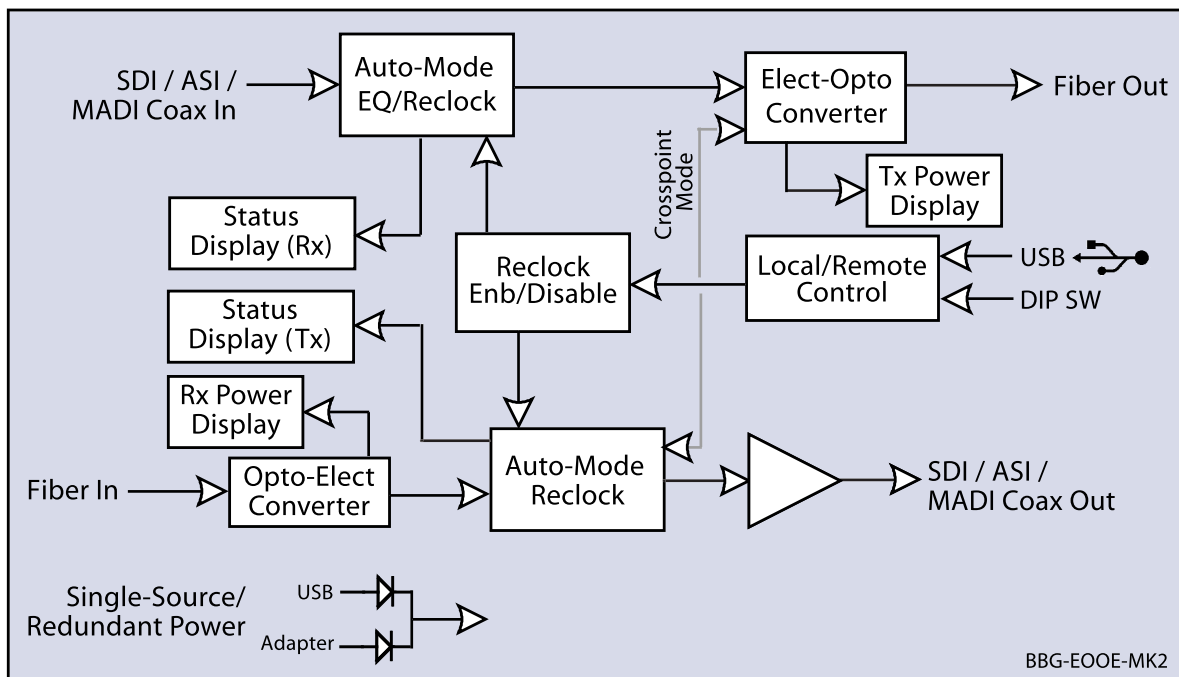
Compact size and low weight design easily affixes directly to camera or host device chassis. Optional BBG-MB mounting bracket provides rigid, secure mounting to mounting surfaces.

USB remote control/status in addition to device indicator and switches. USB BBGConfig app (free download) offers device alternate OEO mode.

SFP-based EO/OE converters provide state-of-the-art fiber performance, power consumption, and compactness

Powers directly from host equipment USB or standard corded power adapter. USB power and corded adapter can be simultaneously used to provide redundant power sourcing.

Rugged construction backed with a five-year warranty



BBG-E00E-MK2



BBG-E00E-MK2 • 3G/HD/SD-SDI / ASI / MADI Fiber Optic Transport Transceiver**SPECIFICATIONS****Power**

5-16 VDC, 2.4 W
 DC Power Connectors
 USB Mini and coaxial locking connector (for use with supplied Cobalt power adapter)

Standards/Data Rates Supported

SMPTE 424M, 292M, 259M, 344M, 305M, DVB-ASI
 5Mbps to 3Gbps pathological pattern operation
 (does not support AES-3id audio or other standards using data rates < 5Mbps)

Input (Fiber-to-Coax Path; Fiber Receive)

(1) Fiber input. FC, ST, or LC connectors per ordered configuration (see Ordering Info)
 Wavelength: 1260 to 1620 nm
 Sensitivity/Input Usable Range: -18 dBm min; -1dBm max

Output (Fiber-to-Coax Path; Fiber Receive)

(1) 75Ω BNC. Reclocking automatically engaged for recognized signal standards; bypassed for unrecognized standards.
 Return Loss: >18 dBm up to 270 MHz

Input (Coax-to-Fiber Path; Fiber Transmit)

(1) 75Ω BNC
 Return Loss: >18 dBm up to 270 MHz

Output (Coax-to-Fiber Path; Fiber Transmit)

(1) Fiber output. FC, ST, or LC connectors per ordered configuration (see Ordering Info). Reclocking automatically engaged for recognized signal standards; bypassed for unrecognized standards.
 Wavelength: 1310 nm
 Power: -5.0 dBm (min)

Dimensions (WxHxD)

5.5" x 3" x 1" (including connector projections)
 (139 x 77 x 26 mm)

Operating Temperature Range

32°F to 122°F
 (0°C to 50°C)

Note: Specifications subject to change.

ORDERING INFORMATION

BBG-E00E-MK2-FC 3G/HD/SD-SDI / ASI / MADI Fiber Optic Transport Transceiver (Type FC fiber connectors)

BBG-E00E-MK2-ST 3G/HD/SD-SDI / ASI / MADI Fiber Optic Transport Transceiver (Type ST fiber connectors)

BBG-E00E-MK2-LC 3G/HD/SD-SDI / ASI / MADI Fiber Optic Transport Transceiver (Type LC fiber connectors)

BBG-MB Mounting Bracket

Note: The USB GUI application available for BBG-E00E-MK2 is a free download (Windows Security Certified) that can be downloaded from our Support web page. Instructions for downloading and using the app are included in product documentation. The application is not required for device usage where only DIP switch configuration is desired.