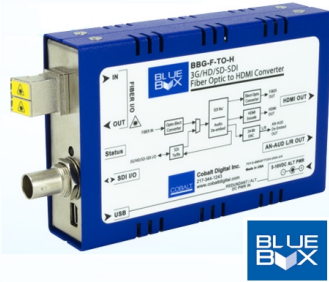


BBG F-TO-H • 3G/HD/SD-SDI Fiber Optic-To-HDMI Converter



The Blue Box™ **BBG F-TO-H Fiber-To-HDMI** throw-down converter unit is a new part of the Blue Box Group™ of compact, rugged, and portable converter boxes. BBG F-TO-H offers a compact throwdown unit that provides direct fiber-to-HDMI conversion and much more.

The flexible built-in crosspoint and flexible I/O allows BBG-F-TO-H to also act as a fiber regen while providing an HDMI output. The HDMI output can be set to instead provide a DVI-D output directly compatible with computer monitors. The BBG-F-TO-H also can receive a coax SDI input (SMPTE 259M, 292M, and 424M) and in turn provide an HDMI and a fiber output. BBG F-TO-H can also provide a coax SDI output while converting fiber to HDMI. A convenience stereo analog audio de-embed output is also provided.

BBG-F-TO-H can be configured using the device DIP switches or by using an intuitive GUI application that communicates with BBG-F-TO-H over a PC's USB port. The GUI app allows dynamic configuration control, status display, and other advanced control functions not commonly found on "throwdown" packages. When configured using the GUI app, the USB connection can be removed with all settings held in non-volatile device memory.

FEATURES

Flexible crosspoint and multiple inputs/outputs provide fiber-To-HDMI, SDI-To-fiber, and fiber regen conversions. HDMI output can be set as DVI-D for direct connection to computer monitors.

Direct conversion to HDMI from SMPTE 259M, 292M and 424M SDI

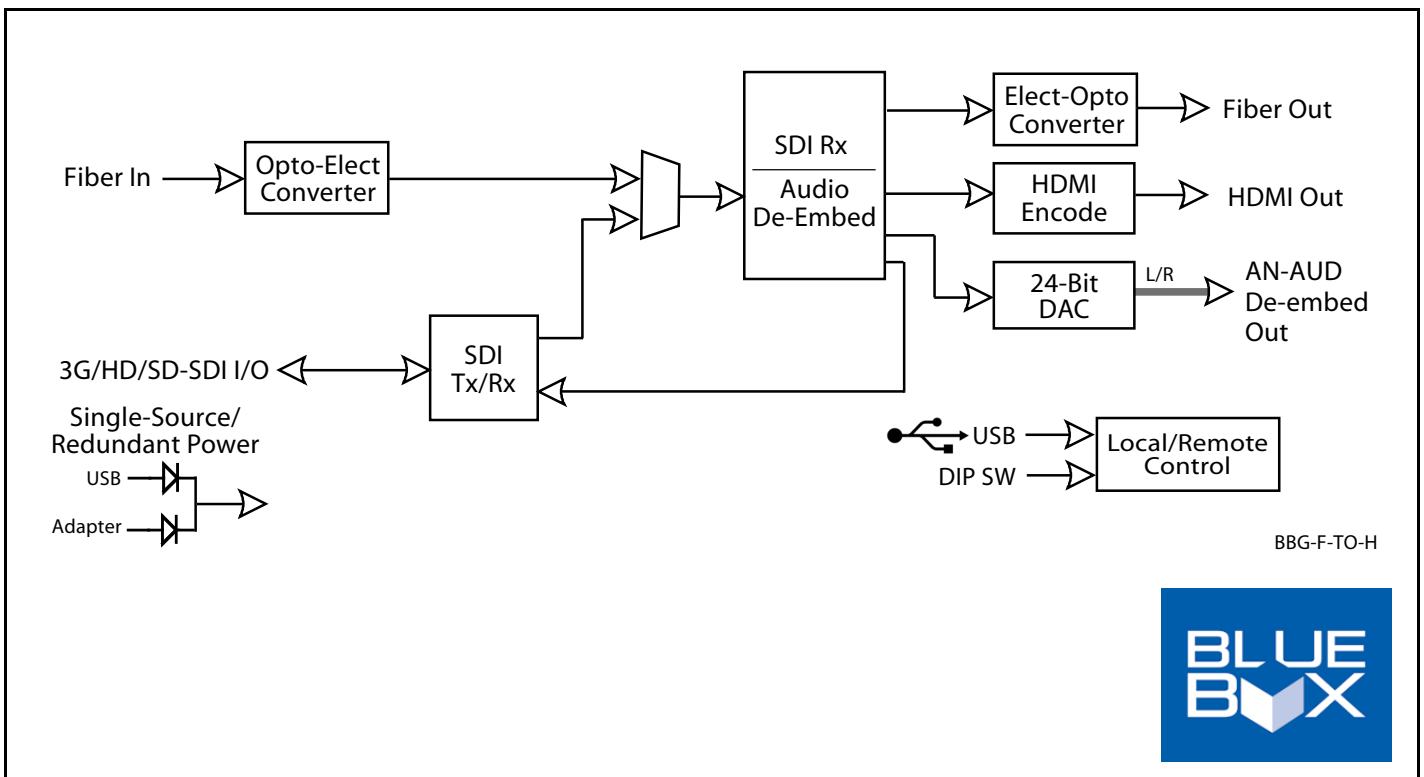
Powers directly from host equipment USB or standard corded power adapter. USB power and corded adapter can be simultaneously used to provide redundant power sourcing.

Configurable using device DIP switches or USB GUI remote control offering dynamic configuration control, status display, and other advanced control functions not commonly found on "throwdown" packages

Compact size and low weight design easily affixes directly to camera or host device chassis

Singlemode fiber link distance >10 km (3Gbps), >20 km (1.5Gbps), and >35 km (270Mbps). Multimode typically >200 m.

Rugged construction backed with a five-year warranty



BBG F-TO-H • 3G/HD/SD-SDI Fiber Optic-To-HDMI Converter

SPECIFICATIONS

Standards Supported

SMPTTE 259M, 292M, 424M

Inputs/Outputs

- (1) Fiber input. FC, ST, or LC connectors per ordered configuration (see Ordering Info)
- (1) Fiber regen output. FC, ST, or LC connectors per ordered configuration (see Ordering Info)
- (1) SDI I/O (mode user selectable)
- (1) HDMI output (HDMI 1.4a compliant). HDMI output can be set as DVI-D (limited to SMPTE HD formats).
- (1) Stereo analog audio out (L/R unbalanced pair via 3.5mm TRS jack)

Audio Conversion Format

48 kHz sampling, 24-bit
8-Ch HDMI to SDI groups 1 and 2

Power Source

Power-sourced directly from host equipment USB port. Converter can also be powered using corded AC adapter (included)

Power

5-16 VDC, 2.4 W
DC Power Connectors
USB Mini and coaxial locking connector (for use with supplied Cobalt power adapter)

USB Port

Mini-USB (used for power source, USB remote control connection, and firmware upgrade upload to device)

Dimensions (WxHxD)

5.5" x 3" x 1" (including connector projections)
(139 x 77 x 26 mm)

Operating Temperature Range

32°F to 122°F
(0°C to 50°C)

ORDERING INFORMATION

BBG-F-TO-H-FC 3G/HD/SD-SDI Fiber Optic-To-HDMI Converter (Type FC fiber connectors)

BBG-F-TO-H-ST 3G/HD/SD-SDI Fiber Optic-To-HDMI Converter (Type ST fiber connectors)

BBG-F-TO-H-LC 3G/HD/SD-SDI Fiber Optic-To-HDMI Converter (Type LC fiber connectors)

BBG-MB Mounting Bracket (see Product Downloads for downloading installation instruction sheet)

Note: The USB GUI application available for BBG F-TO-H is a free download (Windows Security Certified) that can be downloaded from our Support web page. Instructions for downloading and using the app are included in product documentation. The application is not required for device usage where only DIP switch configuration is desired.

Currently, this application is available for only the following operating systems:

- Windows Vista
- Windows 7
- Windows 8
- Windows 8.1
- Windows 10