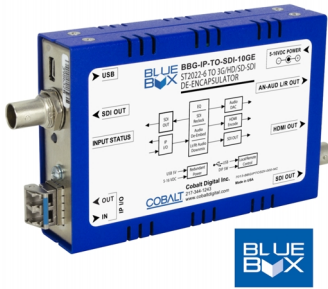


BBG-IP-TO-SDI-10GE • SMPTE 2022-6 To 3G/HD/SD-SDI De-Encapsulator with SDI, HDMI, and Stereo Analog Audio Monitoring Outputs



The Blue Box **BBG-IP-TO-SDI-10GE** SMPTE 2022-6 To 3G/HD/SD-SDI De-Encapsulator with SDI, HDMI, and Stereo Analog Audio Monitoring Outputs is a part of the Blue Box Group™ of compact, rugged, and portable converter boxes. BBG-IP-TO-SDI-10GE offers a compact throwdown unit that provides the flexibility of IP-to-SDI de-encapsulation as well as providing an HDMI output, two reclocked SDI coax outputs, and a convenience analog stereo de-embed monitor pair with built-in Lt/Rt downmixer. The 10GigE host connection can be used directly with 10GigE video switches and routers.

BBG-IP-TO-SDI-10GE can be configured using the device DIP switches or by using an intuitive GUI application that communicates with BBG-IP-TO-SDI-10GE over a PC's USB port. The GUI app allows dynamic configuration control, status display, and other advanced control functions not commonly found on "throwdown" packages. When configured using the GUI app, the USB connection can be removed with all settings held in non-volatile device memory.

FEATURES

ST 2022-6 (HBRMT), ST-424, ST-292, and ST-259 compliant

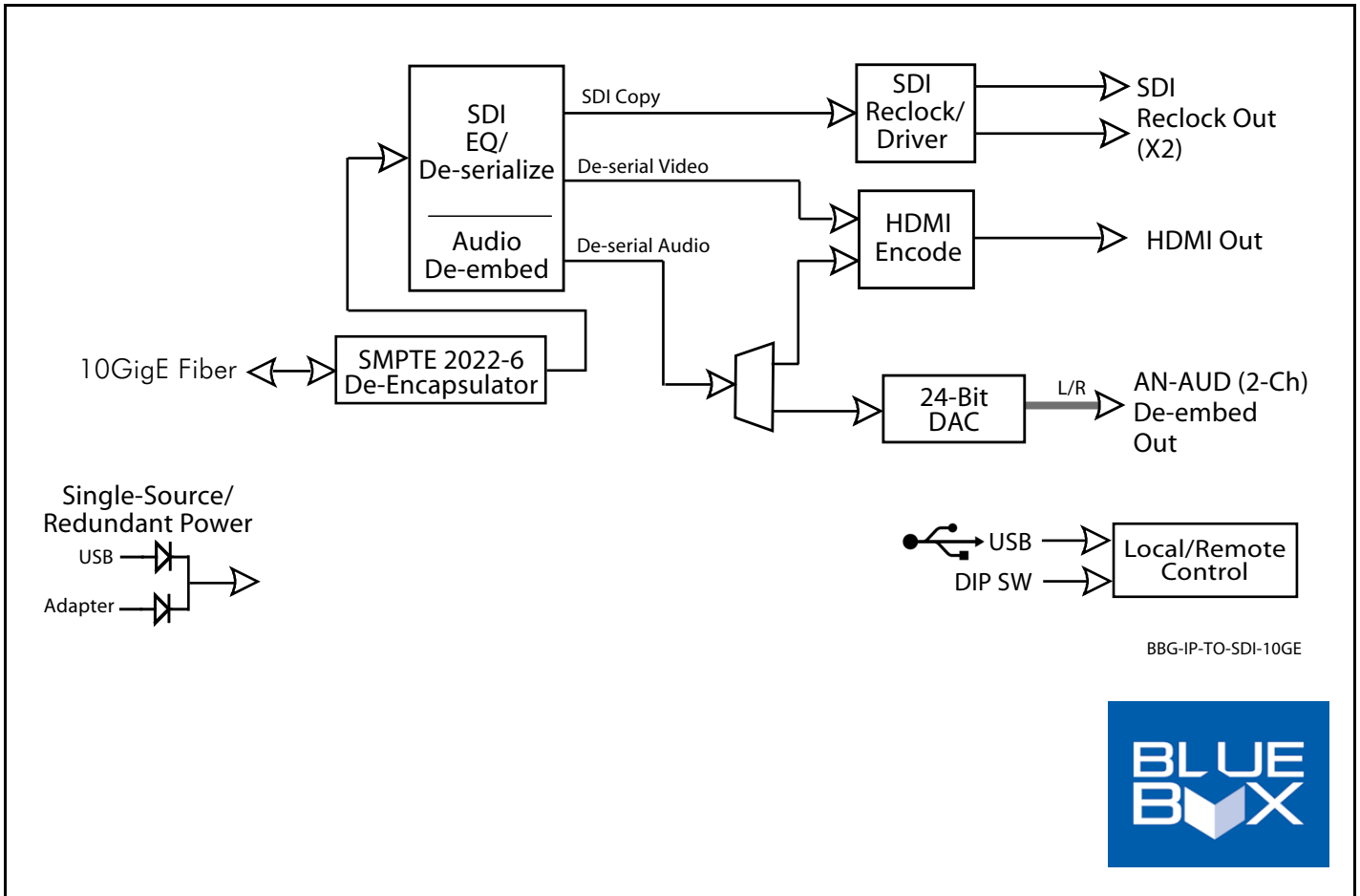
Powers directly from host equipment USB or standard corded power adapter. USB power and corded adapter can be simultaneously used to provide redundant power sourcing.

Stereo analog audio monitoring output with Lt/Rt downmixer

Configurable using device DIP switches or USB GUI remote control offering dynamic configuration control, status display, and other advanced control functions not commonly found on "throwdown" packages

Compact size and low weight design easily affixes directly to camera or host device chassis

Rugged construction backed with a five-year warranty



BBG-IP-TO-SDI-10GE • SMPTE 2022-6 To 3G/HD/SD-SDI De-Encapsulator with SDI, HDMI, and Stereo Analog Audio Monitoring Outputs

SPECIFICATIONS

Standards Supported

SMPTE 259M, 292M, 424M, ST 2022-6 (HBRMT), ST-424, ST-292, and ST-259

Inputs/Outputs

(1) GigE Fiber I/O; Multi-Mode; LC connectors
(2) 3G/HD/SD-SDI 75Ω BNC outputs
Fiber Wavelength, Tx: 1310 nm
Tx Power: -5.0 dBm (min)
(1) HDMI output (HDMI 1.4a compliant). HDMI output can be set as DVI-D (limited to SMPTE HD formats).
(1) Stereo analog audio out (L/R unbalanced pair via 3.5mm TRS jack)
SDI Formats Supported: SMPTE 259M, SMPTE 292M, SMPTE 424M

Audio Conversion Format

48 kHz sampling, 24-bit
8-Ch HDMI from SDI groups 1 and 2

Power Source

Power-sourced directly from host equipment USB port. Converter can also be powered using corded AC adapter (included)

Power

5-16 VDC, 2.4 W

DC Power Connectors

USB Mini and coaxial locking connector (for use with supplied Cobalt power adapter)

USB Port

Mini-USB (used for power source, USB remote control connection, and firmware upgrade upload to device)

Dimensions (WxHxD)

5.5" x 3" x 1" (including connector projections)
(139 x 77 x 26 mm)

Operating Temperature Range

32°F to 122°F
(0°C to 50°C)

ORDERING INFORMATION

BBG-IP-TO-SDI-10GE SMPTE 2022-6 To 3G/HD/SD-SDI De-Encapsulator with SDI, HDMI, and Stereo Analog Audio Monitoring Outputs

BBG-MB Mounting Bracket (see Product Downloads for downloading installation instruction sheet)

Note: The USB GUI application available for BBG-IP-TO-SDI-10GE is a free download (Windows Security Certified) that can be downloaded from our Support web page. Instructions for downloading and using the app are included in product documentation. The application is not required for device usage where only DIP switch configuration is desired.

Currently, this application is available for only the following operating systems:

- Windows Vista
- Windows 7
- Windows 8
- Windows 8.1
- Windows 10