

BBG-OE-12G 12G/6G/3G/HD/SD-SDI / ASI / MADI Fiber Optic Transport Transmitter



The Blue Box BBG-OE-12G Fiber-To-Coax throw-down converter unit is a part of the Blue Box Group™ of compact, rugged, and portable converter boxes. Super-easy to use, BBG-OE-12G supports SMPTE ST2082, ST2081, 424M, 292M, and 259M as well as ASI and MADI audio. Auto-mode EQ/reclocking automatically sets to the signal type being received while allowing unrecognized formats to be safely passed without reclocking (auto-reclock can also be manually disabled). Its wide operating range (from 5Mbps to 12Gbps) flexibly supports most professional digital serial communications. Fully error-free pathological pattern operation is fully compatible with other professional fiber video interfaces. An SFP-based OE converter provides state-of-the-art fiber performance, power consumption, and compactness.

BBG-OE-12G receives its operating power via a USB connection or using an AC adapter connection. These power sources can be simultaneously used to provide redundant power sourcing.

FEATURES

Full support of 5Mbps thru 12Gbps transport conversions, with seamless auto-mode EQ/ reclocking. No switches to set for different payloads.

Compatible with SMPTE ST2082, ST2081, 424M, 292M, 259M, 310M, M2S, DVB-ASI, and MADI audio.

Input lock status indicator. Optical Rx power meter field allows optical Rx confidence assessment.

Error-free pathological support.

Compact size and low weight design easily affixes directly to camera or host device chassis. Optional BBG-MB mounting bracket provides rigid, secure mounting to mounting surfaces.

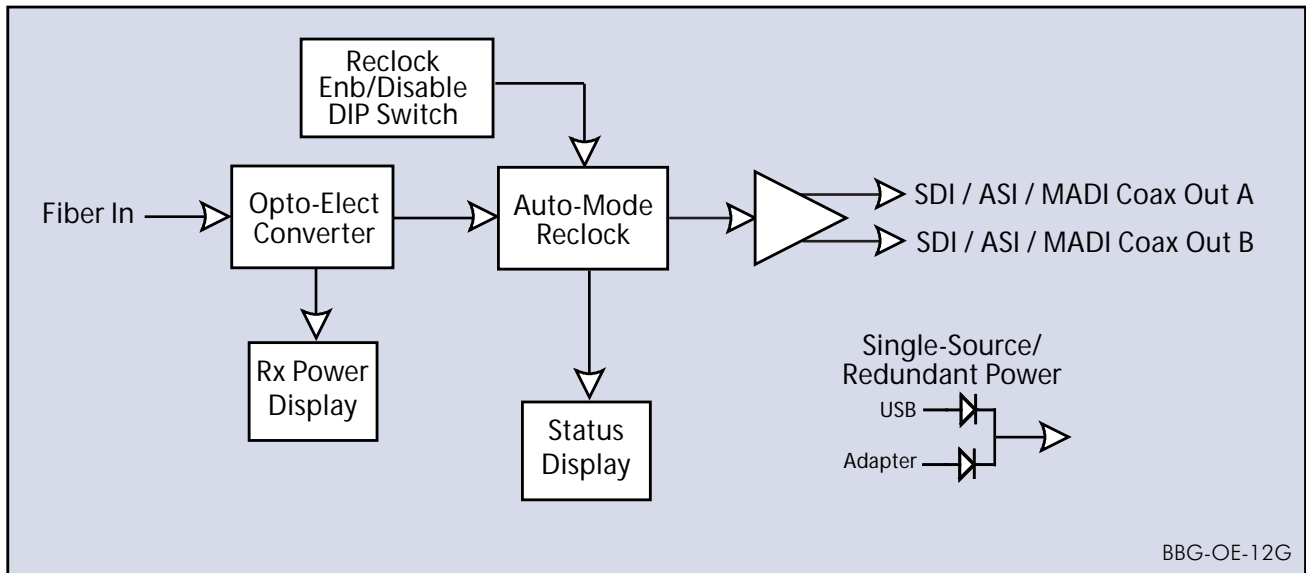
SFP-based OE converter provides state-of-the-art fiber performance, power consumption, and compactness.

Available with ST, LC, or FC fiber termination

Dual buffered/reclocked coax BNC outputs

Powers directly from host equipment USB or standard corded power adapter. USB power and corded adapter can be simultaneously used to provide redundant power sourcing.

Rugged construction backed with a five-year warranty.



BBG-OE-12G 12G/6G/3G/HD/SD-SDI / ASI / MADI Fiber Optic Transport Transmitter

SPECIFICATIONS

Power

5-16 VDC, 2.4 W
 DC Power Connectors
 USB Mini and coaxial locking connector (for use with supplied Cobalt power adapter)

Standards/Data Rates Supported

SMPTE ST2082, ST2081, 424M, 292M, 259M, 344M, 305M, DVB-ASI
 5Mbps to 12Gbps pathological pattern operation
 (does not support AES-3id audio or other standards using data rates < 5Mbps)

Input

(1) Fiber output. FC, ST, or LC connectors per ordered configuration (see Ordering Info)
 Wavelength: 1260 to 1620 nm
 Sensitivity/Input Usable Range: -18 dBm min.; -1 dBm max

Outputs

(2) 75Ω BNC Reclocking automatically engaged for recognized signal standards; bypassed for unrecognized standards.
 Return Loss:>18 dBm up to 270 MHz

Dimensions (WxHxD)

5.5" x 3" x 1" (including connector projections)
 (139 x 77 x 26 mm)

Operating Temperature Range

32°F to 122°F
 (0°C to 50°C)

Note: Specifications subject to change.

ORDERING INFORMATION

BBG-OE-12G-FC 12G/6G/3G/HD/SD-SDI / ASI / MADI Fiber Optic Transport Receiver (Type FC fiber connector)

BBG-OE-12G-ST 12G/6G/3G/HD/SD-SDI / ASI / MADI Fiber Optic Transport Receiver (Type ST fiber connector)

BBG-OE-12G-LC 12G/6G/3G/HD/SD-SDI / ASI / MADI Fiber Optic Transport Receiver (Type LC fiber connector)

BBG-TRAY BBG Mounting Sled (See BBG-TRAY page for full complement of throwdown BBG tray mounting accessories and illustrations.)

BBG-MB Mounting Bracket (see Product Downloads for downloading installation instruction sheet)

Note: Device includes one PS4 Power Supply (AC adapter). Power supplies listed below are for replacement or spares purposes:

- **PS4** Universal Power Supply, UL/CSA. Input: 100-240V, 60/50 Hz. Output: 5 VDC @ 12 Watts
- **PS5** Universal Power Supply, IEC Connector, CE/UL/CSA. Input: 100-240V, 60/50 Hz. Output: 5V, 2A (International Power Supply. Specify country of destination.)