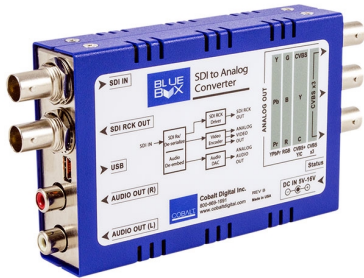


BBG-S-TO-A • HD/SD-SDI-To-HD/SD Analog Component/Composite with Audio De-Embedder



BlueBox™ offers excellent performance, and excels to a new level of ease of use and installation practicality.

The Blue Box **BBG-S-TO-A** can power directly via USB to get its power from video monitors or other equipment. Blue Box SDI to Analog passes line 21 closed-captioning for SD conversions, and can be set to provide to provide SMPTE, Betacam™, MII, or RGB component outputs using an easy to use DIP switch. S-video or 3x DA CVBS output modes are also provided for SD streams.

Group 1 and 2 stereo pairs can be de-embedded from SDI and outputted via an analog audio output line-level pair.

FEATURES

Rugged construction backed with a five-year warranty

Passes line 21 closed-captioning for SD-SDI to analog conversions

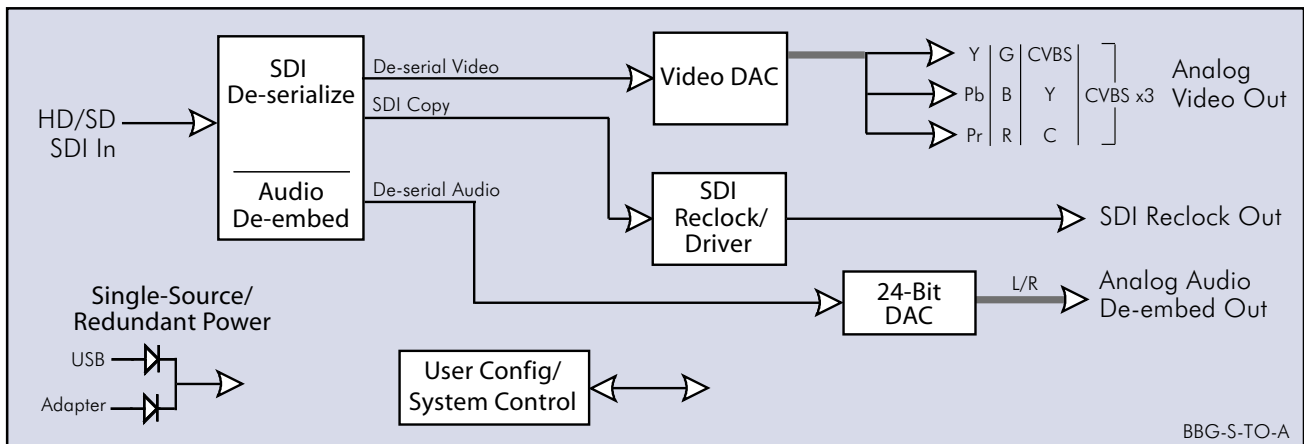
De-embedding from selectable embedded pair to stereo analog audio outputs

Offers conversions to several component and composite standards

SDI input copy output allows converter to provide SDI pass-thru

Compact size and low weight design easily affixes directly to camera or host device chassis

Powers directly from host equipment USB or standard corded power adapter. USB power and corded adapter can be simultaneously used to provide redundant power sourcing.



BBG-S-TO-A



BBG-S-TO-A • HD/SD-SDI-To-HD/SD Analog Component/Composite with Audio De-Embedder

SPECIFICATIONS

Standards Supported

SMPTE 259M, 292M

Inputs

SDI (75Ω BNC)
DC power (via USB or adapter)

Outputs

YPbPr, RGB, Y/C, or CVBS analog video (75Ω BNCs)
SDI reclocked input copy (75Ω BNC)
(2) analog audio (unbalanced consumer RCA)

Audio Conversion Format

48 kHz sampling, 24-bit

Power

5-16 VDC, 2.4 W

DC Power Connectors

USB Mini and coaxial locking connector (for use with supplied Cobalt power adapter)

Dimensions (WxHxD)

5.5" x 3" x 1" (including connector projections)
(139 x 77 x 26 mm)

Operating Temperature Range

-13°F to 149°F
(-25°C to 65°C)

ORDERING INFORMATION

BBG-S-TO-A HD/SD-SDI-to-HD/SD Analog Component/Composite with Audio De-Embedder Converter Unit

BBG-MB Mounting Bracket