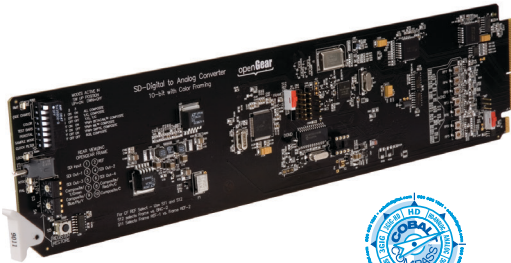
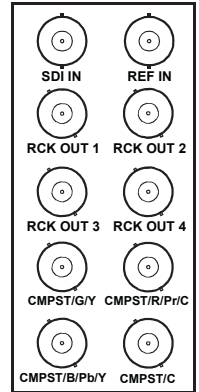


9011 » STANDARD DEFINITION D/A 10-BIT SDI TO ANALOG COMPOSITE, Y/C AND COMPONENT

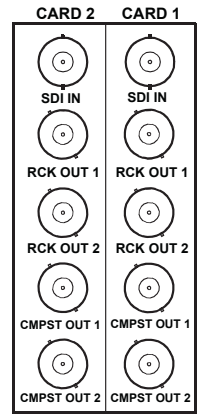


The 9011 provides 10-bit SD-SDI (SMPTE 259M-C)-to-analog video conversion with a variety of simultaneously available output formats: analog composite, Y/C, YPbPr, and RGB. When used with an “-A/S” (split) rear module, the space-saving design of the 9011 provides for high density, allowing two cards to be collocated in the same frame space normally occupied by a single card.

The 10-bit encoding engine oversamples 4:2:2 to 4:4:4 for internal processing, and then 4x oversamples the outputs to 16:16:16 for improved signal performance. An internal VCXO with de-jitter loop filter to 2Hz reduces digital jitter prior to encoding, improving burst stability on composite and Y/C signals. A reference circuit color frames the 9011 for timed environments with full user proc control.



RM20-9011-A



RM20-9011-A/S

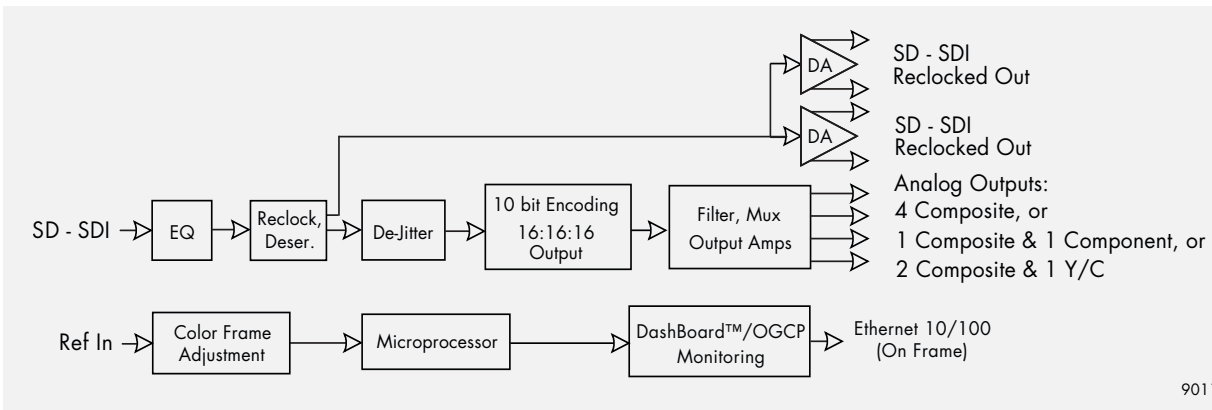
» FEATURES

- 10-bit digital to analog conversion
- Four user configurable analog outputs: composite, component, (YPbPr and RGB) and Y/C outputs
- Supports component BetaCam™, MII™ and SMPTE/N10

- Encoding to 16:16:16 over sampled outputs
- 10-bit digital video path
- Internal de-jitter filter to 2Hz
- Four reclocked SDI outputs

- Internal color bar generator
- User configuration switches on board edge
- User proc control of video levels

- Remote monitoring via DashBoard™ software or OGCP-9000 remote control panels
- Five year warranty



9011

» SPECIFICATIONS

Electrical	
Power:	6 watts
SD-SDI Input	
Number of Inputs:	1
Standard:	SMPTE 259M
SD-SDI Outputs	
Number of Outputs:	4 Reclocked

SD Analog Outputs	
Number of Outputs:	4 composite or 2 composite with Y/C or 1 composite/component or RGB
Output Jitter	
Internal digital de-jitter filter to 2Hz	
D/A Process	
4x or 2x over-sampled (16:16:16 or 8:8:8)	

Frequency Response	
5 MHz +/- 0.15 dB, 0-6.75 MHz +/- 0.25 dB	
SNR	
> 70 dB	
Proc Control	
Digital control of gain, DC, saturation and phase, filtering, gamma correction and DNR	

» ORDERING INFORMATION

9011 Standard Definition D/A 10-bit SDI to Analog Composite, Y/C and Component

RM20-9011-A 20-Slot Frame Rear I/O Module (Standard Width) SDI Input, 4 Reclocked SDI Outputs, 4 Analog Outputs (Composite, Component, Y/C)

RM20-9011-A/S 20-Slot Frame Rear I/O Module (Split) Dual SDI Input, 2 Reclocked SDI Outputs per card, 2 Analog Outputs per card

