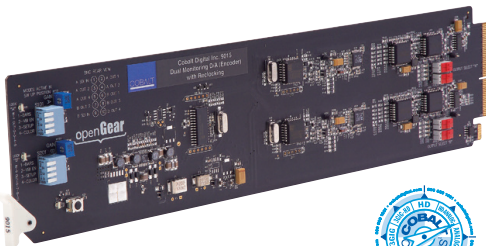


9015 » DUAL MONITORING CONVERTER SDI TO ANALOG COMPOSITE

with Reclocked SDI



The 9015 is a dual SDI video-to-analog composite and relocked SDI converter. Analog or digital output configuration can be selected as needed for a particular application. The 9015 has two digital-to-analog encoders (A and B SDI to analog encoders). Each encoder has four outputs that can be user-configured as analog or relocked SDI on an output-by-output basis. Composite output gain control and user configurations are adjustable using the card-edge controls.

» FEATURES

Two conversions on one card (SDI-SMPTE 259M-C)

8-bit data path, 10-bit DAC
Automatic configuration NTSC/PAL

Video gain control accessible on card edge

VBI blanking on/off

Four user selectable composite or SDI outputs per converter

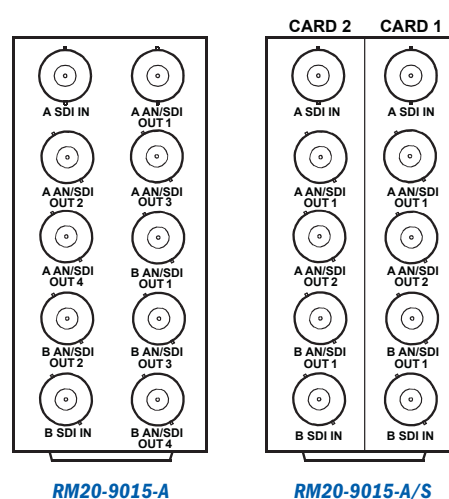
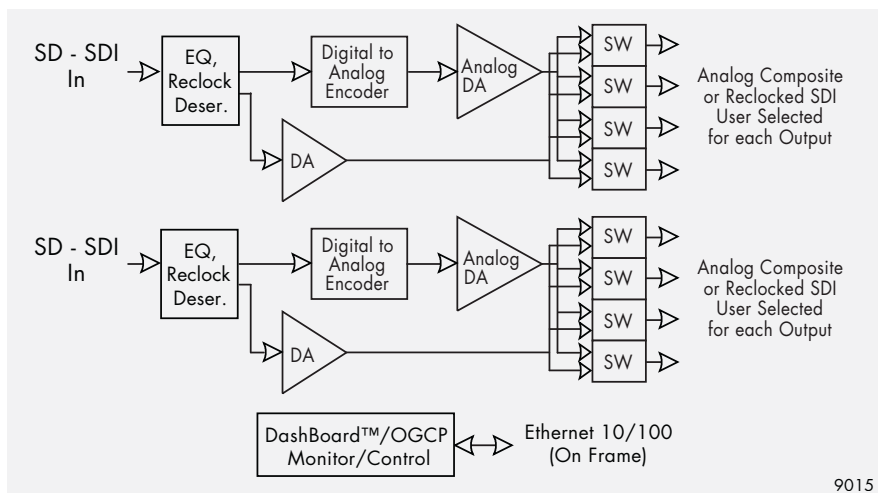
Built-in color bar generator (analog outputs only)

Color encoding user selectable to B&W

Remote control/monitoring via DashBoard™ software or OGCP-9000 remote control panel

Data-lock indicator

Five year warranty



» SPECIFICATIONS

Electrical

Power: 5 watts

Outputs

Number of Outputs: 4 "A" channel outputs; configurable as analog composite or relocked SDI
4 "B" channel outputs; configurable as analog

Setup

User selectable on/off for NTSC

SD-SDI Inputs

Number of Inputs: 2
Standard: SMPTE 259M-C

Indicators

2 data lock indicators (one per converter)

» ORDERING INFORMATION

9015 Dual Monitoring Converter - SDI to Analog Composite with Relocked SDI

RM20-9015-A 20-Slot Frame Rear I/O Module (Standard Width) Dual SDI In, 4 Outputs per Input (switchable between Composite or Relocked SDI)

RM20-9015-A/S 20-Slot Frame Rear I/O Module (Split) Dual SDI In, 3 Outputs (switchable between Composite or Relocked SDI) per card

