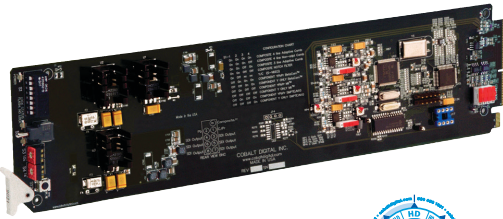
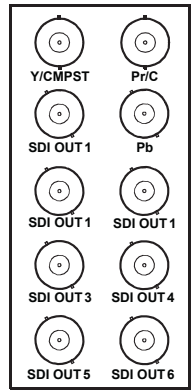


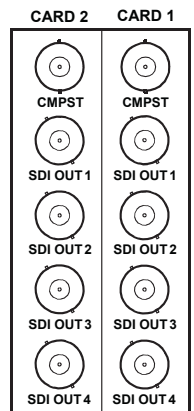
9021 » STANDARD DEFINITION A/D ANALOG COMPOSITE, Y/C, COMPONENT TO 10-BIT SDI



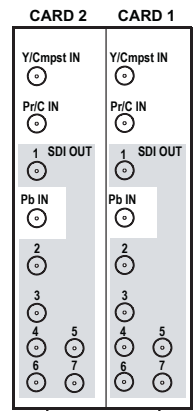
The 9021 provides 10-bit analog-to-SDI conversion for NTSC and PAL SD conversions. When used with an “-A/S” (split) rear module, the space-saving design of the 9021 provides for high density, allowing two cards to be collocated in the same frame space normally occupied by a single card. The 9021 accepts composite, Y/C and component YPbPr analog input signals and provides an SMPTE 259M-C 270 Mbps SDI output. Differential inputs are included for common mode noise rejection. A 4-, 3-, or 2-line comb or notch filter is user-configurable for Y/C separation in composite mode. All modes have 2X 8:4:4 input oversampling. An output jitter VCXO reduces 270 Mbps jitter down to 2 Hz. Full video proc control with user memory allows adjustment of white level, black level, color gain, and color phase.



RM20-9021-A



RM20-9021-A/S



RM20-9021-B/S-DIN-HDBNC

» FEATURES

Composite, component YPbPr and Y/C inputs

Supports component BetaCam™, MII™ and SMPTE/N10

Differential analog video inputs for power hum rejection

10-bit A to D and digital video path

User selectable (on/off) 75Ω termination

4 or 3-line adaptive comb filter for composite mode

Seven 270 Mbit SDI outputs

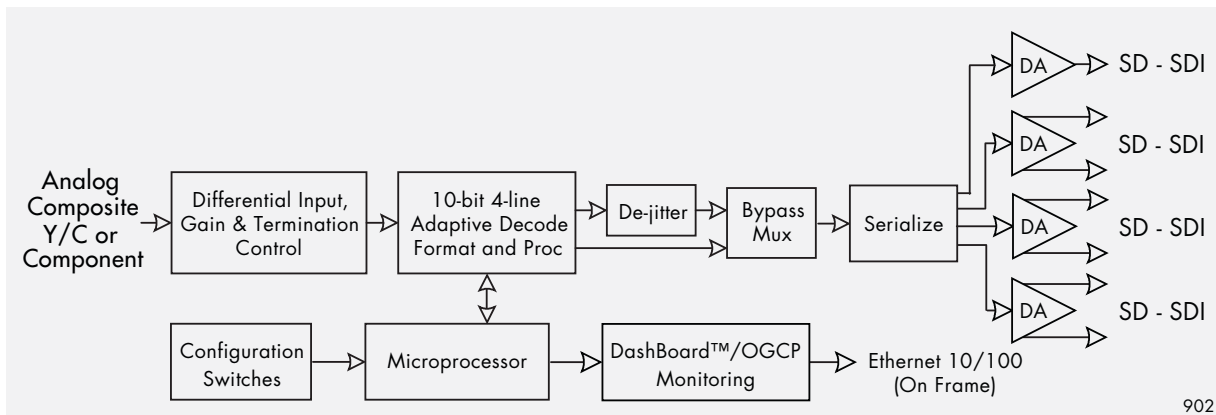
Internal color bar generator

User proc. configuration control

Manual or automatic input gain control

Remote monitoring via Dashboard™ software or OGCP-9000 remote control panel

Five year warranty



» SPECIFICATIONS

Electrical
Power: 7 watts

Input
SD Composite, Y/C or Component (YPbPr); differential

SD-SDI Outputs-Outputs
Number of Outputs: 7
Standard: SMPTE 259M-C

Analog Gain
Auto or manual mode

Output Jitter
< 0.14 UI measured with color bar input

A/D Process
8:4:4 2X over sampled

Frequency Response
5 MHz +/- 0.25 dB

SNR
> 52 dB

Comb Filter
4, 3 or 2-line adaptive / non-adaptive (user selectable)

» ORDERING INFORMATION

9021 Standard Definition A/D (Composite, Y/C, or Component Input) to 10-bit SD-SDI

RM20-9021-A 20-Slot Frame Rear I/O Module (Standard Width) Composite, Component and Y/C Inputs, 7 Converted SDI Outputs

RM20-9021-A/S 20-Slot Frame Rear I/O Module (Split) Dual Composite In, 4 SDI Outputs per card

RM20-9021-B/S-HDBNC 20-Slot Frame Rear I/O Module (Split, High Density) Composite, Component and Y/C Inputs, 7 SDI Outputs (per card; all connectors HD-BNC)

RM20-9021-B/S-DIN 20-Slot Frame Rear I/O Module (Split, High Density) Composite, Component and Y/C Inputs, 7 SDI Outputs (per card; all connectors DIN 1.0/2.3)

