

9241 » ANALOG AUDIO DISTRIBUTION AMPLIFIER



The 9241 is an analog audio distribution amplifier with up to eight low-impedance outputs designed for broadcast use. It can be used as either a mono or two-channel (stereo) audio DA. The 9241 can provide eight copies of a single (mono) input signal or four copies each of a two (stereo) inputs.

The 9241 can also sum two channels for creating a mono mix. It can also detect dead-air silence and set an alarm when no audio is present.

» FEATURES

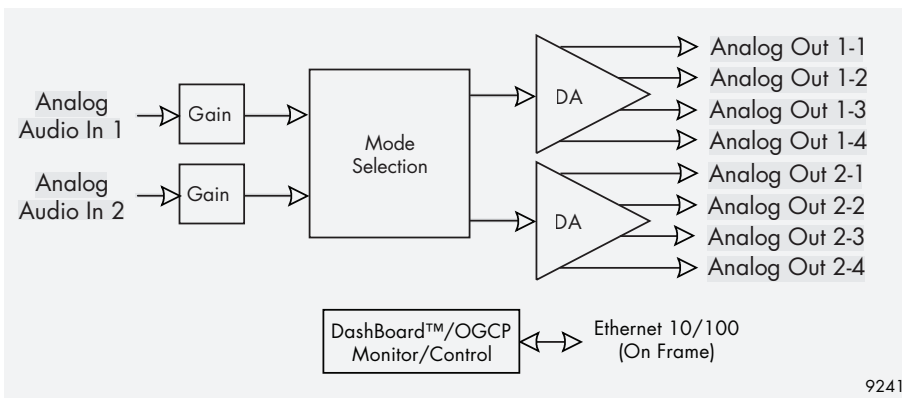
Handles mono or stereo signals

Has summing capability

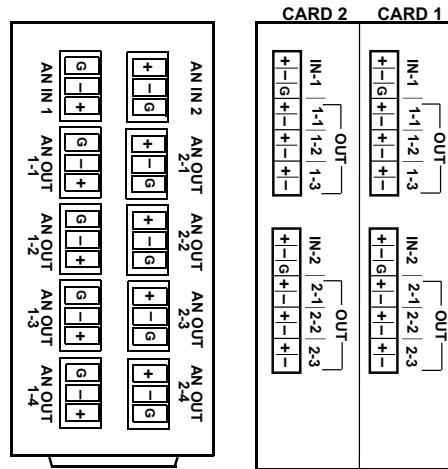
Silence detection

Remote control/monitoring via DashBoard™ software or OGCP-9000 remote control panel

Five year warranty



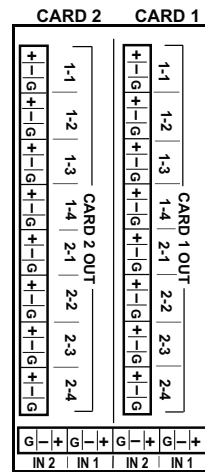
9241



RM20-9241-B

Note: Outputs 2-1 thru 2-3 are outputs 1-4 thru 1-6 when card used in mono DA or mono mix DA mode.

RM20-9241-C/S



Note: Outputs 2-1 thru 2-4 are outputs 1-5 thru 1-8 when card used in mono DA or mono mix DA mode.

RM20-9241-D/S

» SPECIFICATIONS

Electrical

Power: 3 watts

Analog Audio Input

Number of inputs: 2 balanced
 Impedance: >20 k balanced
 Max Level: +27.5 dBu
 Common Mode Rejection: >80 dB, 20 Hz to 20 kHz

Performance

Freq. Response: >0.1 dB at 20 Hz to 20 kHz
 Gain: -14 dB to +18 dB cont. variable
 Harmonic Dist: <0.01%
 SNR: > 95 dBu

Analog Audio Output

Number of Outputs: 8
 Impedance: 60 balanced
 Max Level: +26 dBu



» ORDERING INFORMATION

9241 Analog Audio Distribution Amplifier, 1 X 8 Mono or 1 X 4 Stereo, with Summing Control

RM20-9241-B 20-Slot Frame Rear I/O Module (Standard Width) 2 Differential Analog Audio In, 8 Differential Analog Audio Outs

RM20-9241-C/S 20-Slot Frame Rear I/O Module (Split) Dual 1x3 Differential Analog Audio In/Out (per card)

RM20-9241-D/S 20-Slot Frame Rear I/O Module (Split) Dual 1x4 Differential Analog Audio In/Out (per card)