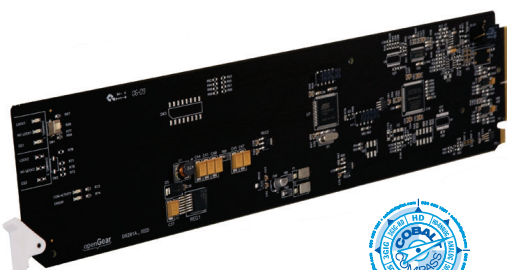


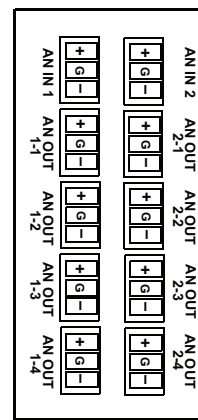


# 9242 » ANALOG AUDIO DISTRIBUTION AMPLIFIER WITH REMOTE GAIN CONTROL



The 9242 Analog Audio Distribution Amplifier with Remote Gain Control is a broadcast-quality balanced analog audio DA with stereo 2x4, mono 1x8, and stereo sum L+R x 8 selectable output modes. Unlike most analog audio DAs, the 9242 electronic attenuators allow overall gain (stereo ganged) and per-channel trim (offset) via DashBoard™ remote control.

The space-saving design and very low power consumption of the 9242 provides for high density, allowing two cards to be collocated in adjacent slots and served by a single, standard-width “split” rear module.



**Note:** + / G / - orientation on connectors varies from that on other Cobalt products. Make certain hookup is as shown here.

RM20-9242-B

## » FEATURES

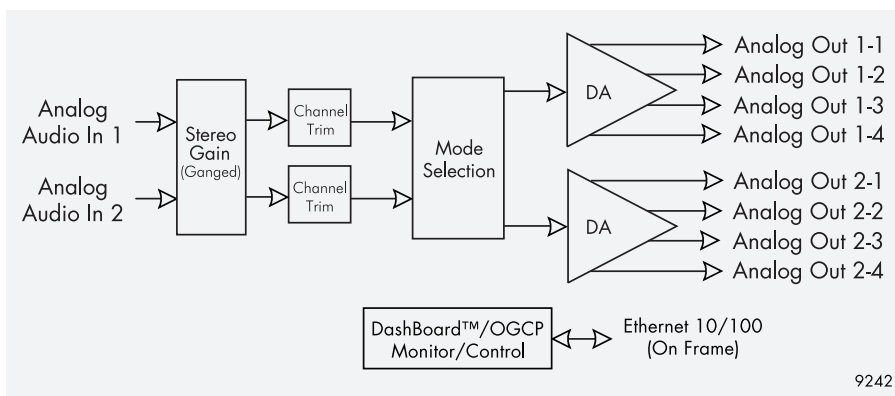
Full remote control of operating mode and gain control

Multiple modes – stereo 2x4, mono 1x8, and stereo sum L+R x 8 outputs

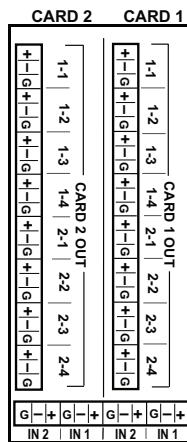
Full broadcast-grade balanced signal capability with 27.5 dBu maximum input level support. Low-impedance outputs.

Selectable card switch control or DashBoard™ remote control (usable with DashBoard™ and Cobalt OGCP-9000 remote control panels)

Five year warranty

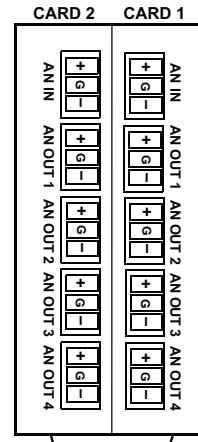


9242



**Note:** Outputs 2-1 thru 2-4 are outputs 1-5 thru 1-8 when card used in mono DA or mono mix DA mode.

RM20-9242-D/S



**Note:** + / G / - orientation on connectors varies from that on other Cobalt products. Make certain hookup is as shown here.

RM20-9242-C/S



## » SPECIFICATIONS

### Electrical

Power: < 5 Watts

### Analog Audio Input

Number of Inputs: Two, balanced  
 Impedance: > 20 k , balanced  
 Maximum Input Level: +27.5 dBu  
 Connector Type: WECCO® removable modular

### Performance

Gain: -15 dB to +15 dB  
 Frequency Response: 20 – 20 kHz ±0.1 dB  
 Noise: < -85 dBu, 10 – 22 kHz at unity gain  
 Harmonic Distortion: < 0.01%

### Analog Audio Outputs

Number of Outputs: Eight, balanced; available as stereo 2x4, mono 1x8, and stereo sum L+R x 8 outputs  
 Impedance: 60 , balanced  
 Output Isolation: > 60 dB  
 Connector Type: WECCO® removable modular

## » ORDERING INFORMATION

**9242** Analog Audio Distribution Amplifier with Remote Gain Control

**RM20-9242-B** 20-Slot Frame Rear I/O Module (Standard Width) 2 Balanced Analog Audio In, 8 Balanced Analog Audio Out

**RM20-9242-C/S** 20-Slot Frame Rear I/O Module (Split) 1x4 Balanced Analog Audio I/O (per card)

**RM20-9242-D/S** 20-Slot Frame Rear I/O Module (Split) Dual 1x4 Balanced Analog Audio I/O (per card)